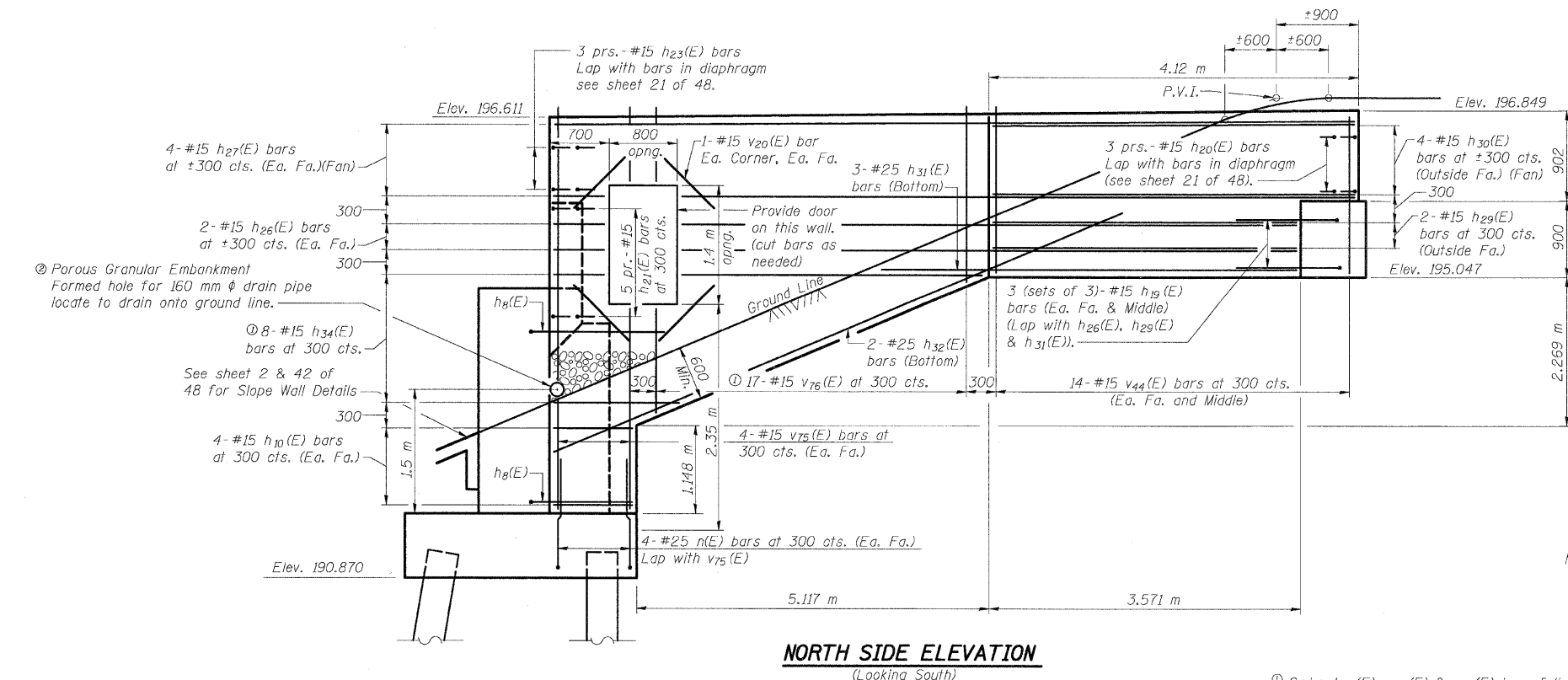
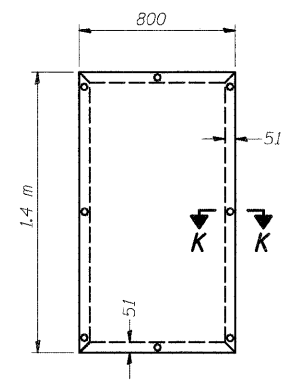


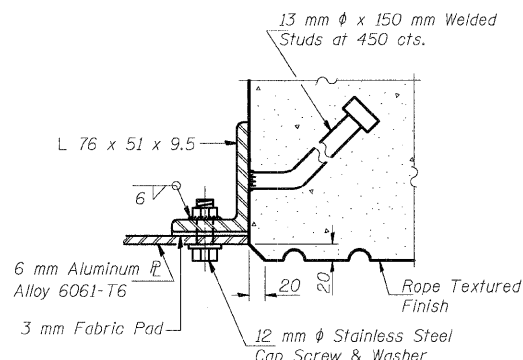
ROUTE NO.	SECTION	COUNTY	DATE SHEETS	SHEET NO.
S.B. 1 F.A.P. 310	*	MADISON	239 162	48 SHEETS
FED. ROAD DIST. NO. 7		ILL. DIST. NO.	FED. AID PROJECT	
* 60-15HB-1 CONTRACT NO. 76635				



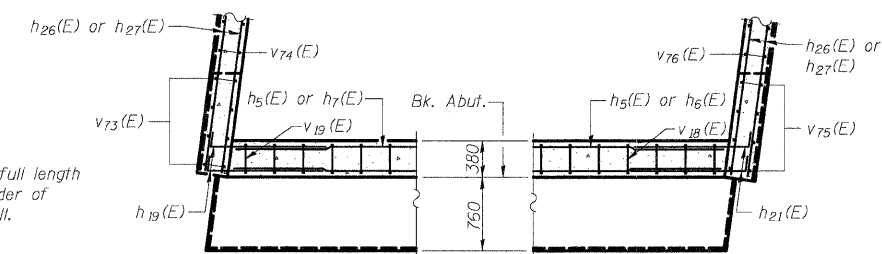
NORTH SIDE ELEVATION
(Looking South)



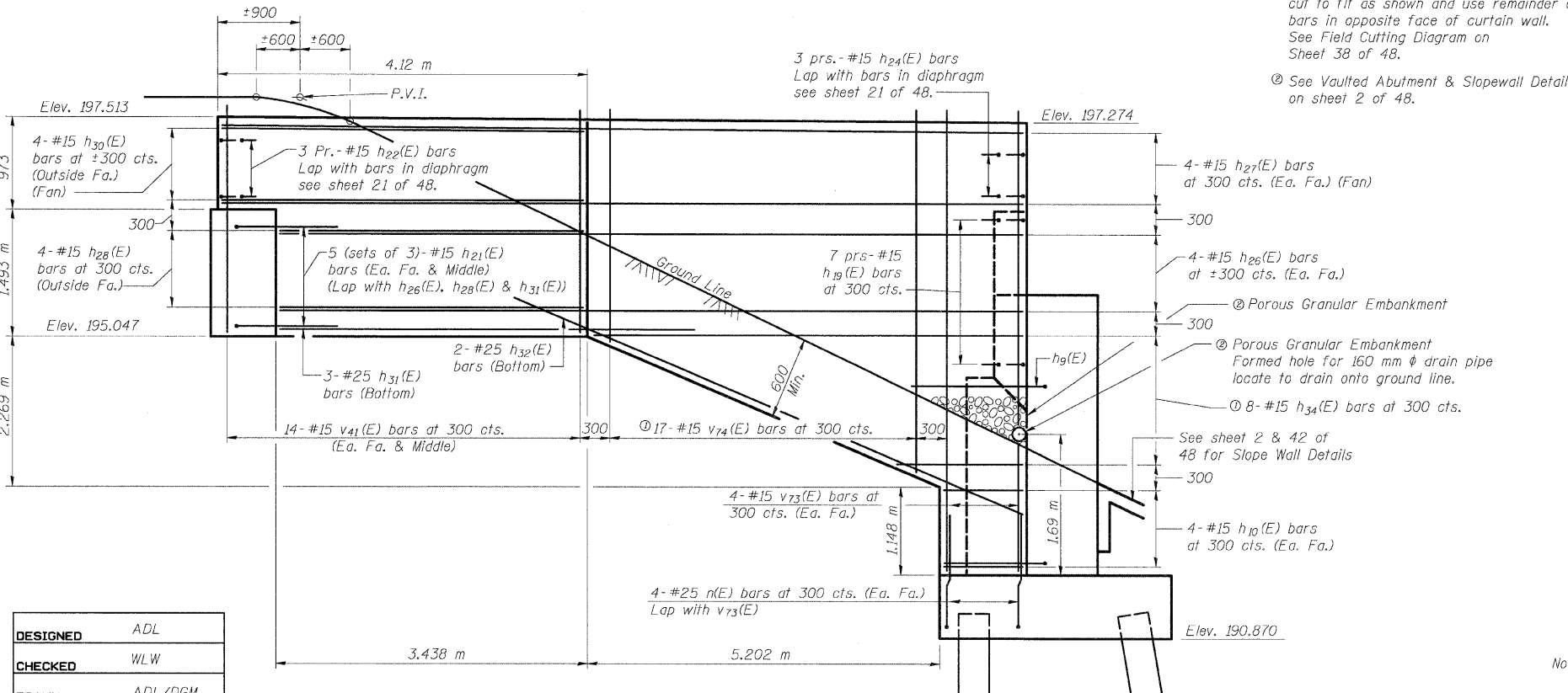
DOOR ELEVATION
Cost of door and frame are included with "Concrete Structures".



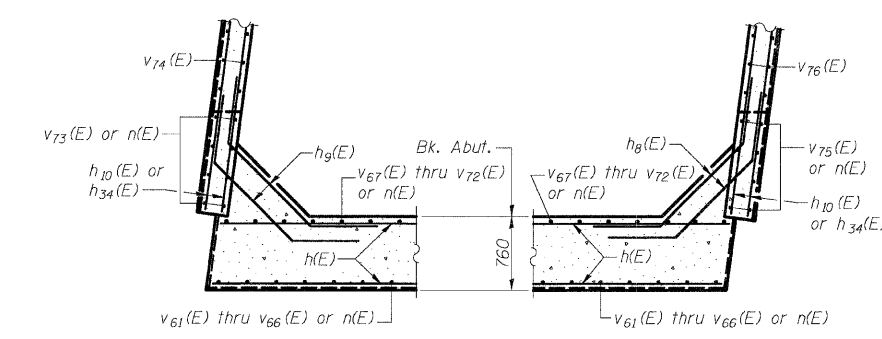
SECTION K-K



SECTION J-J



SOUTH SIDE ELEVATION
(Looking North)



SECTION I-I

DESIGNED	ADL
CHECKED	WLW
DRAWN	ADL/DGM
CHECKED	WLW

- ① Order h34(E), v74(E) & v76(E) bars full length cut to fit as shown and use remainder of bars in opposite face of curtain wall. See Field Cutting Diagram on Sheet 38 of 48.
- ② See Vaulted Abutment & Slopewall Detail on sheet 2 of 48.

Note:
Work this sheet with sheets 38 & 39 of 48.

**S.B. WEST ABUTMENT (3 OF 3)
FAP RTE. 310 (IL RTE. 255) OVER
CH ROUTE 4 (HUMBERT ROAD)
SECTION 60-15HB-1
MADISON COUNTY
STATION 38+829.909
SN 060-0308 (NB) & 060-0309 (SB)**