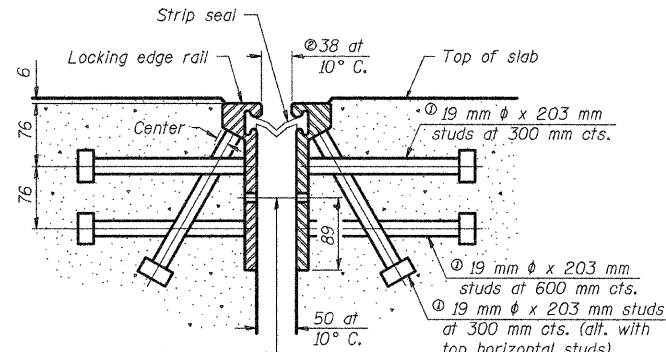


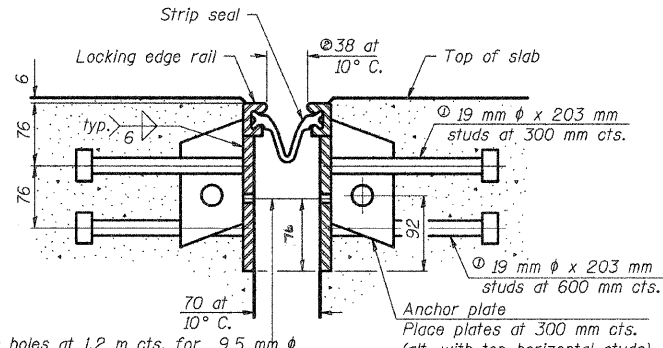
ROUTE NO.	SECTION	COUNTY	DATE	SHEET
F.A.P. 310	*	MADISON	239	165
* 60-15HB-1 CONTRACT NO. 76635				

- ① Granular or solid flux filled headed studs conforming to Article 1006.32 of the Std. Specs., automatically end welded.
- ② When joint is fixed, dimension is set at 38 mm.



11 mm  $\phi$  holes at 1.2 m cts. for 9.5 mm  $\phi$  bolts. All bolts shall be burned, sawed, or chipped off flush with the plates after forms are removed, typ.

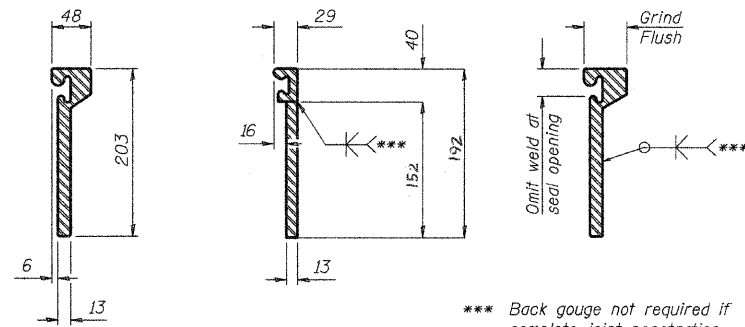
**SECTION THRU ROLLED RAIL JOINT**



11 mm  $\phi$  holes at 1.2 m cts. for 9.5 mm  $\phi$  bolts. All bolts shall be burned, sawed, or chipped off flush with the plates after forms are removed, typ.

**SECTION THRU WELDED RAIL JOINT**

**Notes:**  
The strip seal shall be made continuous and shall have a minimum thickness of 6 mm. The configuration of the strip seal shall match the configuration of the Locking Edge Rails. Open or "webbed" strip seal gland configurations are not permitted. The gland shall be sized for a maximum rated movement of 102 mm. The height and thickness of the Locking Edge Rails shown are minimum dimensions. The actual configuration of the Locking Edge Rails and matching strip seal may vary from manufacturer to manufacturer. Flanged edge rails will not be allowed. Locking Edge Rails may be spliced at slope discontinuities and stage construction joints. The manufacturer's recommended installation methods shall be followed. The joint opening and deck dimensions detailed on the superstructure are based on a rolled rail expansion joint. If the Contractor elects to use the welded rail expansion joint, the opening and deck dimensions shall be modified according to the dimensions detailed on this sheet. Required modifications shall be made at no additional cost to the State. All steel components shall be galvanized after fabrication according to Article 520.03 of the Standard Specifications.

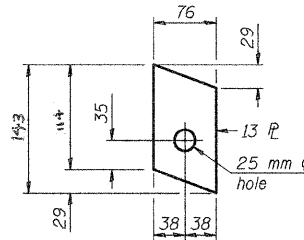


**ROLLED (EXTRUDED) RAIL**    **WELDED RAIL**

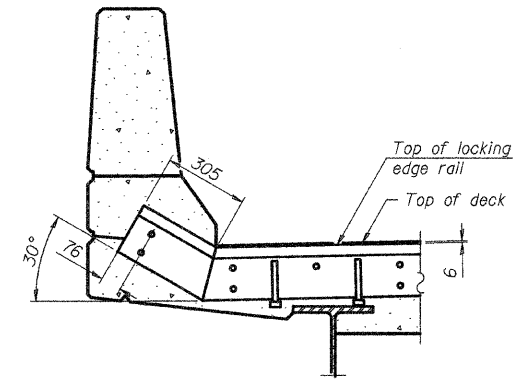
**LOCKING EDGE RAIL SPLICE**

The inside of the locking edge rail groove shall be free of weld residue.

**LOCKING EDGE RAILS**



**ANCHOR PLATE**  
(for welded rail)



**AT PARAPET END TREATMENT**

**BILL OF MATERIAL**

Item	Unit	Total
Preformed Joint Strip Seal	m	54.0

DESIGNED	ADL
CHECKED	WLW
DRAWN	ADL/DGM
CHECKED	WLW

EJ-CS (M) 4-30-97

**PREFORMED JOINT STRIP SEAL**  
FAP RTE. 310 (IL RTE. 255) OVER  
CH ROUTE 4 (HUMBERT ROAD)  
SECTION 60-15HB-1  
MADISON COUNTY  
STATION 38+829.909  
SN 060-0308 (NB) & 060-0309 (SB)