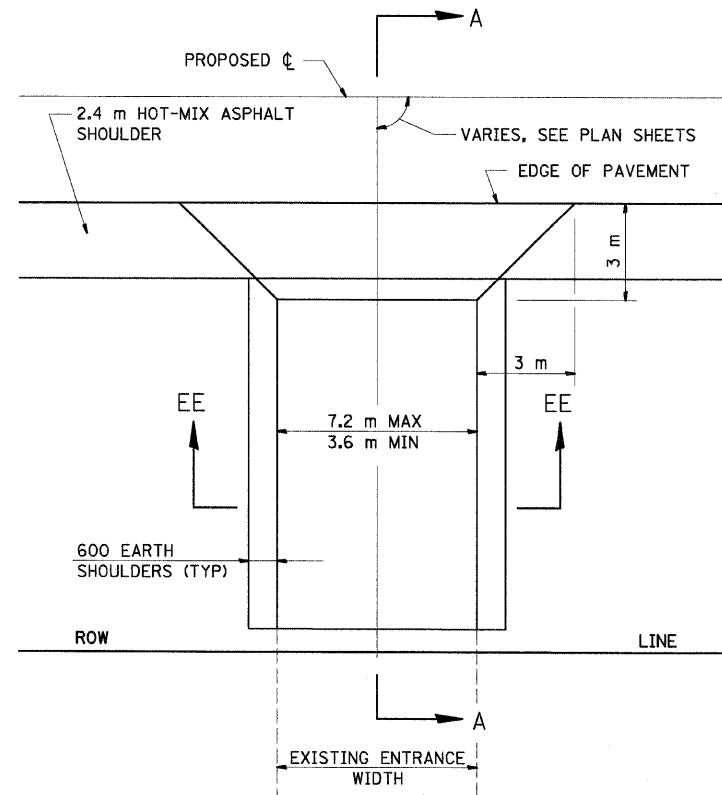
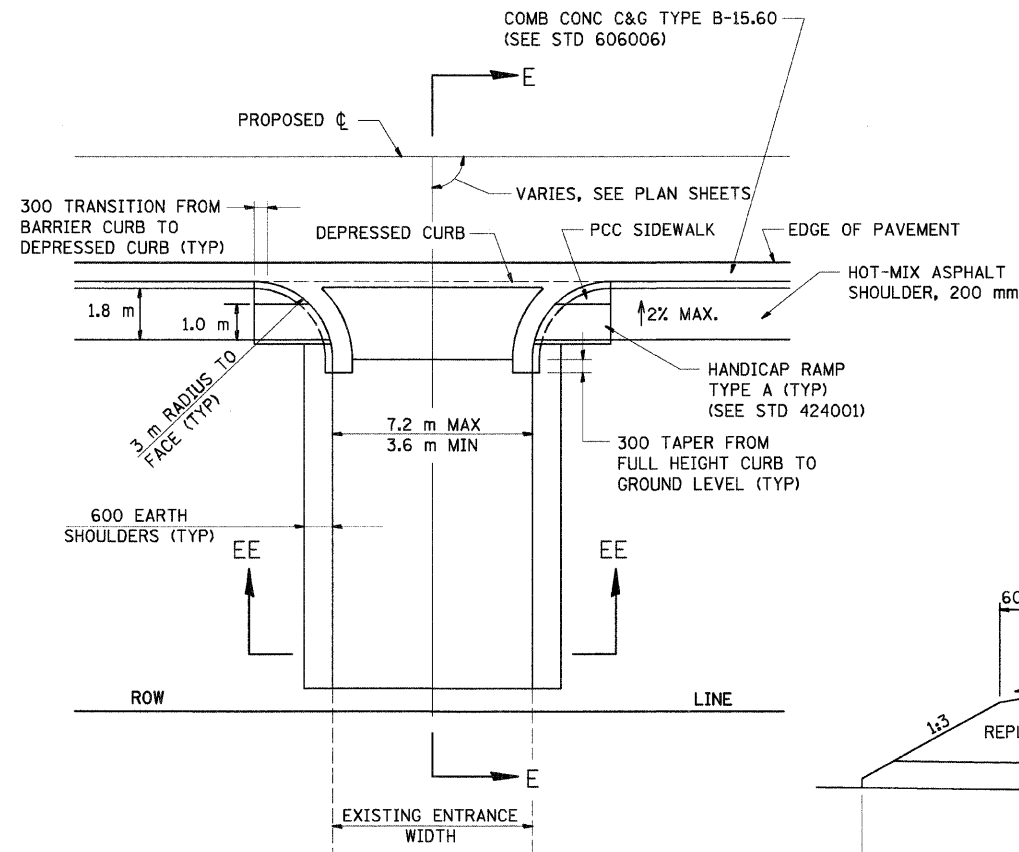


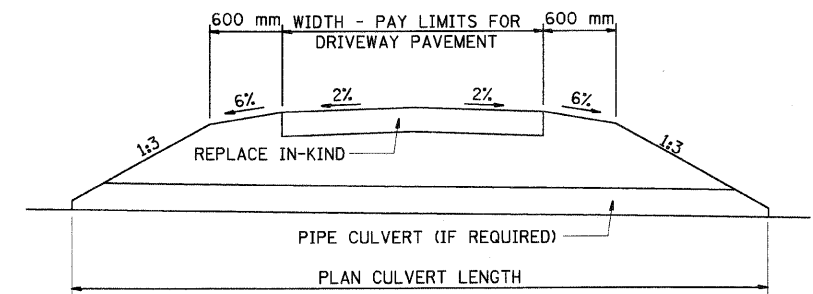
F.A.P. RTE.	SECTION	COUNTY	TOTAL SHEETS	SHEET NO.
310	60-15-1, 60-15HB-1	MADISON	238	170
STA.		TO STA.		
FED. ROAD DIST. NO.		ILLINOIS FED. AID PROJECT		
CONTRACT NO. 76635				



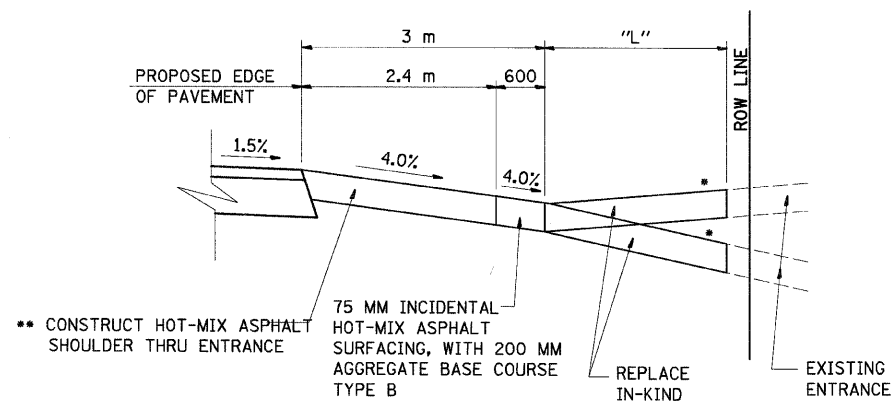
PE DETAIL A
PRIVATE ENTRANCE ADJACENT TO HOT-MIX ASPHALT SHOULDER



PE DETAIL E
PRIVATE ENTRANCE WITH BIT SHOULDER SW ADJACENT TO ROADWAY PAVEMENT WITH CONCRETE CURB & GUTTER TYPE B-15.60



FILL SECTION EE-EE

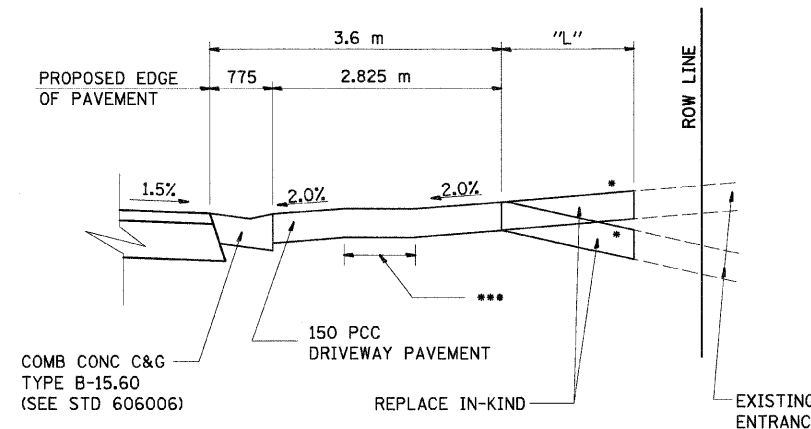


•• CONSTRUCT HOT-MIX ASPHALT SHOULDER THRU ENTRANCE

75 MM INCIDENTAL HOT-MIX ASPHALT SURFACING, WITH 200 MM AGGREGATE BASE COURSE TYPE B

- SEE CROSS SECTIONS FOR SLOPE
- OMIT AT CONCRETE ENTRANCES
- SEE PLANS FOR EXISTING SURFACE TYPE

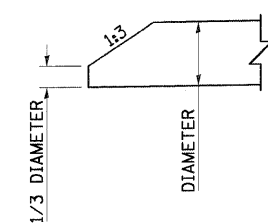
SECTION A-A



COMB CONC C&G TYPE B-15.60 (SEE STD 606006)

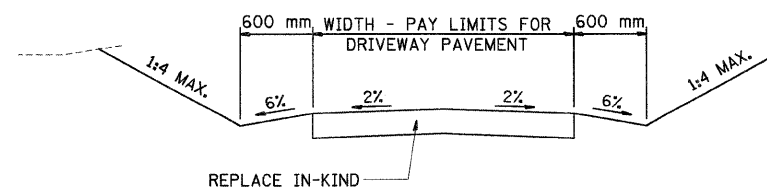
SECTION E-E

- SEE CROSS SECTIONS FOR SLOPE
- OMIT AT CONCRETE ENTRANCES
- SEE PLANS FOR EXISTING SURFACE TYPE
- MATCH SIDEWALK SLOPE ACROSS ENTRANCE PER STANDARD 424001



SECTION VIEW OF MITERED END

MITERED ENDS TO BE INCLUDED IN THE TOTAL LENGTH OF THE PIPE



CUT SECTION EE-EE

TYPE OF ENTRANCE	EXISTING MATERIAL	NEW ENTRANCE MATERIAL (BEYOND RADIUS RETURNS OR TAPERS)			
		PCC DRIVEWAY PAVEMENT (150 mm)	INCIDENTAL HOT-MIX ASPHALT SURFACING, (175 mm)	AGGREGATE BASE COURSE TYPE B (200 mm)	AGGREGATE SURFACE COURSE TYPE B (150 mm)
PRIVATE	CONCRETE	X			
	HMA		X	X	
	AGGREGATE				X
COMMERCIAL	CONCRETE	X			
	HMA	X			
	AGGREGATE	X			

REVISIONS	
NAME	DATE

ILLINOIS DEPARTMENT OF TRANSPORTATION
MISCELLANEOUS DETAILS
FAP 310 (IL 255)
SECTIONS 60-15-1, 60-15HB-1
MADISON COUNTY
DRAWN BY
CHECKED BY
DATE