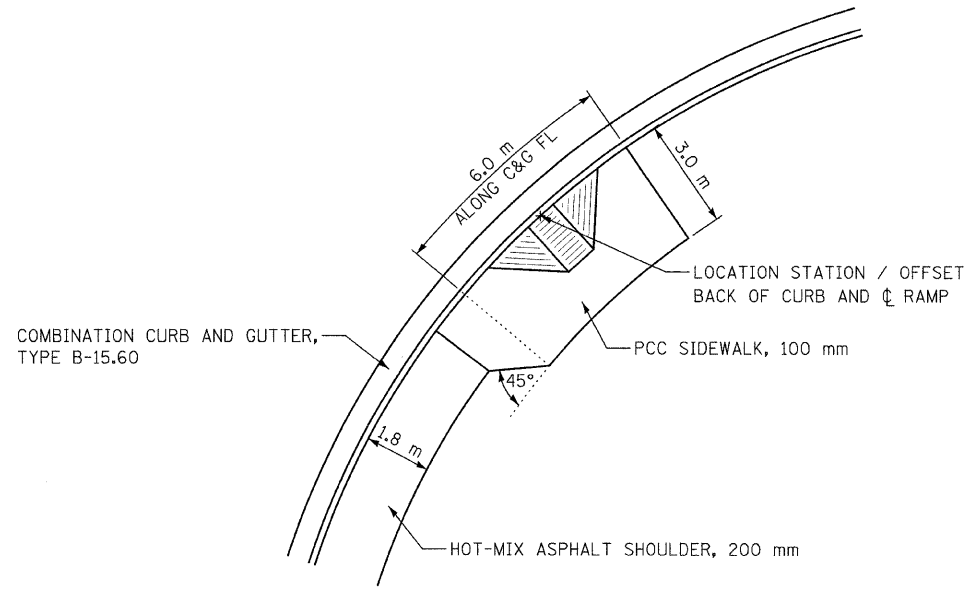


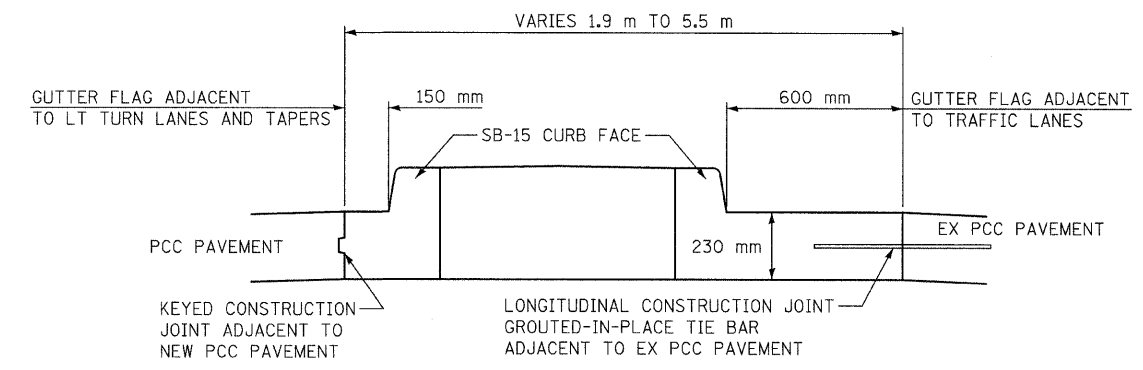
\$XXX\$

F.A.P. RTE.	SECTION	COUNTY	TOTAL SHEETS	SHEET NO.
310	60-15-1, 60-15HB-1	MADISON	238	173
STA.		TO STA.		
FED. ROAD DIST. NO.		ILLINOIS FED. AID PROJECT		



SEE STANDARDS 424001 & 606001  
FOR DETAILS NOT SHOWN

**SIDEWALK RAMP, TYPE B DETAIL**  
NOT TO SCALE



LONGITUDINAL JOINT TIE BARS SHALL  
BE NO. 20 AT 600 mm CENTERS IN  
ACCORDANCE WITH DETAILS FOR  
LONGITUDINAL CONSTRUCTION  
JOINT SHOWN IN STANDARD 420001

SEE STANDARDS 420001 & 606301  
FOR DETAILS NOT SHOWN

**CONCRETE MEDIAN TYPE SB DETAIL**  
NOT TO SCALE

\$FILE\$

REVISIONS	
NAME	DATE

ILLINOIS DEPARTMENT OF TRANSPORTATION  
MISCELLANEOUS DETAILS  
FAP 310 (IL 255)  
SECTIONS 60-15-1, 60-15HB-1  
MADISON COUNTY  
DRAWN BY  
CHECKED BY  
DATE