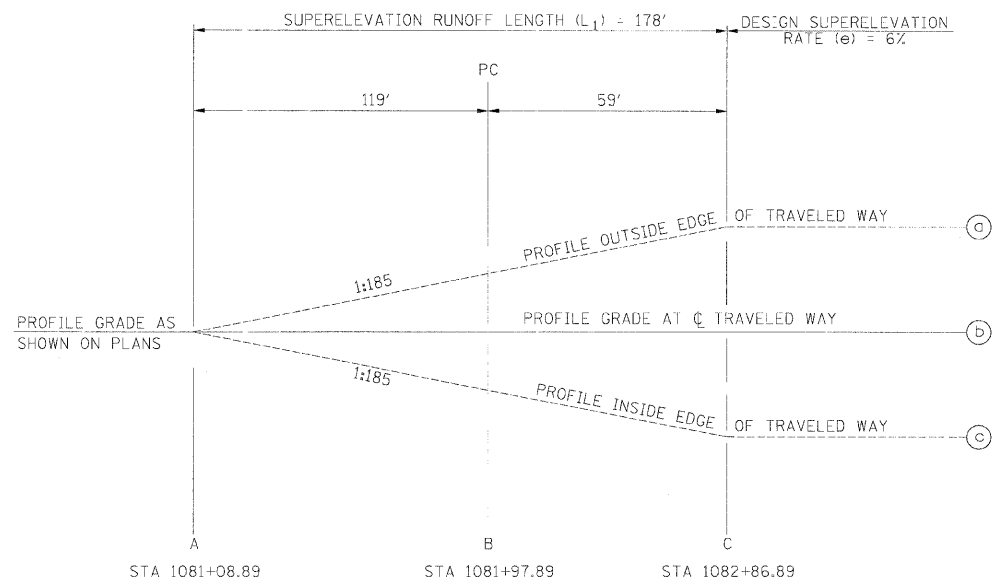
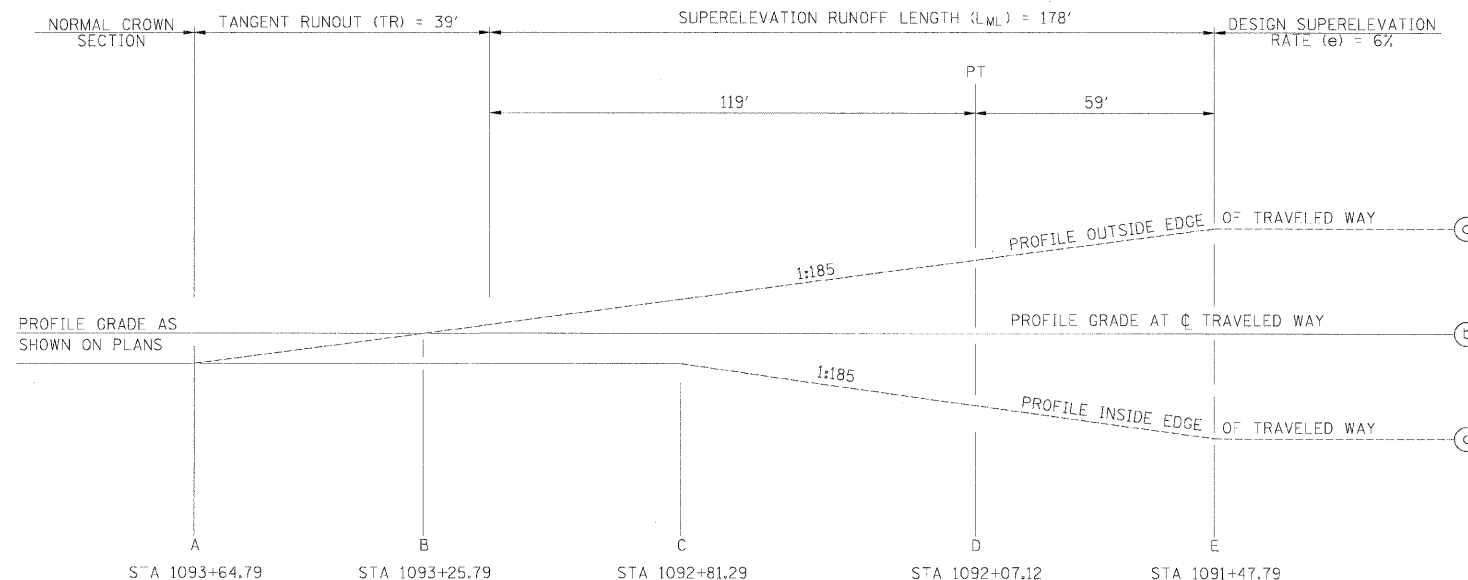


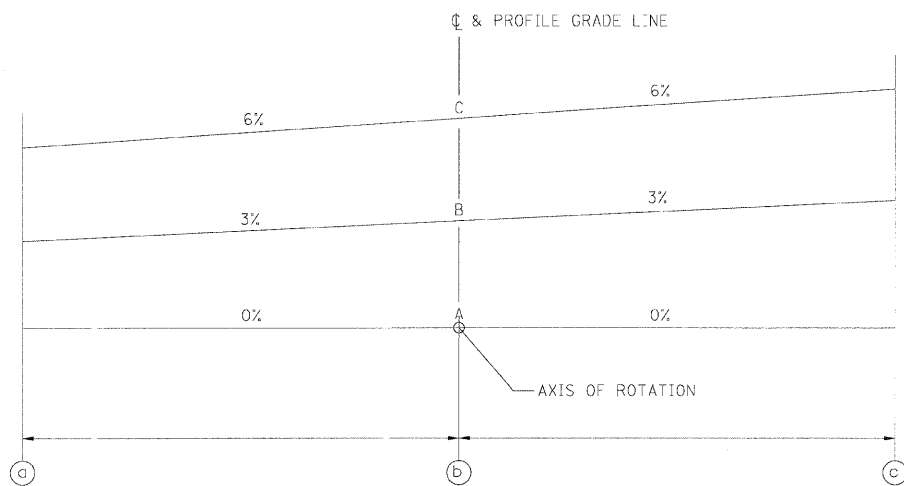
FAP RTE.	SECTION	COUNTY	TOTAL SHEETS	SHEET NO.
331	3-2, 8X-1, 4-2	SALINE	220	106
STA.		TO STA.		
FED. ROAD DIST. NO.		ILLINOIS	FED. AID PROJECT	



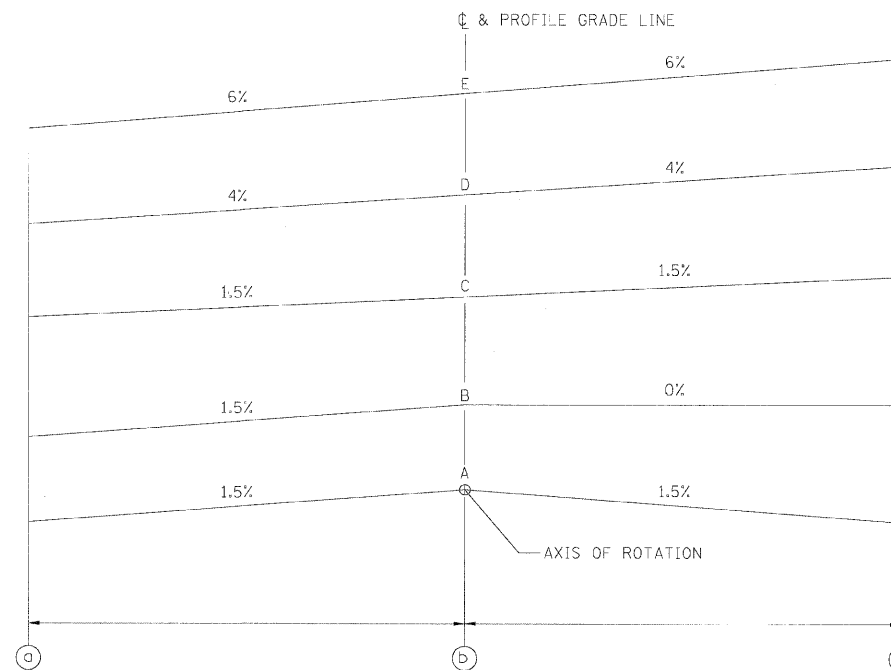
NOTE:
ROUND ALL EDGE BREAKPOINTS IN FIELD.



NOTE:
ROUND ALL EDGE BREAKPOINTS IN FIELD.



**CURVE 453
TRANSITION IN**



**CURVE 453
TRANSITION OUT**

CHECKED BY: JMW PLOT DATE: 2/2/2009
DRAWN BY: DMS PLOT SCALE: 1/8"=1'-0"

M:\PROJECTS\PROJECTS\ROADWAY\COMMON\Reference Files
Active File: SUPER03_35%fc.dgn