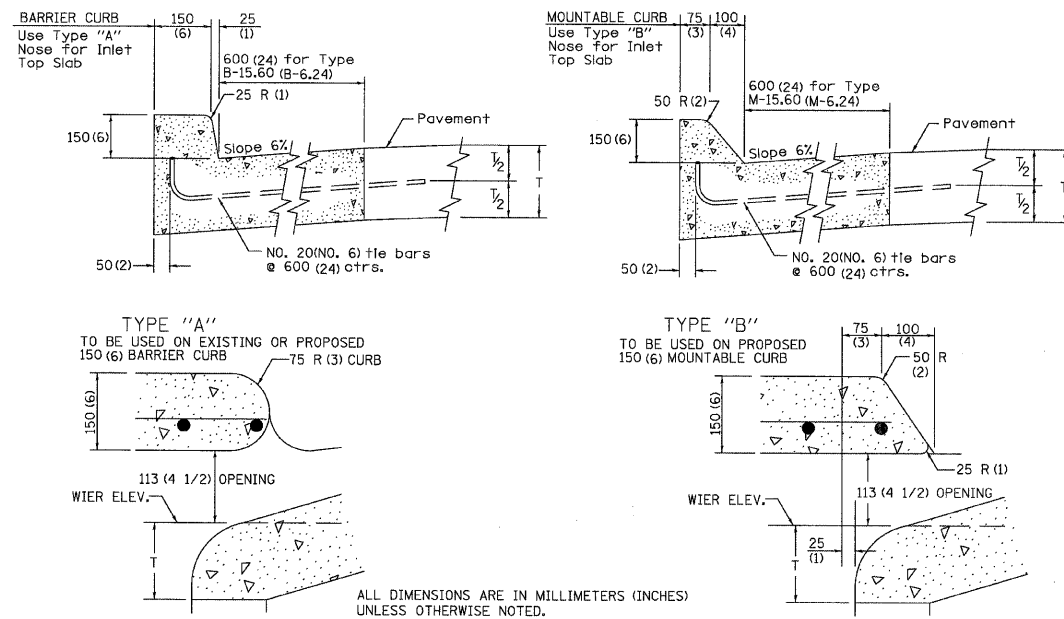


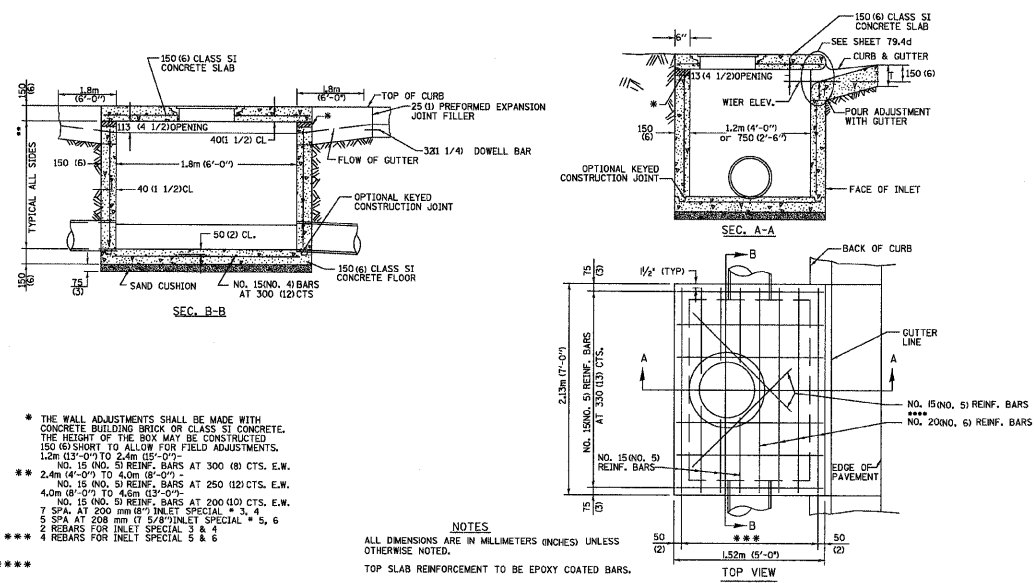
NOSE TYPE FOR INLET TOP SLAB



REVISED 2-14-95

NOSE TYPE FOR INLET TOP SLAB 79.4d

INLET SPECIAL NO. 3, 4, 5, 6 REINFORCEMENT DETAIL

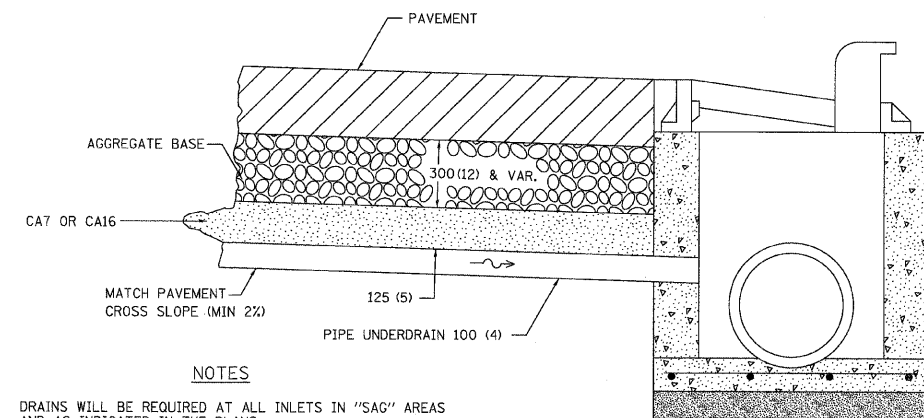


- THE WALL ADJUSTMENTS SHALL BE MADE WITH CONCRETE BUILDING BRICK OR CLASS SI CONCRETE. THE HEIGHT OF THE BOX MAY BE CONSTRUCTED 150 (6) SHORT TO ALLOW FOR FIELD ADJUSTMENTS.
- 1.2m (4'-0") TO 2.4m (8'-0") NO. 15 (NO. 5) REINF. BARS AT 300 (8) CTS. E.W.
- 2.4m (8'-0") TO 4.0m (13'-0") NO. 15 (NO. 5) REINF. BARS AT 250 (12) CTS. E.W.
- 4.0m (13'-0") TO 4.6m (15'-0") NO. 15 (NO. 5) REINF. BARS AT 200 (10) CTS. E.W.
- SPAL AT 200 mm (8") INLET SPECIAL # 3, 4
- SPA AT 200 mm (8") INLET SPECIAL # 5, 6
- REBARS FOR INLET SPECIAL 3 & 4
- REBARS FOR INLET SPECIAL 5 & 6

REVISED - 11-01-07

NOTES:
ALL DIMENSIONS ARE IN MILLIMETERS (INCHES) UNLESS OTHERWISE NOTED.
TOP SLAB REINFORCEMENT TO BE EPOXY COATED BARS.

DRAIN FOR AGGREGATE BASES IN URBAN AREAS



NOTES:
DRAINS WILL BE REQUIRED AT ALL INLETS IN "SAG" AREAS AND AS INDICATED IN THE PLANS.

THIS WORK SHALL BE COMPLETED ACCORDING TO SECTION 601 OF THE STANDARD SPECIFICATIONS.

THIS WORK WILL BE PAID FOR AT THE CONTRACT UNIT PRICE PER METER (FOOT) FOR PIPE UNDERDRAINS OF THE DIAMETER SPECIFIED WHICH PRICE SHALL INCLUDE THE CAT OR CA16 AND THE CONNECTION TO THE INLET.

ALL DIMENSIONS ARE IN MILLIMETERS (INCHES) UNLESS OTHERWISE NOTED.

REVISED - 04-07-99	REGION 2 / DISTRICT 2 STANDARD	LOCAL RTE. M.S. 1040	SECTION 05-00010-00-PV	COUNTY HENRY	TOTAL SHEETS 136	SHEET NO. 136
REVISED - ---	SCALE: #SCALE#	SHEET NO. 136 OF 136 SHEETS		STA. _____ TO STA. _____	CONTRACT NO. 85428	
REVISED - ---	FED. ROAD DIST. NO. _____		ILLINOIS FED. AID PROJECT			