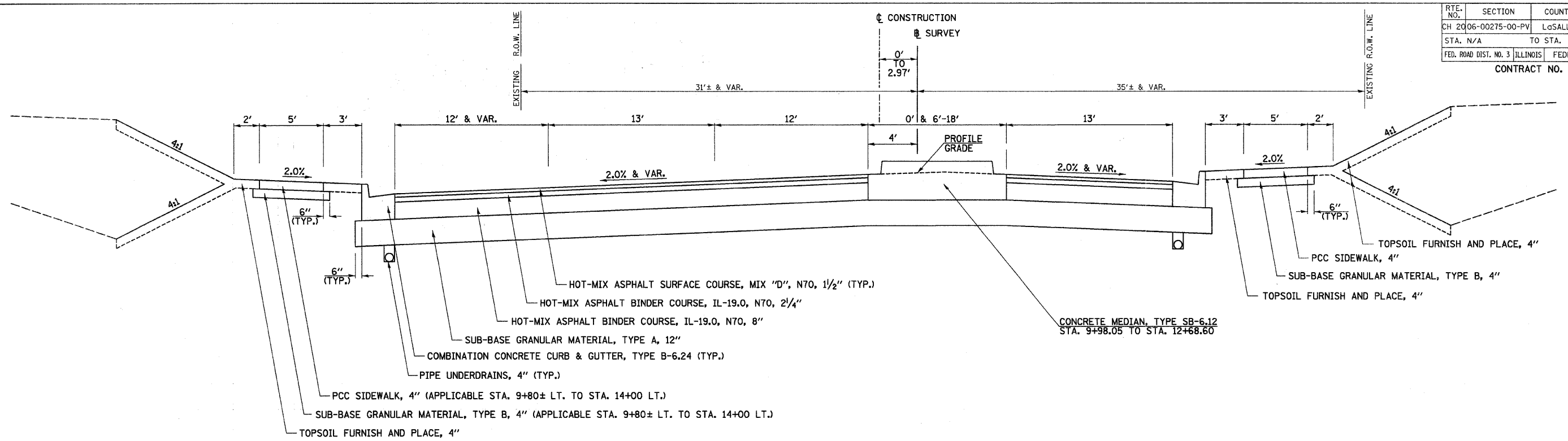
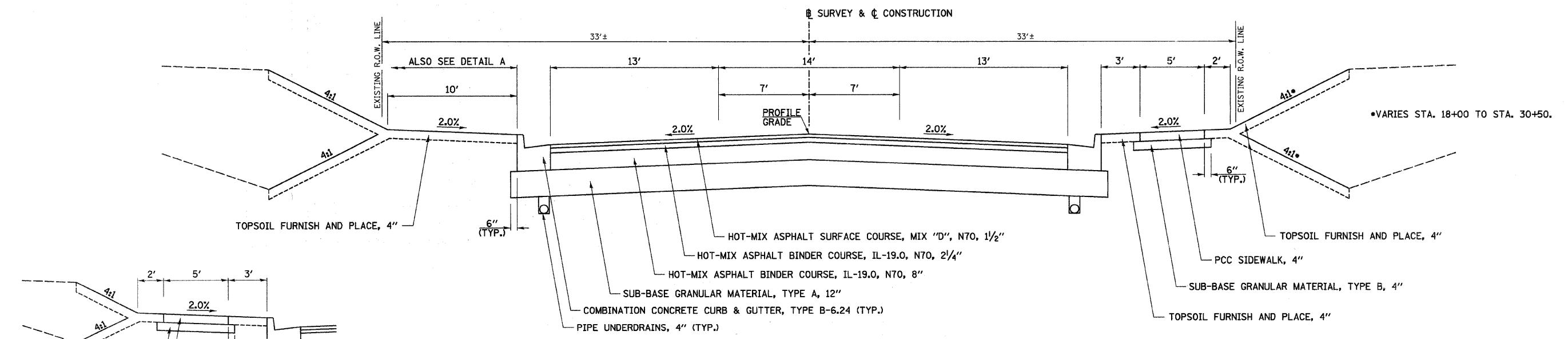


RTE. NO.	SECTION	COUNTY	TOTAL SHEETS	SHEET NO.
CH 2006-00275-00-PV		LaSALLE	218	9
STA. N/A		TO STA. N/A		
FED. ROAD DIST. NO. 3		ILLINOIS FEDERAL AID PROJECT		
CONTRACT NO. 87352				

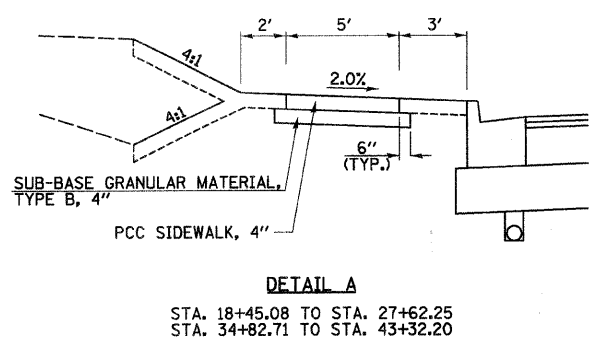


PROPOSED TYPICAL SECTION
C.H. 20 (ETNA RD.)
 STA. 9+73.88 TO STA. 18+45.08

NOTE: FOR SUPERELEVATION TABLES, SEE "SUPERELEVATION TABLES & DETAILS" SHEET.



PROPOSED TYPICAL SECTION
C.H. 20 (ETNA RD.)
 STA. 18+45.08 TO STA. 62+85.74



DETAIL A
 STA. 18+45.08 TO STA. 27+62.25
 STA. 34+82.71 TO STA. 43+32.20