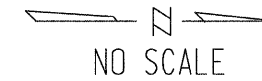


TEMPORARY CONSTRUCTION EASEMENTS



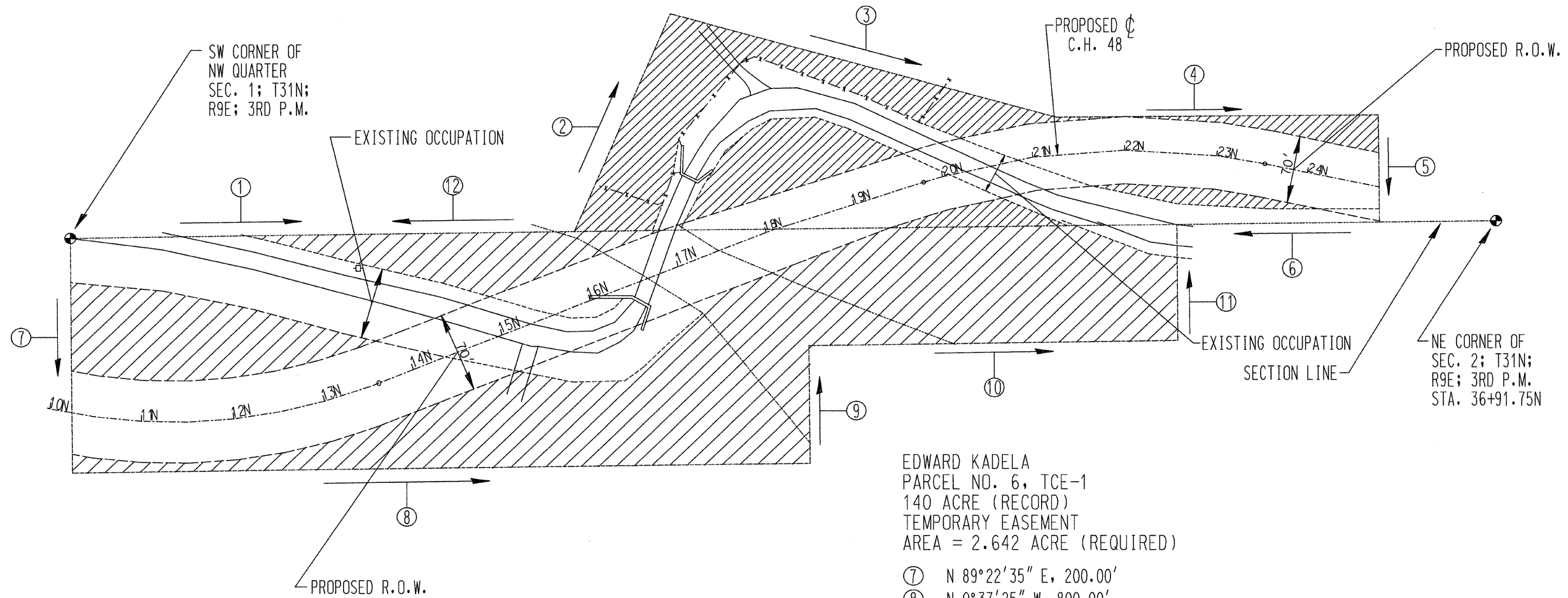
ROUTE NO	SECTION	COUNTY	TOTAL SHEETS	SHEET NO
CH 48	*	KANKAKEE	56	4

CONTRACT NO. 87374

* 85-00221-00-BR

DENNIS SWIECH
 PARCEL NO. 7, TCE-1
 25.00 ACRE (RECORD)
 TEMPORARY EASEMENT
 AREA = 1.165 ACRE (REQUIRED)

- ① N 0°37'25" W, 550.00'
- ② N 65°37'25" W, 250.00'
- ③ N 14°26'11" E, 424.96'
- ④ N 0°37'25" W, 350.00' ±
- ⑤ N 89°22'35" E, 115.00'
- ⑥ S 0°37'25" E, 1420.00' ±



EDWARD KADELA
 PARCEL NO. 6, TCE-1
 140 ACRE (RECORD)
 TEMPORARY EASEMENT
 AREA = 2.642 ACRE (REQUIRED)

- ⑦ N 89°22'35" E, 200.00'
- ⑧ N 0°37'25" W, 800.00'
- ⑨ S 90°37'25" W, 100.00'
- ⑩ N 0°37'25" W, 400.00'
- ⑪ S 90°37'25" W, 100.00'
- ⑫ S 0°37'25" E, 1200.00'