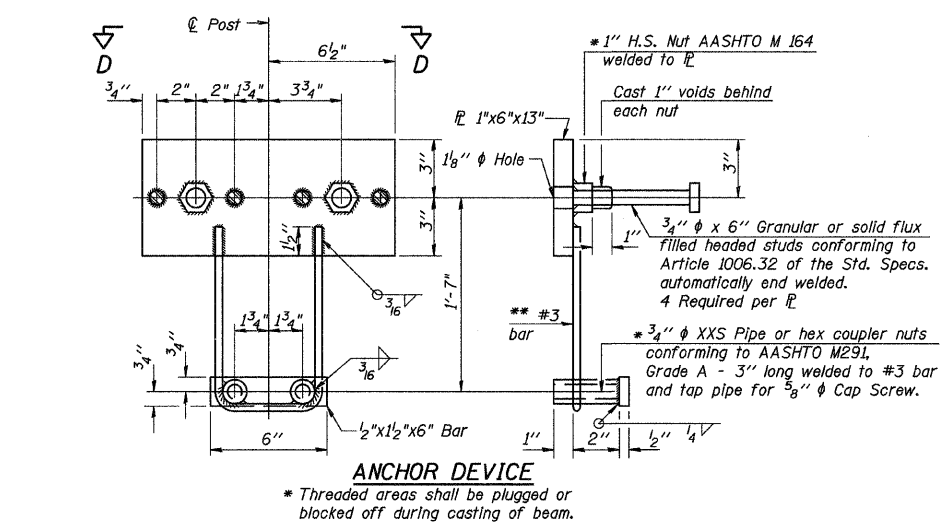
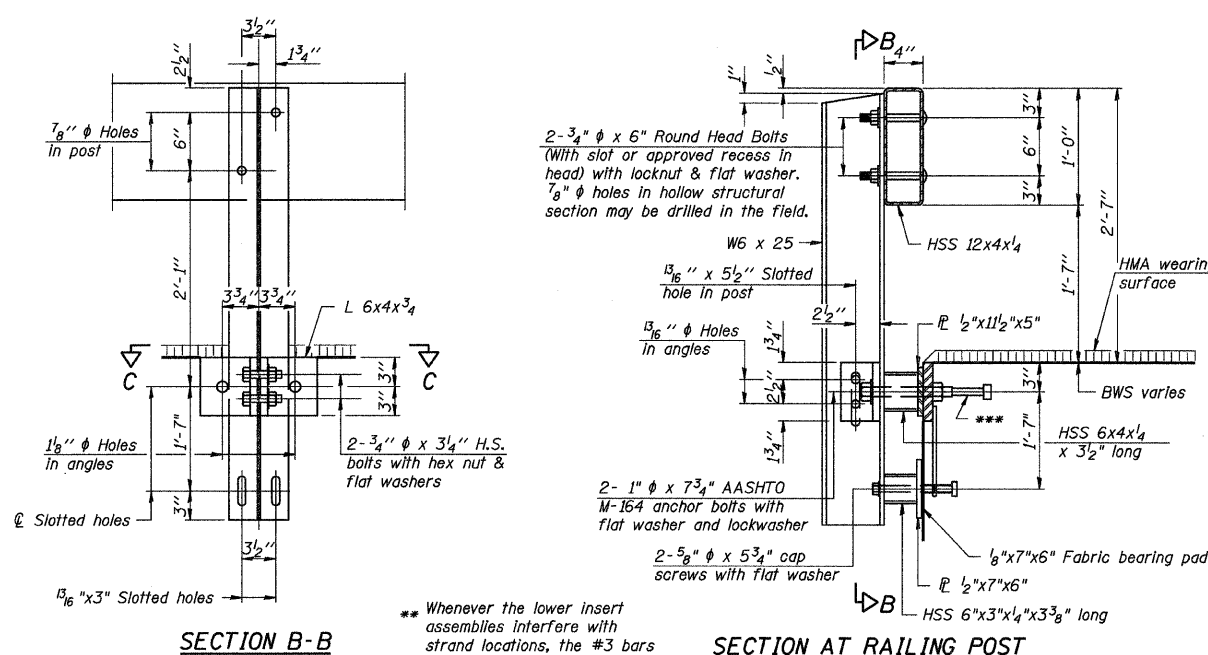
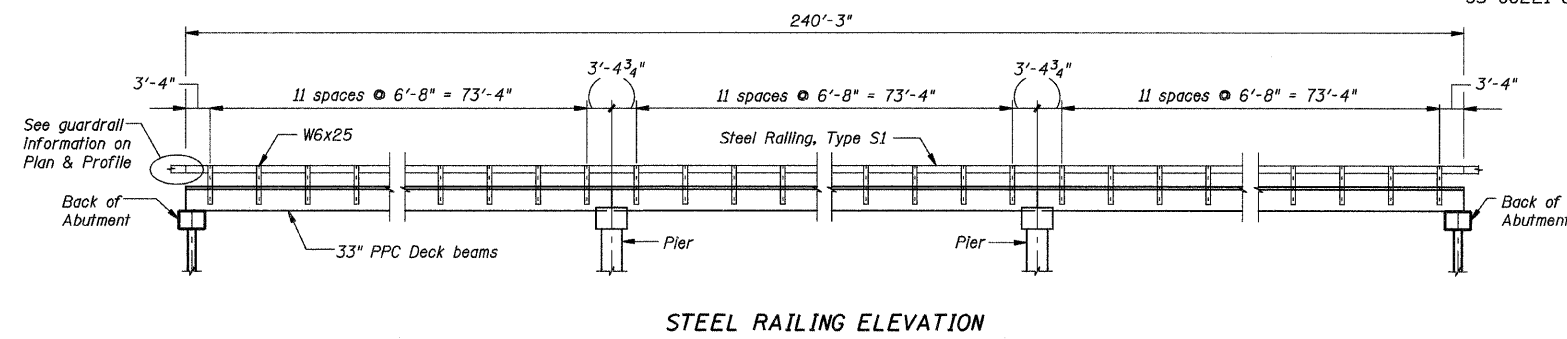
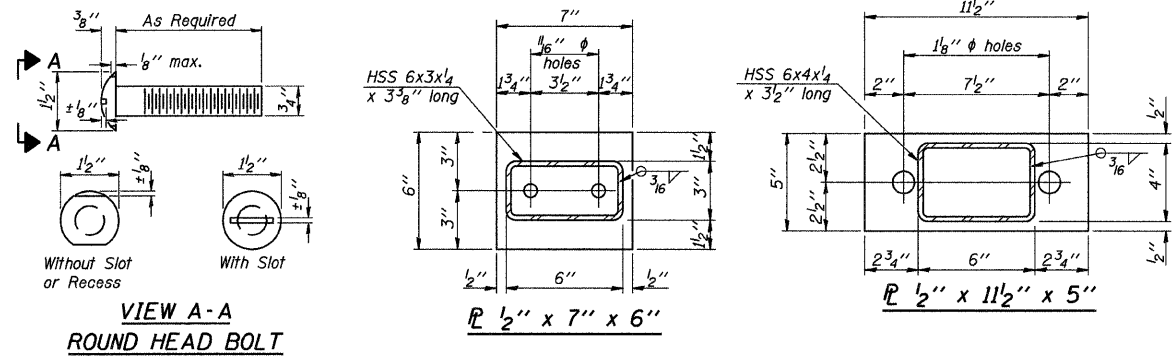
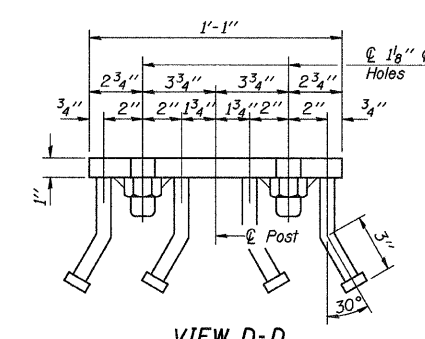
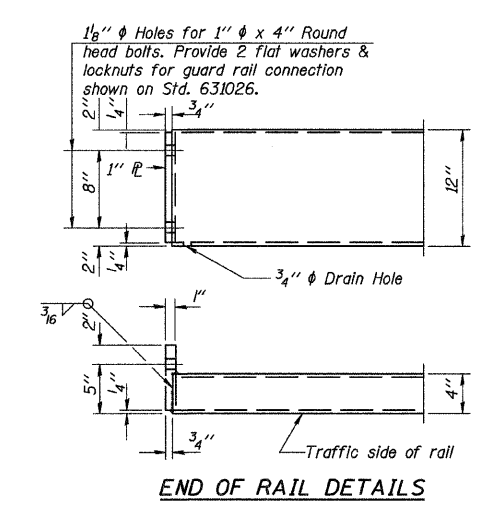
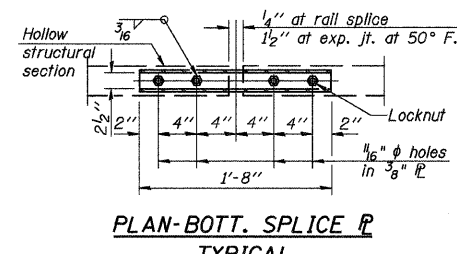
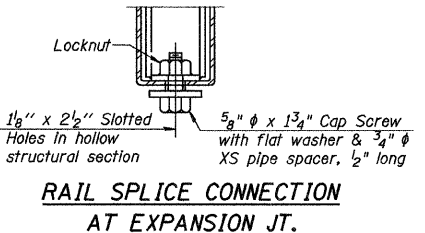
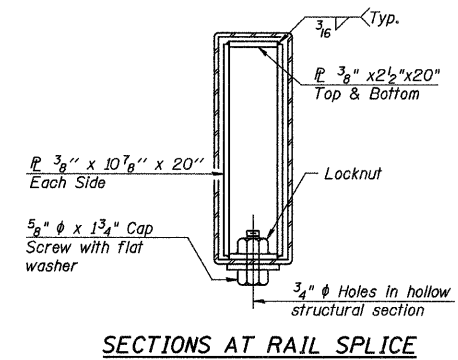
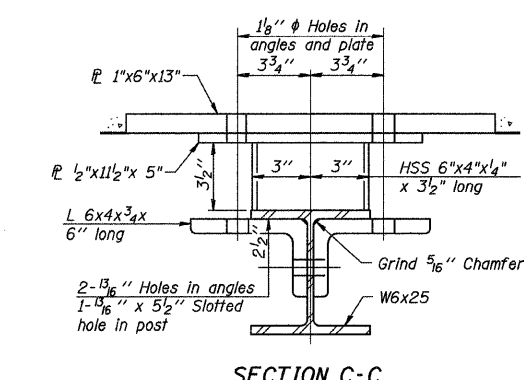


ROUTE NO.	SECTION	COUNTY	SHEETS	SHEET
CH 48	*	Kankakee	56	36
FED. ROAD DIST. NO. 7		ILL. ROAD PROJ. NO.	*85-00221-00-BR	



Notes:
 All field drilled holes shall be coated with an approved zinc rich paint before erection.
 For multi-span bridges, sufficient 1/4 inch x 6 inch x 1-2 inch galvanized steel shims shall be provided to align rail between adjacent spans. Cost included with Steel Railing, Type S-1.
 All steel rail elements shall be galvanized according to Article 509.05 of the Standard Specifications.
 *** The studs of the anchor devices shall be placed below the top reinforcement bars and the outermost longitudinal reinforcement bar shall be placed directly above the studs of the rail post anchor device.



BILL OF MATERIAL

Item	Unit	Quantity
Steel Railing, Type S1	Foot	48!

R-23A 11-1-06 (10'-9" Maximum Post Spacing)

DSGN	K.J. Hoffmann				
DR	K.J. Hoffmann				
CHK	J.R. Wolf				
APVD	J.A. Fraenhoffer	NO.	DATE	REVISION	BY

FRAUENHOFFER
 Fraenhoffer and Associates, P.C. Consulting Engineers
 3002 Crossing Court Champaign, Il. 61822 217-351-6268

STEEL RAILING, TYPE S1	SHEET 36
CH 48 OVER HORSE CREEK	DWG NO. 85019-S1.dgn
SECTION 85-00221-00-BR	DATE DEC 2007
KANKAKEE COUNTY	PROJ NO. 85019