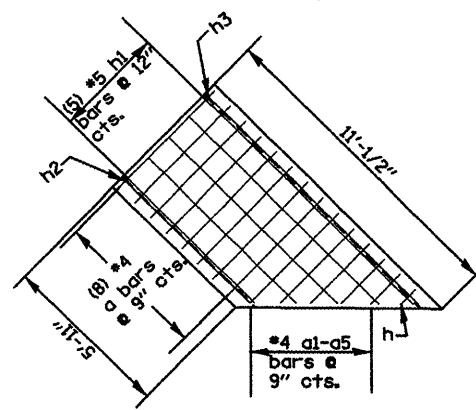
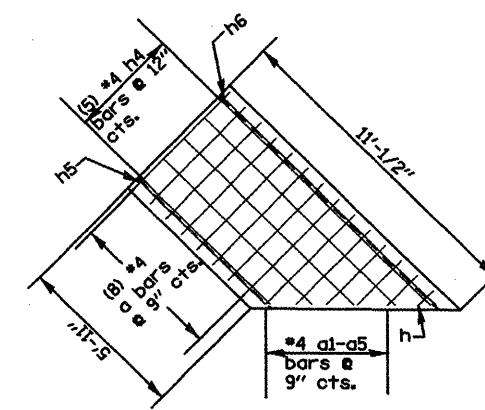


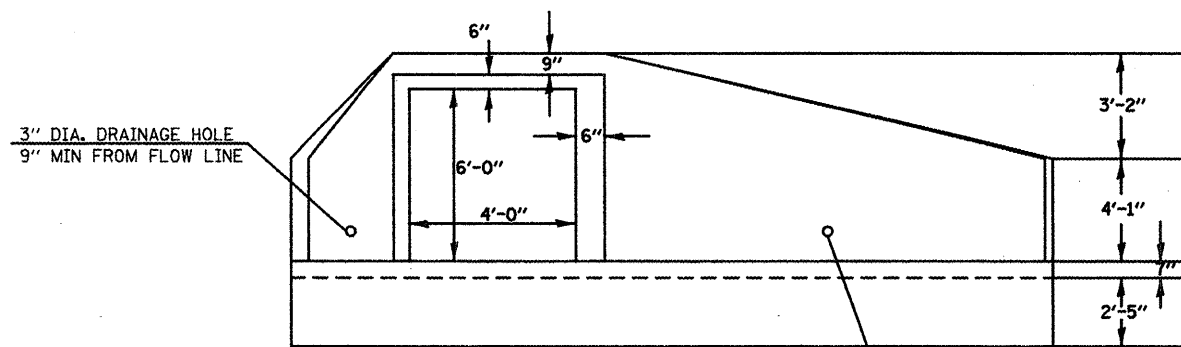
PLAN VIEW



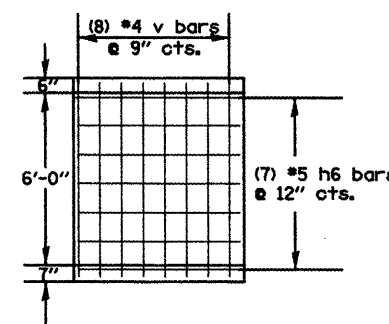
DETAIL A  
TOP SLAB  
REINFORCEMENT



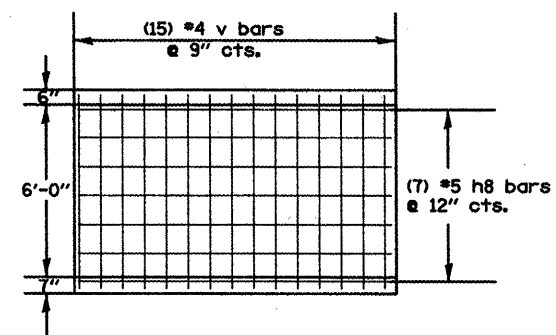
DETAIL B  
BOTTOM SLAB  
REINFORCEMENT



END ELEVATION



DETAIL C  
SHORT WALL  
REINFORCEMENT



DETAIL D  
LONG WALL  
REINFORCEMENT

NOTE  
INCLUDE 1 DRAINAGE HOLE WITHIN EACH  
WALL OF THE CAST-IN-PLACE BARREL SECTION  
9" MIN FROM FLOW LINE.

DRAWING NOT TO SCALE

FILE NAME = dr-enddetail.dgn	USER NAME = ghdinaem	DESIGNED -	REVISED -	<b>STATE OF ILLINOIS DEPARTMENT OF TRANSPORTATION</b>	<b>STA. 98+00 4' X 6' BOX CULVERT EXTENSION DETAIL</b>	F.A.P. RTE.	SECTION	COUNTY	TOTAL SHEETS	SHEET NO.	
	PLLOT SCALE = 1/80.0000' / IN.	DRAWN -	REVISED -			665	(136.137)WARS-31136R1098R-1	HENDERSON		126	
	PLLOT DATE = 1/20/2009	CHECKED -	REVISED -			SCALE: SHEET NO. OF SHEETS STA. TO STA.		CONTRACT NO. 88773			
		DATE -	REVISED -					FED. ROAD DIST. NO. [ILLINOIS] FED. AID PROJECT			