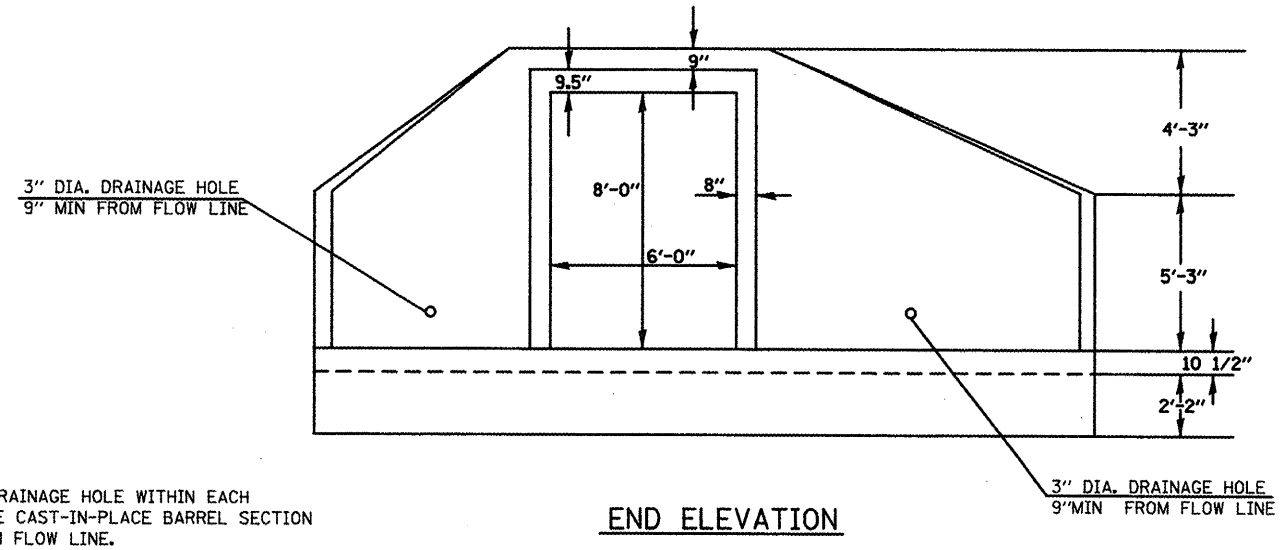
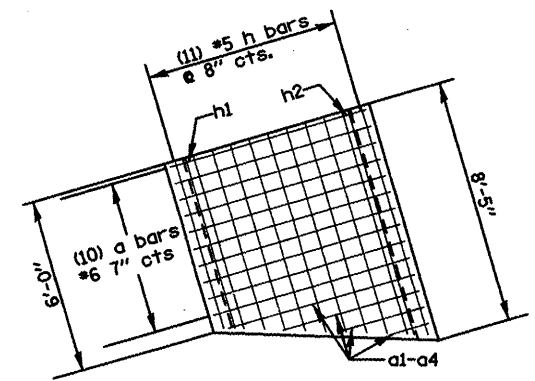


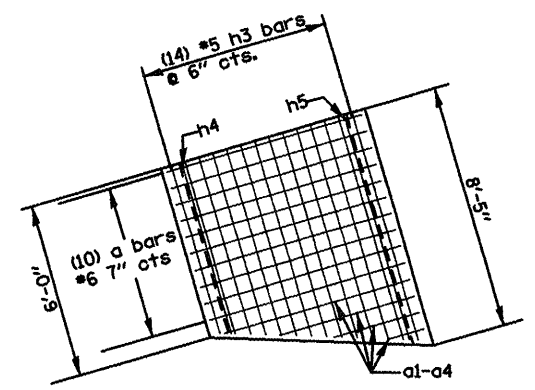
PLAN VIEW



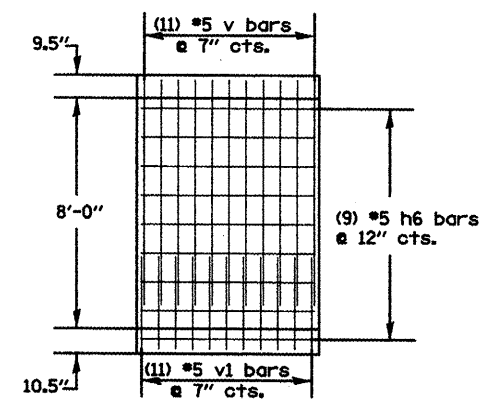
END ELEVATION



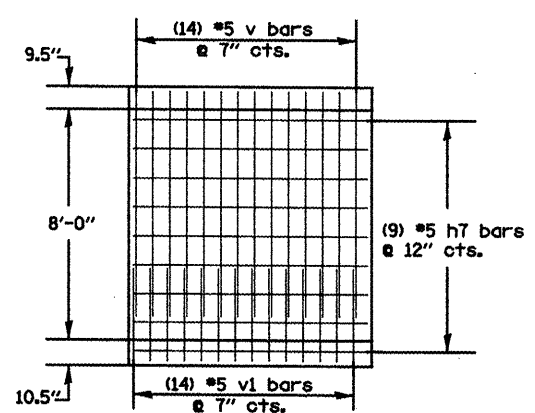
DETAIL A
TOP SLAB
REINFORCEMENT



DETAIL B
BOTTOM SLAB
REINFORCEMENT



DETAIL C
SHORT WALL
REINFORCEMENT



DETAIL D
LONG WALL
REINFORCEMENT

NOTE
INCLUDE 1 DRAINAGE HOLE WITHIN EACH
WALL OF THE CAST-IN-PLACE BARREL SECTION
9" MIN FROM FLOW LINE.

DRAWING NOT TO SCALE

FILE NAME = dra:ndetail.dgn	USER NAME = ghadineam	DESIGNED -	REVISED -	STATE OF ILLINOIS DEPARTMENT OF TRANSPORTATION	STA. 124+22 6' X 8' BOX CULVERT EXTENSION DETAIL	F.A.P. RTE.	SECTION	COUNTY	TOTAL SHEETS	SHEET NO.	
	PLOT SCALE = 1/80.0000 / IN.	DRAWN -	REVISED -			665	(136,137)WARS-3(136R)09BR-1	HENDERSON		133	
	PLOT DATE = 1/20/2009	CHECKED -	REVISED -			CONTRACT NO. 88773					
		DATE -	REVISED -			SCALE:	SHEET NO. OF SHEETS	STA. TO STA.	FED. ROAD DIST. NO.	ILLINOIS FED. AID PROJECT	