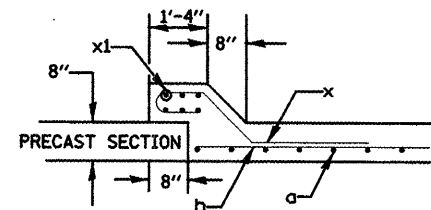
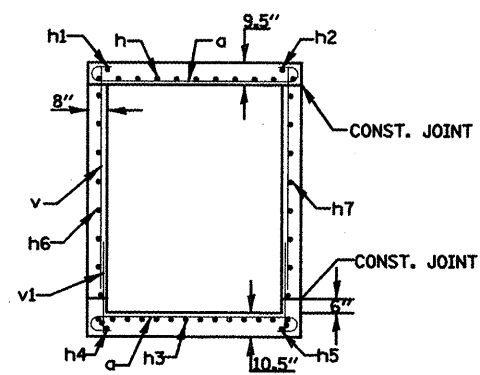


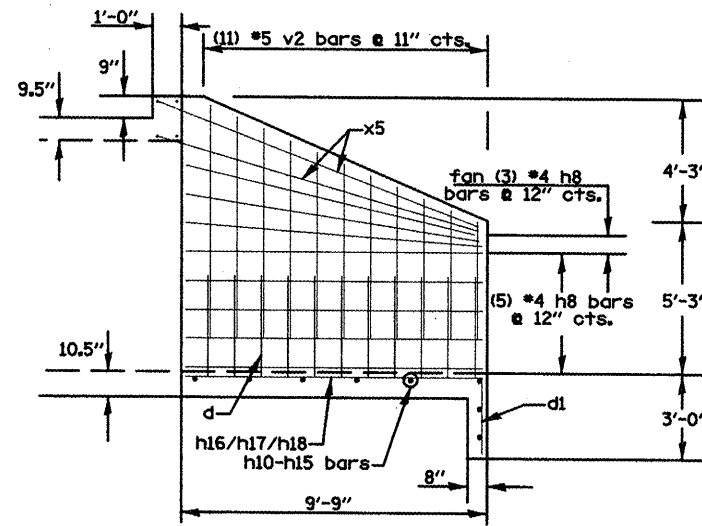
SECTION A-A
COLLAR CONNECTION TO
PRECAST CULVERT SECTION



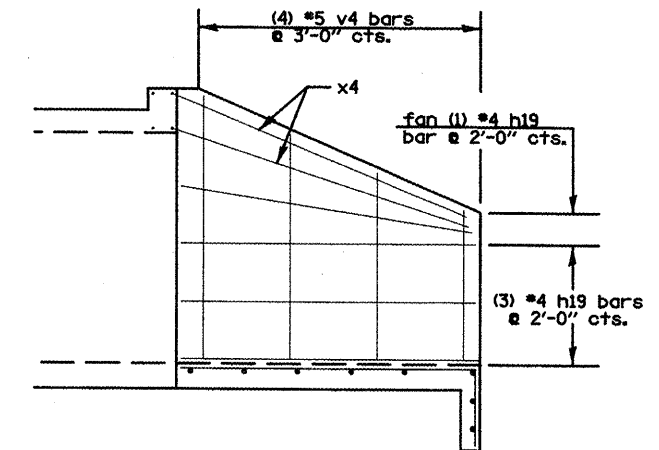
SECTION B-B
CONNECTION OF PRECAST BOX
CULVERT AND CAST-IN-PLACE COLLAR



SECTION C-C
CAST-IN-PLACE
BARREL SECTION

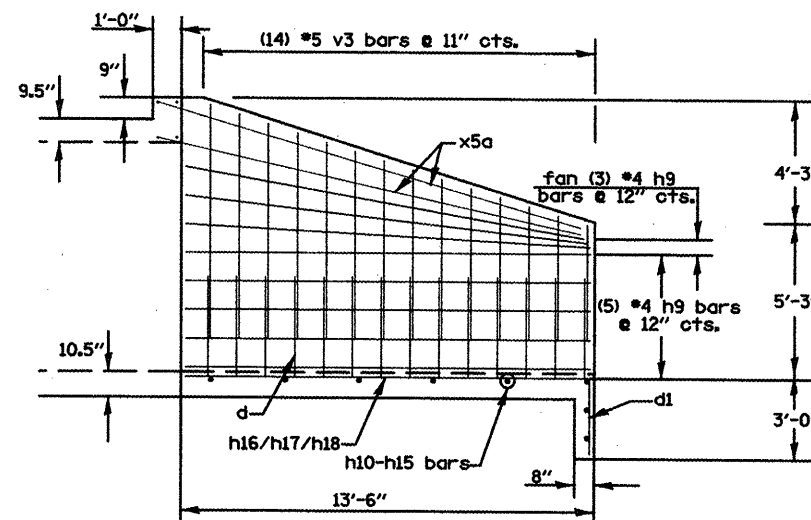


OUTSIDE WALL

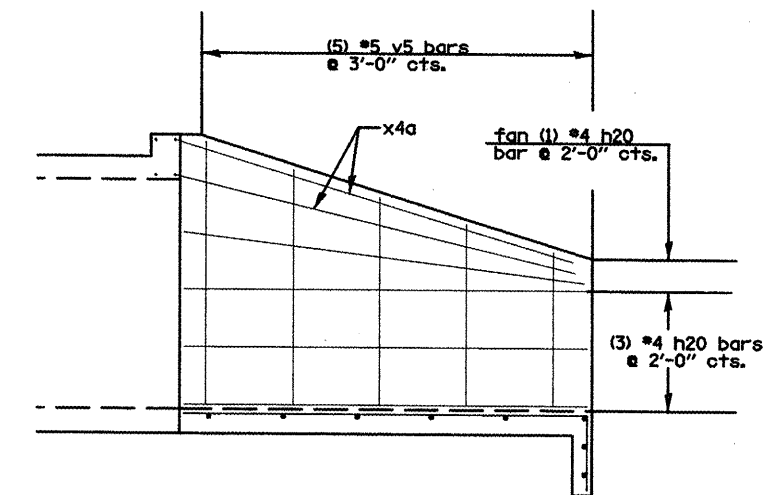


INSIDE WALL

SECTION D-D
SHORT WINGWALL



OUTSIDE WALL



INSIDE WALL

SECTION E-E
LONG WINGWALL

DRAWING NOT TO SCALE

FILE NAME = draindetail.dgn	USER NAME = ghdineem	DESIGNED -	REVISED -	STATE OF ILLINOIS DEPARTMENT OF TRANSPORTATION	STA. 124+22 6' X 8' BOX CULVERT EXTENSION DETAIL	F.A.P. RTE.	SECTION	COUNTY	TOTAL SHEETS	SHEET NO.	
		DRAWN -	REVISED -			665	136.1371WARS-3d136R109BR-1	HENDERSON	134		
		CHECKED -	REVISED -			CONTRACT NO. 88773					
		DATE -	REVISED -			FED. ROAD DIST. NO. ILLINOIS FED. AID PROJECT					
					SCALE:	SHEET NO. OF SHEETS		STA. TO STA.			