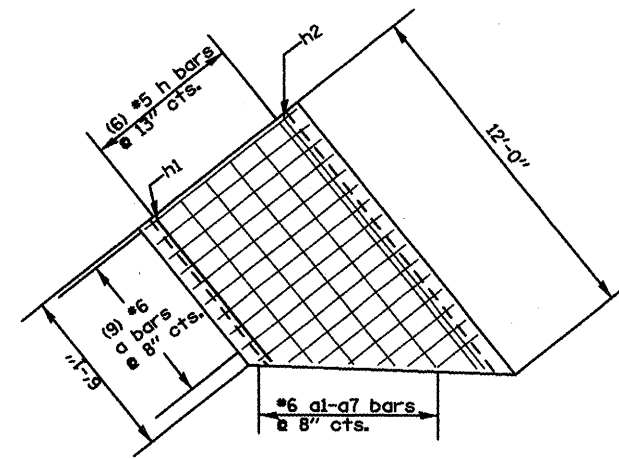
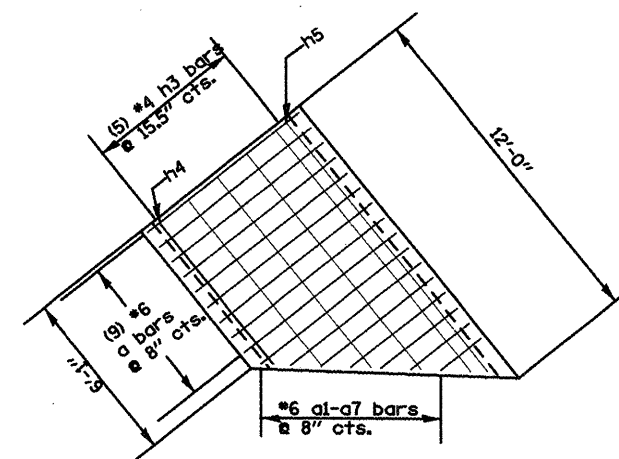


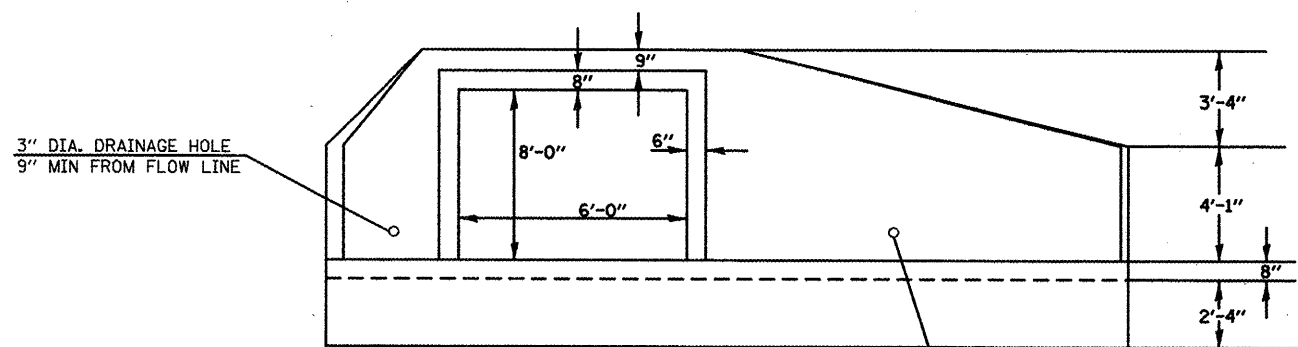
PLAN VIEW



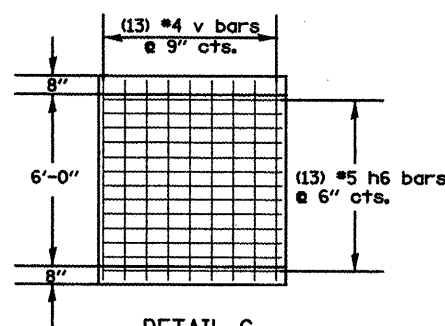
DETAIL A
TOP SLAB
REINFORCEMENT



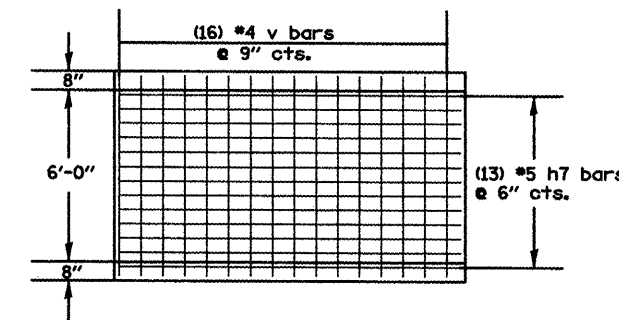
DETAIL B
BOTTOM SLAB
REINFORCEMENT



END ELEVATION



DETAIL C
SHORT WALL
REINFORCEMENT



DETAIL D
LONG WALL
REINFORCEMENT

NOTE
INCLUDE 1 DRAINAGE HOLE WITHIN EACH
WALL OF THE CAST-IN-PLACE BARREL SECTION
9" MIN FROM FLOW LINE.

DRAWING NOT TO SCALE

FILE NAME = d-reindetail.dgn	USER NAME = ghdsnam	DESIGNED -	REVISED -	STATE OF ILLINOIS DEPARTMENT OF TRANSPORTATION	STA. 155+19 6' X 6' BOX CULVERT EXTENSION DETAIL	F.A.P. RTE.	SECTION	COUNTY	TOTAL SHEETS	SHEET NO.	
	PLOT SCALE = 1/88.8888" / IN.	DRAWN -	REVISED -			665	(136.137)W&RS-3d136Rd109BR-1	HENDERSON		140	
	PLOT DATE = 1/28/2009	CHECKED -	REVISED -			CONTRACT NO. 88773					
		DATE -	REVISED -			SCALE:	SHEET NO. OF SHEETS	STA. TO STA.	FED. ROAD DIST. NO. [ILLINOIS] FED. AID PROJECT		