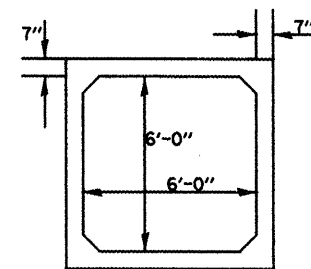
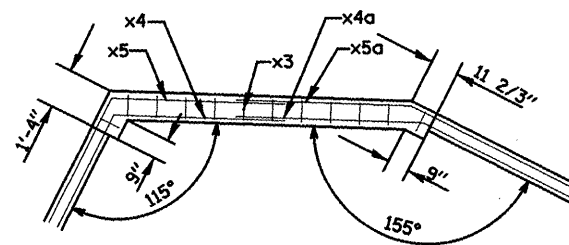


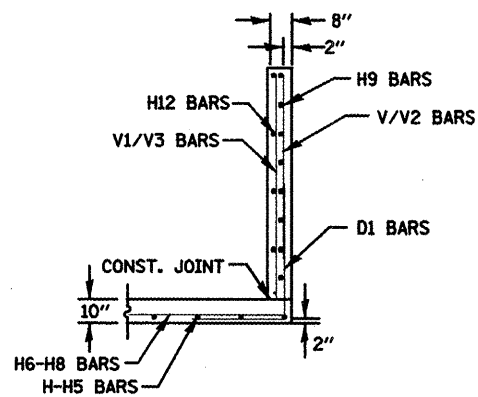
SECTION F-F  
HEADWALL & APRON  
CONNECTION TO COLLAR



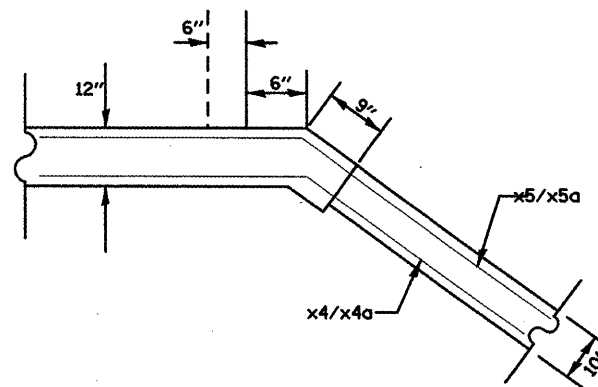
SECTION H-H  
SECTION THROUGH PRE-CAST BARREL



HEADWALL



SECTION G-G  
WINGWALL CONNECTION  
TO APRON



CORNER DETAIL  
(TYPICAL BOTH CORNERS)

DRAWING NOT TO SCALE

FILE NAME = d:\andetail.dgn	USER NAME = ghidrean	DESIGNED -	REVISED -	<b>STATE OF ILLINOIS DEPARTMENT OF TRANSPORTATION</b>	<b>STA. 155+19 6' X 6' BOX CULVERT EXTENSION DETAIL</b>			F.A.P. RTE.	SECTION	COUNTY	TOTAL SHEETS	SHEET NO.
	PLOT SCALE = 100.0000' / IN.	DRAWN -	REVISED -		665	(136.137)W&RS-3436R109BR-1	HENDERSON	142				
	PLOT DATE = 1/20/2009	CHECKED -	REVISED -		SCALE: SHEET NO. OF SHEETS STA. TO STA.			CONTRACT NO. 88773				
	DATE -	REVISED -		FED. ROAD DIST. NO. ILLINOIS FED. AID PROJECT								