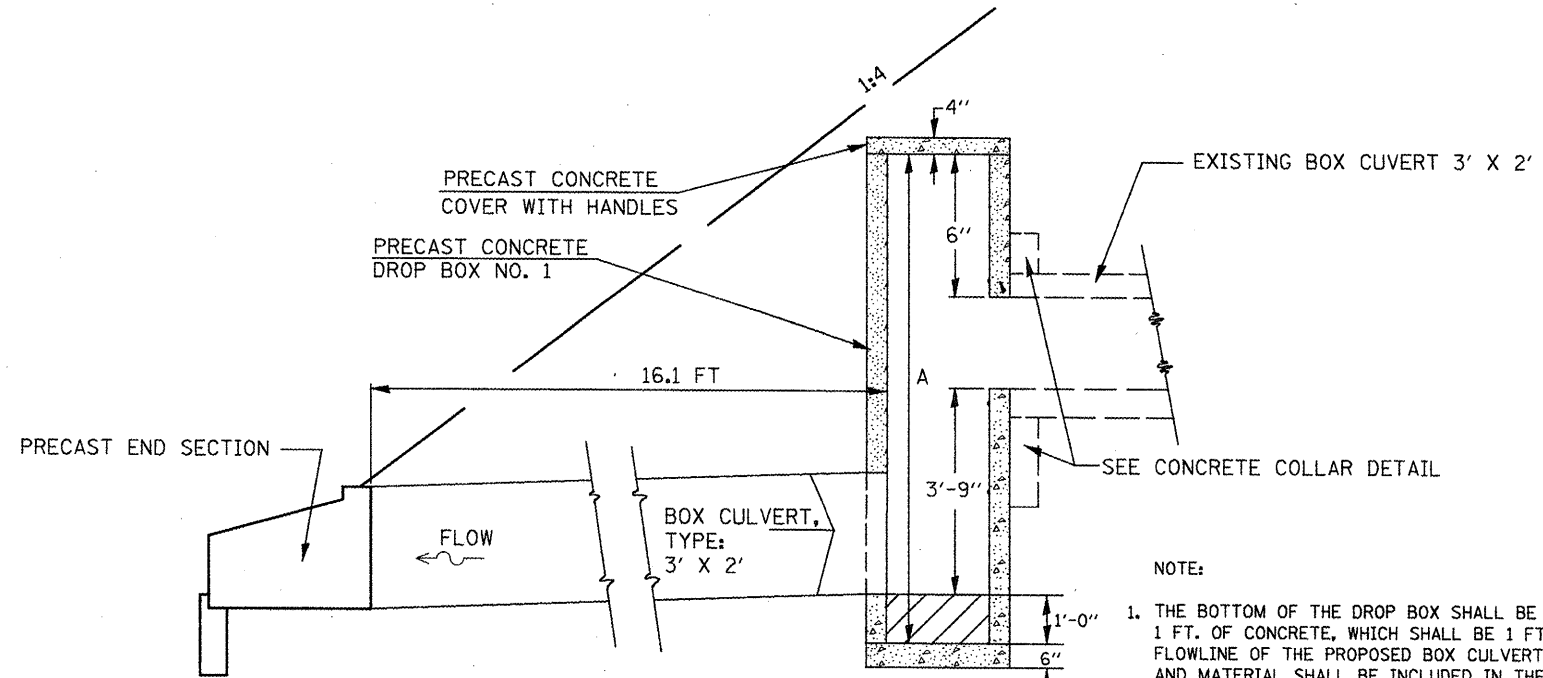


PLAN



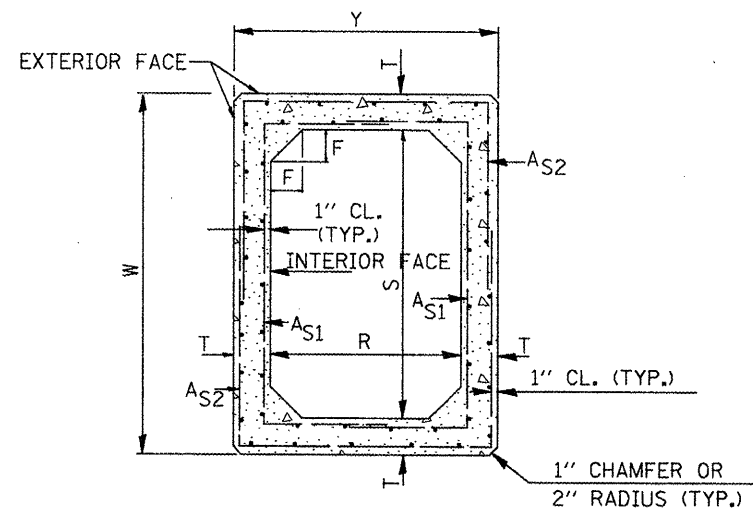
SECTION A-A

NOTE:

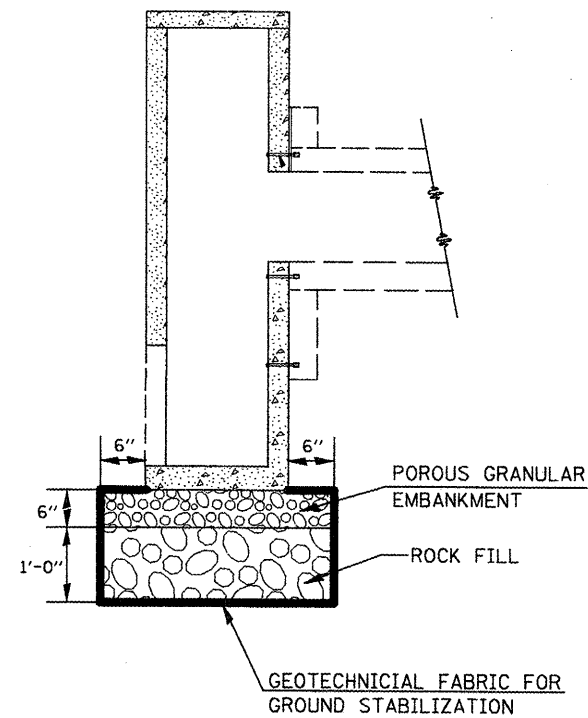
1. THE BOTTOM OF THE DROP BOX SHALL BE FILLED WITH 1 FT. OF CONCRETE, WHICH SHALL BE 1 FT. BELOW THE FLOWLINE OF THE PROPOSED BOX CULVERT. THE WORK AND MATERIAL SHALL BE INCLUDED IN THE COST OF THE DROP BOX.
2. THE TERMS AS1 & AS2 DENOTES THE MINIMUM REQUIRED STEEL AREAS FOR REINFORCEMENT AS SPECIFIED IN ASTM C 789. REINFORCEMENT SHALL BE WELDED WIRE FABRIC CONFORMING TO ASTM SPECIFICATION A185.
3. THIS WORK SHALL BE PERFORMED IN ACCORDANCE WITH SECTION 503 OF THE STANDARD SPECIFICATION.

DIMENSIONS

S x R	T	W	Y	F	A _{S1}	A _{S2}
4' X 4'	6"	5'-0"	5'-0"	5"	0.12	0.12



SECTION THRU DROP BOX



UNDERCUT TREATMENT

LOCATION	DROP BOX NO.	BOX SIZE	A	ROCK FILL	POROUS GRANULAR EMBANKMENT	GEOTECH. FABRIC	REMOVAL OF UNSUITABLE MATERIAL
		S X R	FEET	TON	TON	SQ YD	CU YD
RT. STA. 36+05.86	1	4' X 4'	7'-1"	2.7	1.4	4.0	2.0

DRAWING NOT TO SCALE