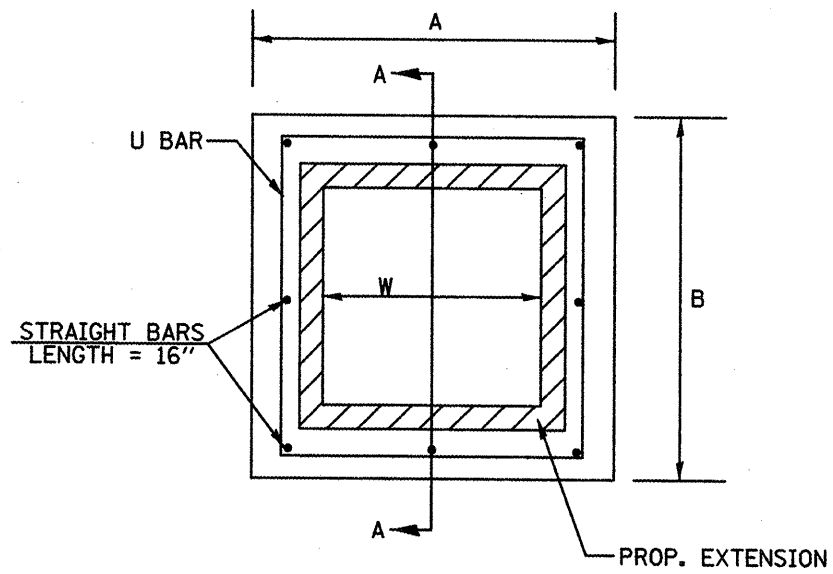
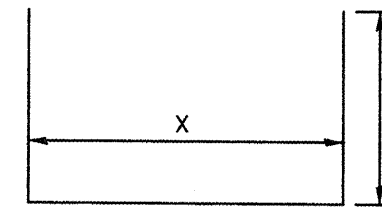


SECTION A-A

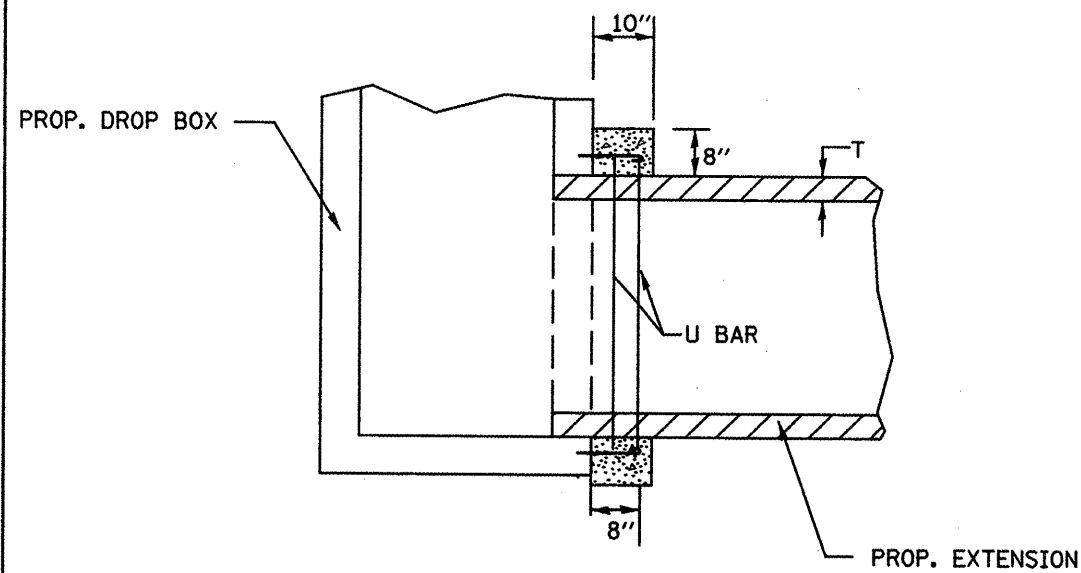


END VIEW

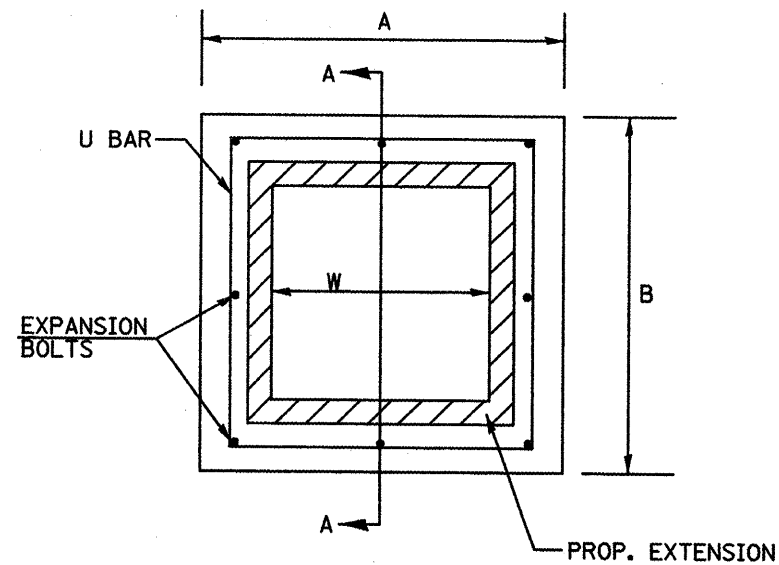


#4 U BAR
8 BARS REQUIRED
PER COLLAR
*1 FT. MIN. LAP ON U BARS

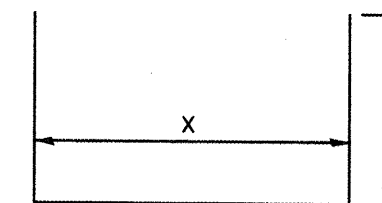
METHOD 1



SECTION A-A



END VIEW



#4 U BAR
4 BARS REQUIRED
PER COLLAR
*1 FT. MIN. LAP ON U BARS

METHOD 2

DRAWING NOT TO SCALE

FILE NAME = d-aindetail.dgn	USER NAME = ghadraem	DESIGNED -	REVISED -
		DRAWN -	REVISED -
	PLOT SCALE = 1/8" = 1' / IN.	CHECKED -	REVISED -
	PLOT DATE = 1/28/2009	DATE -	REVISED -

STATE OF ILLINOIS
DEPARTMENT OF TRANSPORTATION

COLLAR DETAIL FOR BOX
CULVERT EXTENSIONS SHEET 1 OF 2

SCALE: SHEET NO. OF SHEETS STA. TO STA.

F.A.P. RTE.	SECTION	COUNTY	TOTAL SHEETS	SHEET NO.
665	036J37W&RS-3H36R109BR-1	HENDERSON		153
FED. ROAD DIST. NO. ILLINOIS FED. AID PROJECT				CONTRACT NO. 88773