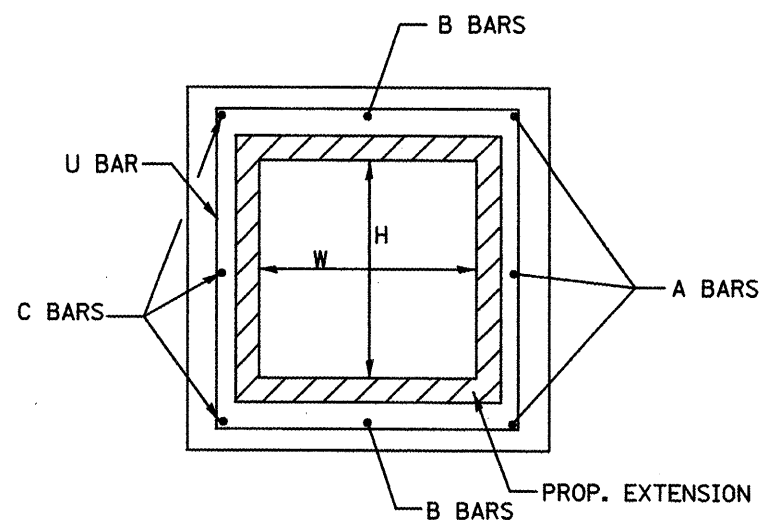
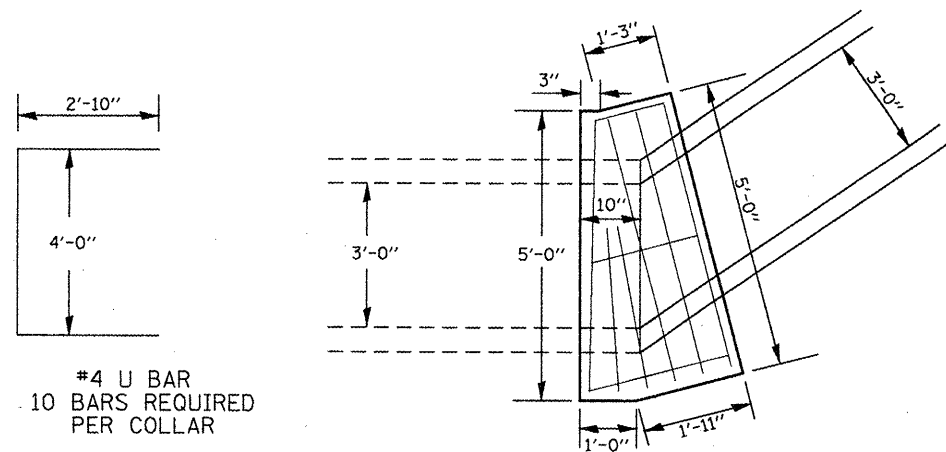


LT. STA. 36+05.86 A = 15.74°
 LT. STA. 112+47.90 A = 32.74°

CUT DIAGRAM



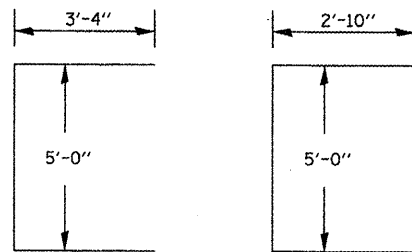
END VIEW



#4 U BAR
 10 BARS REQUIRED
 PER COLLAR

*1 FT. MIN. LAP ON U BARS

PLAN VIEW
 LT. STA. 36+05.86

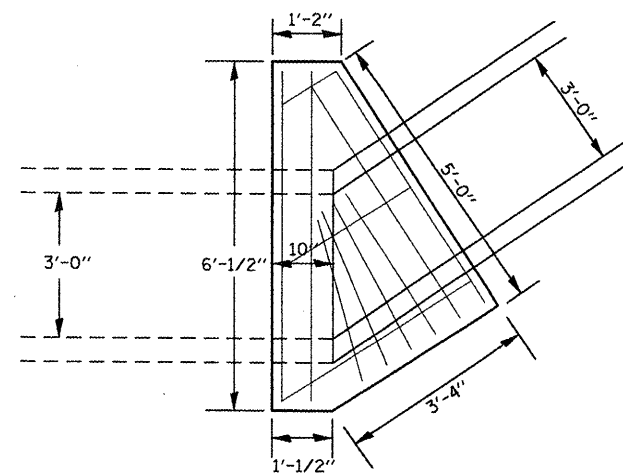


#4 U BAR
 4 BARS REQUIRED
 PER COLLAR

#4 U1 BAR
 8 BARS REQUIRED
 PER COLLAR

*1 FT. MIN. LAP ON U BARS *1 FT. MIN. LAP ON U1 BARS

PLAN VIEW
 LT. STA. 112+47.90



NOTES

1. THE COLLAR SHALL BE CONSTRUCTED ENTIRELY OF CLASS SI CONCRETE AND IN ACCORDANCE WITH THE APPLICABLE PORTIONS OF SECTION 503 OF THE STANDARD SPECIFICATIONS. REINFORCEMENT BARS SHALL CONFORM TO SECTION 508.
2. EXPANSION BOLTS SHAL CONSIST OF APPROVED EXPANSION ANCHORS, AND 3/4 HOOK BOLTS WHICH CONFORM TO SECTION 1006.08. THESE BOLTS SHALL EXTEND AT LEAST 8 INCHES INTO THE NEW CONCRETE.
3. REINFORCEMENT BARS SHALL CONFORM TO SECTION 508 OF THE STANDARD SPECIFICATION.

SKEWED CONCRETE COLLAR BILL OF MATERIAL

LOCATION	CULVERT SIZE W X H	A	B	C	CONC. COLLAR CU YD	REINF. BARS POUND
		FOOT	FOOT	FOOT		
LT. STA. 36+05.86	3' X 2'	1'-3"	2'-10"	2'-6"	0.96	77
LT. STA. 112+47.90	3' X 3'	1'-1"	2'-8"	3'-10"	1.56	102
TOTAL					2.5	179.0

DRAWING NOT TO SCALE