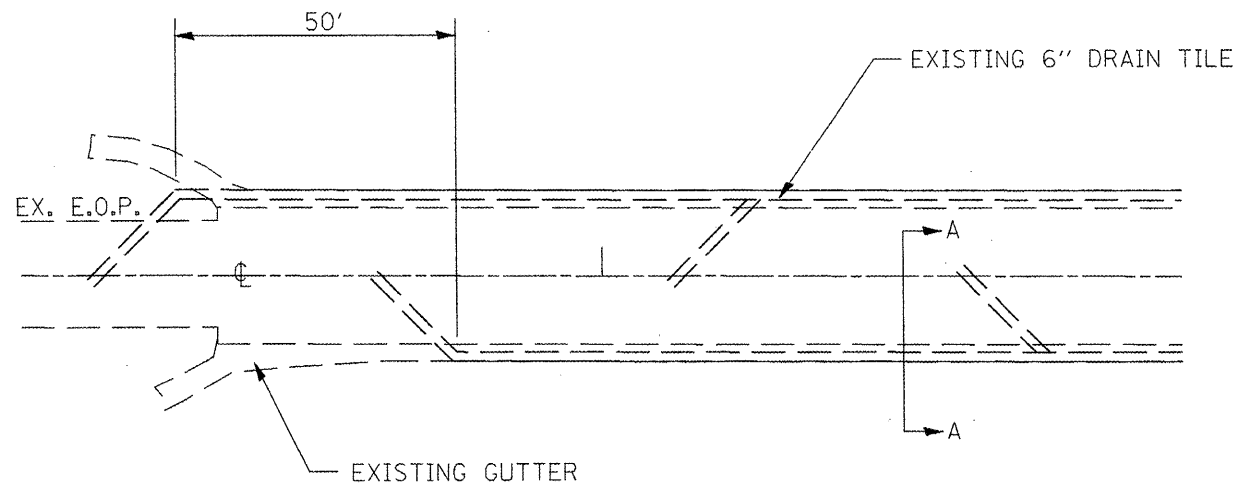


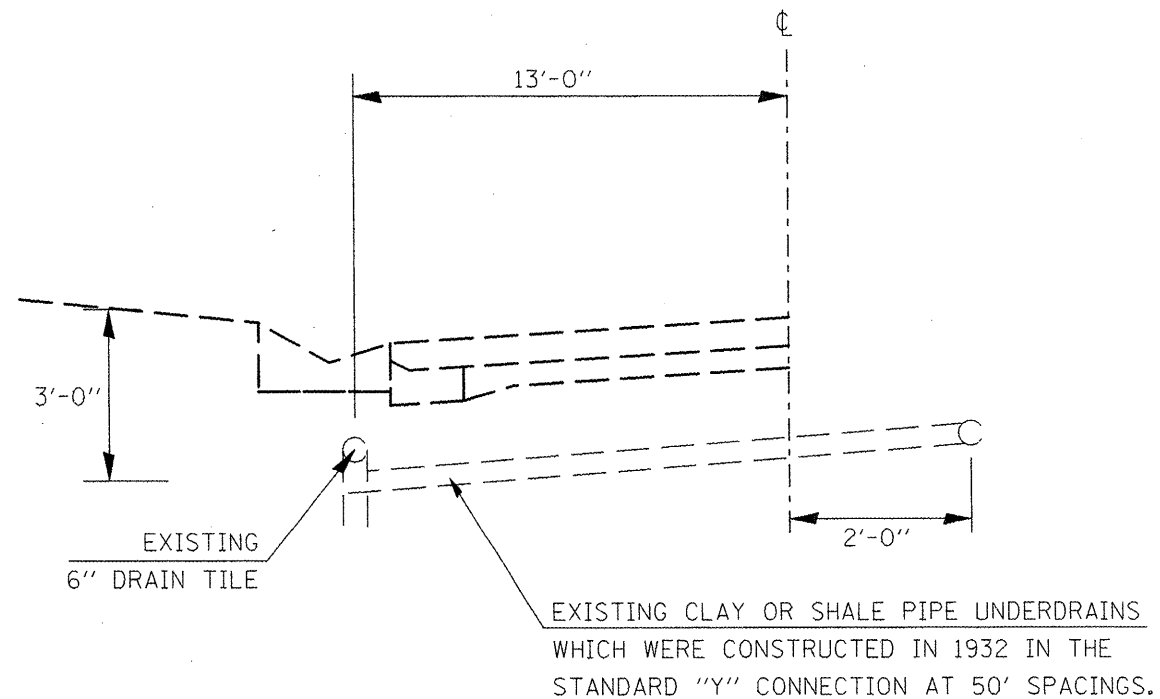
NOTE:

IT IS UNDERSTOOD THAT THERE ARE EXISTING UNDERDRAINS AT THE FOLLOWING LOCATIONS:
 RT. & LT. STA. 117+00 TO 133+00
 RT. & LT. STA. 157+25 TO 163+25

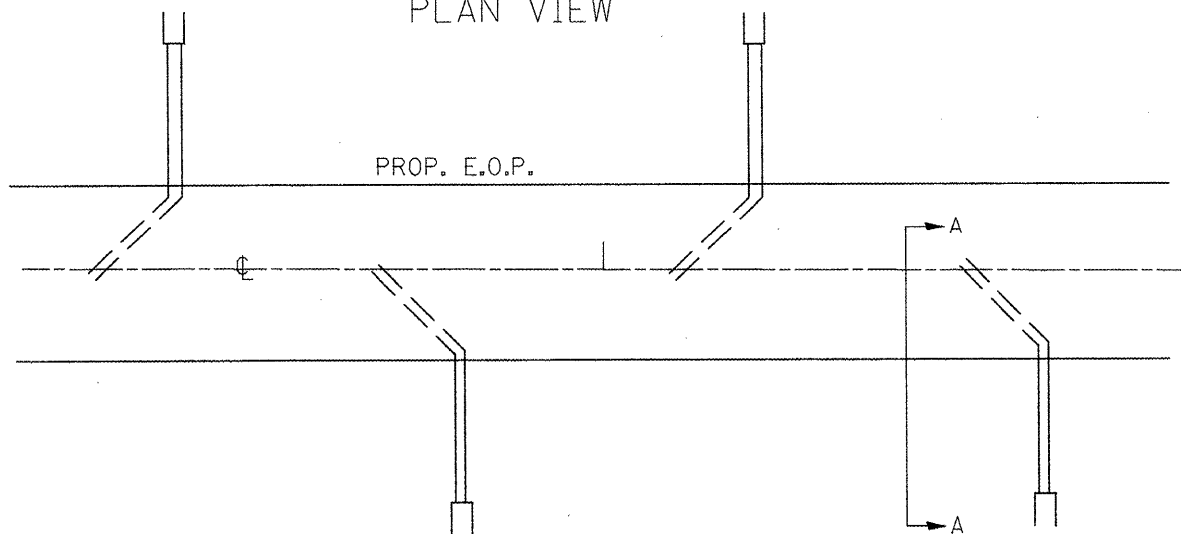
EXISTING
PLAN VIEW



EXISTING
SECTION A-A

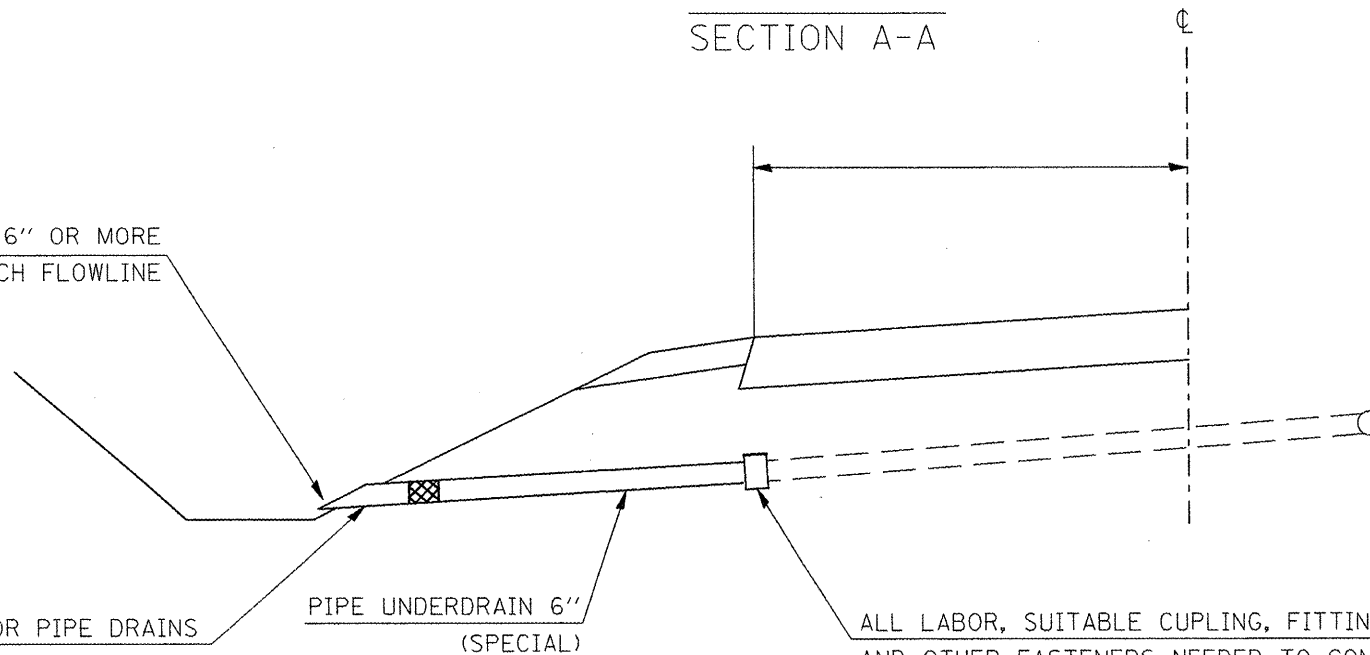


PROPOSED
PLAN VIEW



PROPOSED
SECTION A-A

TILE FLOWLINE 6" OR MORE
ABOVE DITCH FLOWLINE



CONCRETE HEADWALL FOR PIPE DRAINS
 (RODENT SHIELD SHALL BE INCLUDED IN THE COST OF
 CONCRETE HEADWALL FOR PIPE DRAINS. REFER TO
 STATE STANDARD 601101-01 FOR RODENT SHIELD DETAILS)

ALL LABOR, SUITABLE CUPLING, FITTINGS
 AND OTHER FASTENERS NEEDED TO CONNECT
 EXISTING UNDERDRAINS TO THE PROPOSED
 UNDERDRAINS SHALL BE INCLUDED IN THE
 COST OF PIPE UNDERDRAIN 6", SPECIAL

FILE NAME = sht01.dgn	USER NAME = ghidnam	DESIGNED -	REVISED -
		DRAWN -	REVISED -
		CHECKED -	REVISED -
		DATE -	REVISED -

**STATE OF ILLINOIS
DEPARTMENT OF TRANSPORTATION**

PIPE UNDERDRAIN 6", SPECIAL DETAIL			
SHEET 1 OF 2			
SCALE:	SHEET NO. OF SHEETS	STA. TO STA.	

F.A. RTE.	SECTION	COUNTY	TOTAL SHEETS	SHEET NO.
665	(136,137)W&RS-3(136R)109BR-2	HENDERSON		215
CONTRACT NO. 88773				
FED. ROAD DIST. NO. ILLINOIS FED. AID PROJECT				