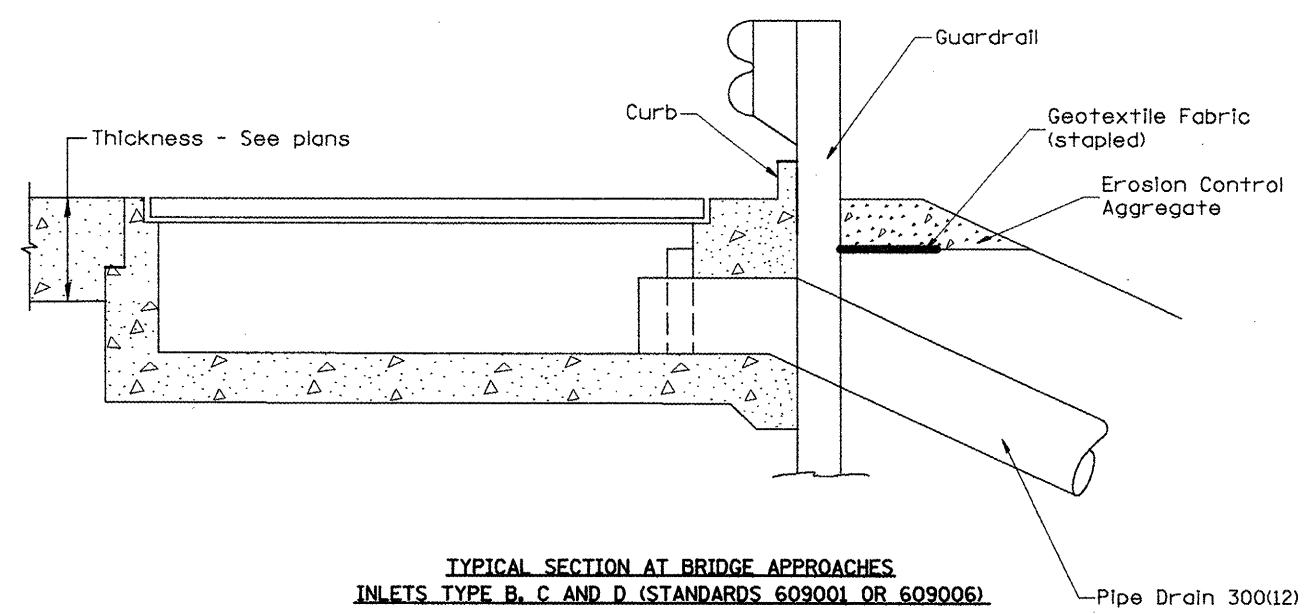
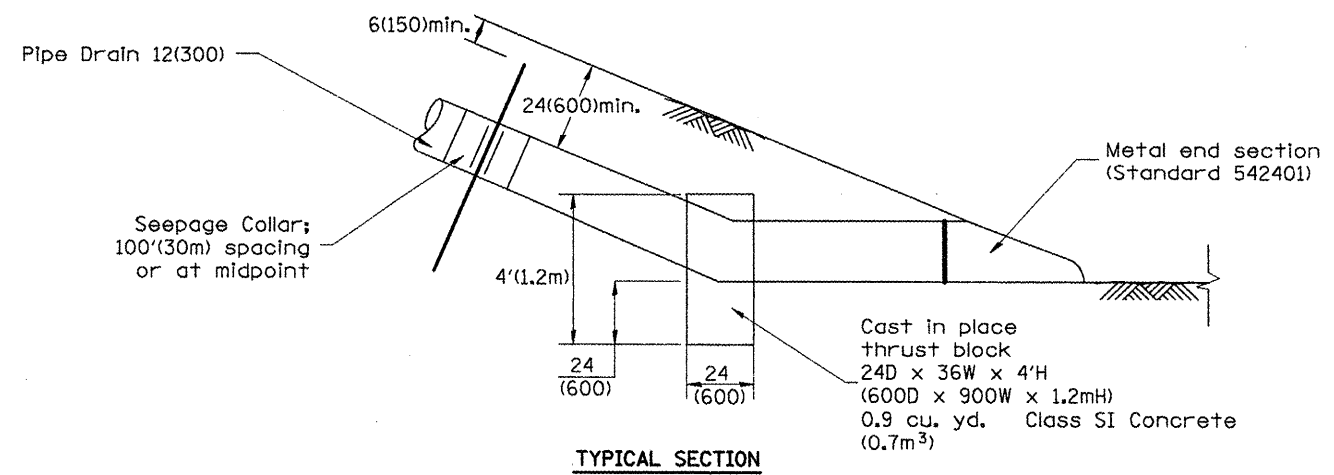


TYPICAL SECTION WITH EROSION CONTROL CURB AT INLETS TYPE E AND F (STANDARD 610001)



TYPICAL SECTION AT BRIDGE APPROACHES INLETS TYPE B, C AND D (STANDARDS 609001 OR 609006)



TYPICAL SECTION

GENERAL NOTES

1. The material for Pipe Drains shall be bituminous coated galvanized corrugated steel culvert pipe or bituminous coated corrugated aluminum alloy pipe in accordance with Article 601.02(f) or 601.02(i).
2. An approved mastic material (Article 1055.01) shall be applied to the inside of the connecting bands.

All dimensions are in inches (millimeters) unless otherwise noted.

DESIGNER NOTES:
2. INCLUDE STATE STANDARDS 609001, 609006 OR 610001, IF APPLICABLE
3. INCLUDE DISTRICT CADD STANDARDS FOR "GUARDRAIL EROSION CONTROL TREATMENTS", "SEEPAGE COLLARS FOR BURIED PIPES", AND "PIPE ELBOW"

QUANTITIES	
CALC. BY:	DATE:
CHECKED BY:	DATE:
QUANTITY CALCULATIONS ARE ON FILE AT THE DISTRICT 4 OFFICE; BUREAU OF PROJECT IMPLEMENTATION; DOCUMENTATION SECTION	

01-01-97	RENUM. H-1.04, NEW REVISION BOX, REVISED TITLE	T.P.
	BOX, REVISED DESIGNER NOTES, ADDED QUANTITY	
	CALCULATION BOX	
10-16-06	REVISED TO 2007 SPEC.	M.A.

**STATE OF ILLINOIS
DEPARTMENT OF TRANSPORTATION**

SLOPE DRAIN DETAILS FOR BURIED PIPES
NOT TO SCALE

F.A. RTE.	SECTION	COUNTY	TOTAL SHEETS	SHEET NO.
				237
CONTRACT NO.				
FED. ROAD DIST. NO. ILLINOIS FED. AID PROJECT				

CADD STD. 601101-04