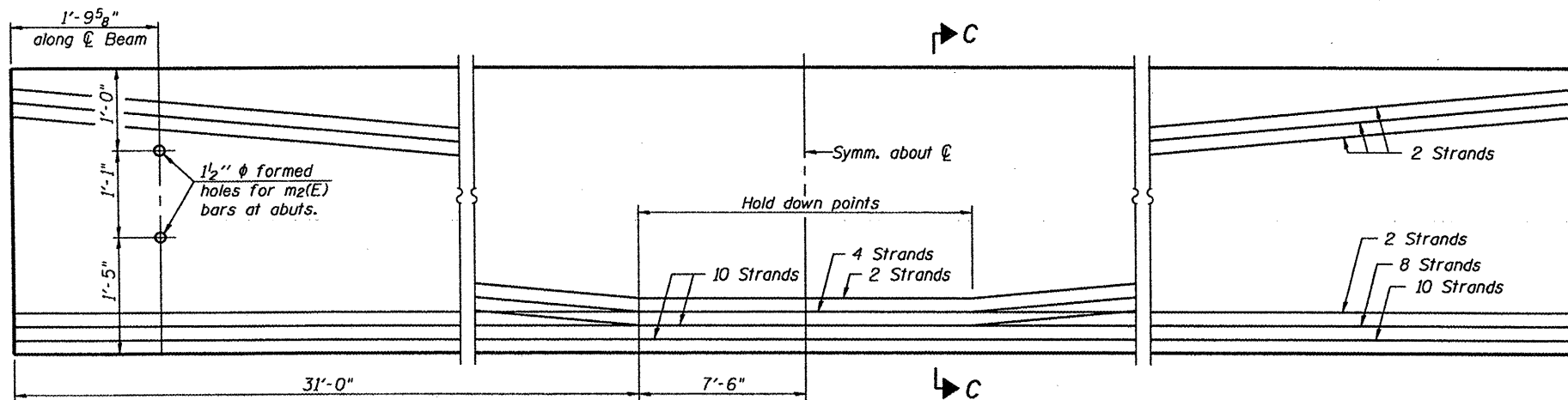


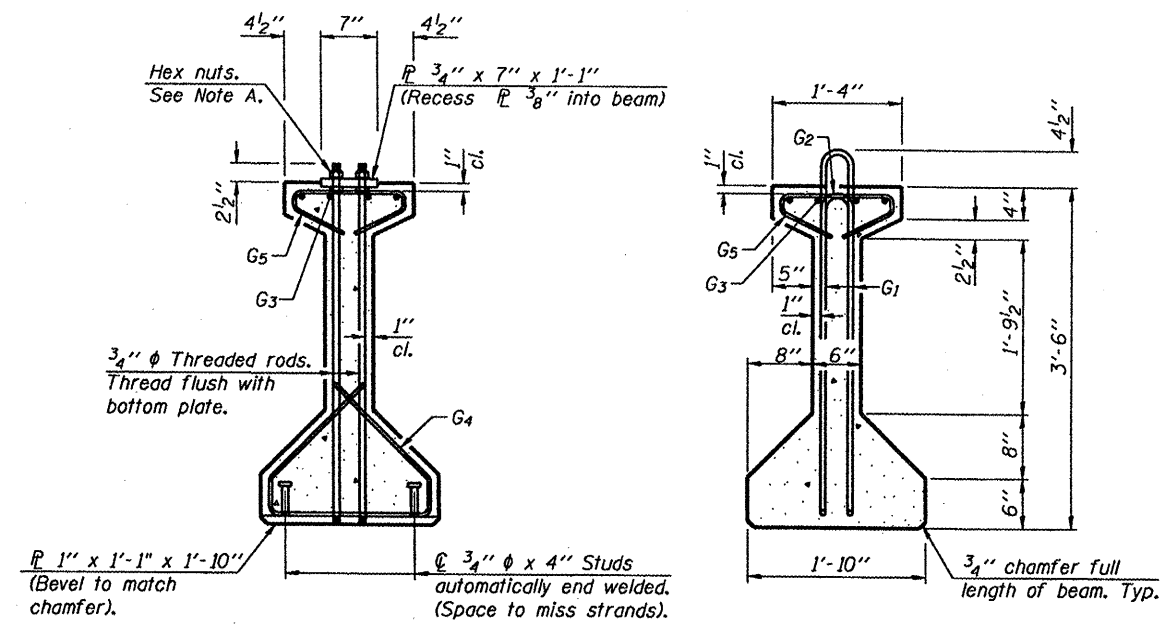
ELEVATION OF BEAM
(Showing reinforcement & dimensions)

*3 spaces at 3" = 9".
**4-3/4" φ threaded dowel rods at 3' cts., Each Face.

Note A:
Hex nuts (top and bottom) with lock washers (top). Only tighten sufficiently to compress lock washers.

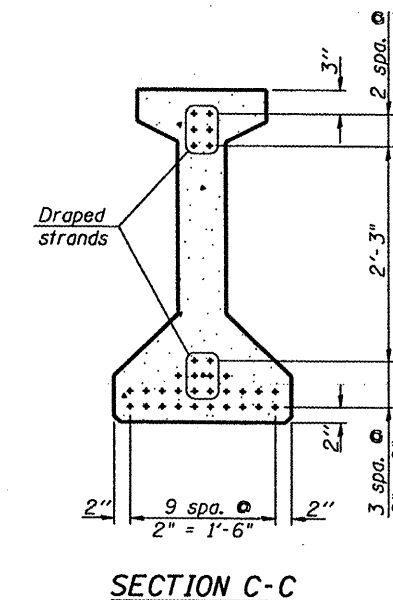


ELEVATION OF BEAM
(Showing prestressing steel)



SECTION A-A

SECTION B-B



SECTION C-C

*****BAR LIST**
ONE BEAM ONLY

Bar	No.	Size	Length	Shape
G ₁	129	#4	8'-5"	⏏
G ₂	10	#4	6'-8"	⏏
G ₃	8	#6	39'-6"	—
G ₄	38	#3	4'-11"	⏏
G ₅	77	#3	2'-6"	⏏

***For information only

Notes:
See sheet 11 of 17 for additional details and Bill of Material.
Required release strength, f'cl, shall be 6,000 psi.

DESIGNED	MJJ
CHECKED	ALN
DRAWN	MJJ
CHECKED	ALN

THOUVENOT, WADE & MOERCHEN, INC.
CORPORATE OFFICE
4940 Old Collinsville Road
Swansea, Illinois 62226
Tel: 618.624.4488
Fax: 618.624.6688
SWANSEA • WATERLOO • EDWARDSVILLE • CARBONDALE • ST. CHARLES



SHEET NO. 10 SHEETS 17	F.A.P. RTE. 534	SECTION 109BR-2	COUNTY HENDERSON	TOTAL SHEETS 490	SHEET NO. 437
	CONTRACT NO. 88773			FED. ROAD DIST. NO. 7 ILLINOIS FED. AID PROJECT	

42" PPC I-BEAM
STRUCTURE NO. 036-0069

1/21/2009 10:02:05 AM