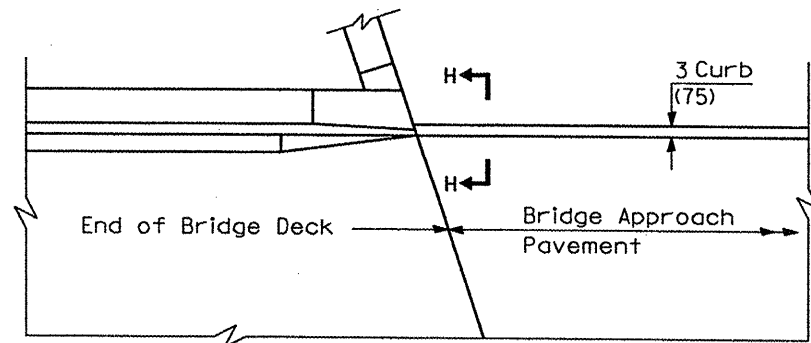
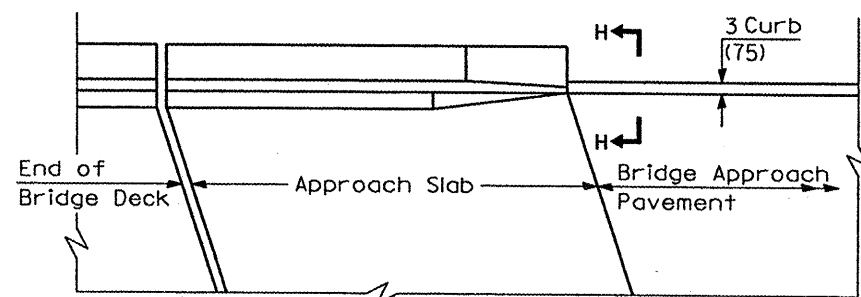


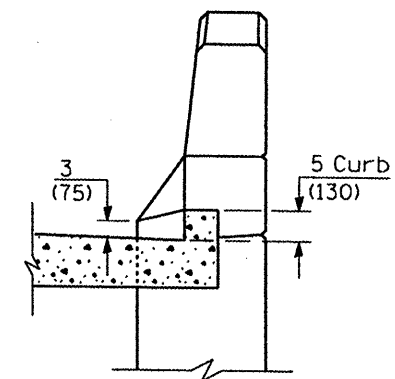
**PARAPET TO CURB TRANSITION
PILE BENT ABUTMENT**



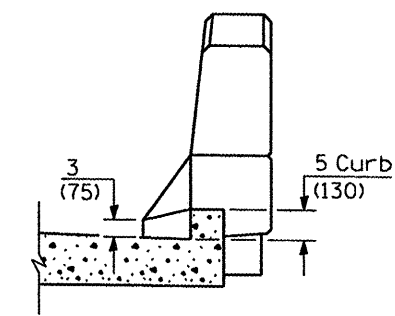
**PARAPET TO CURB TRANSITION
INTEGRAL ABUTMENT**



**PARAPET TO CURB TRANSITION
VAULTED ABUTMENT**



SECTION I - I



SECTION H - H

FILE NAME =	USER NAME = jstein	DESIGNED - JWS	REVISED -
F:\050301\dgn\CADD SHEETS\0488773-ah-29-032-details-approachslab.dgn		DRAWN - JWS	REVISED -
		CHECKED - SJK	REVISED -
		DATE - 1/21/2009	REVISED -

**STATE OF ILLINOIS
DEPARTMENT OF TRANSPORTATION**

BRIDGE APPROACH PAVEMENT DETAILS

SCALE: 1" = 50' SHEET NO. 4 OF 4 SHEETS STA. TO STA.

F.A.P. RTE.	SECTION	COUNTY	TOTAL SHEETS	SHEET NO.
534	136.137W&RS-3:136R:109BR-2	HENDERSON	49	49
FED. ROAD DIST. NO. 7 ILLINOIS FED. AID PROJECT			CONTRACT NO. 80113	