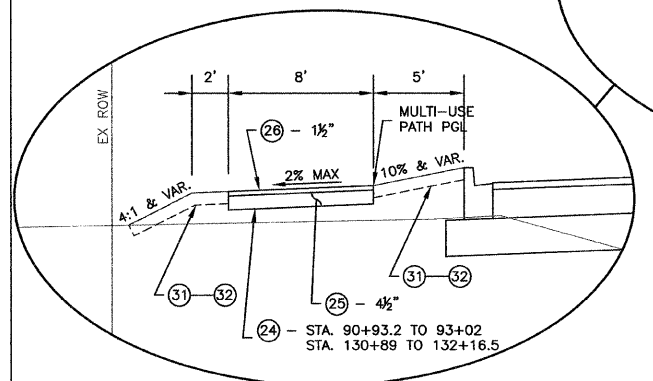
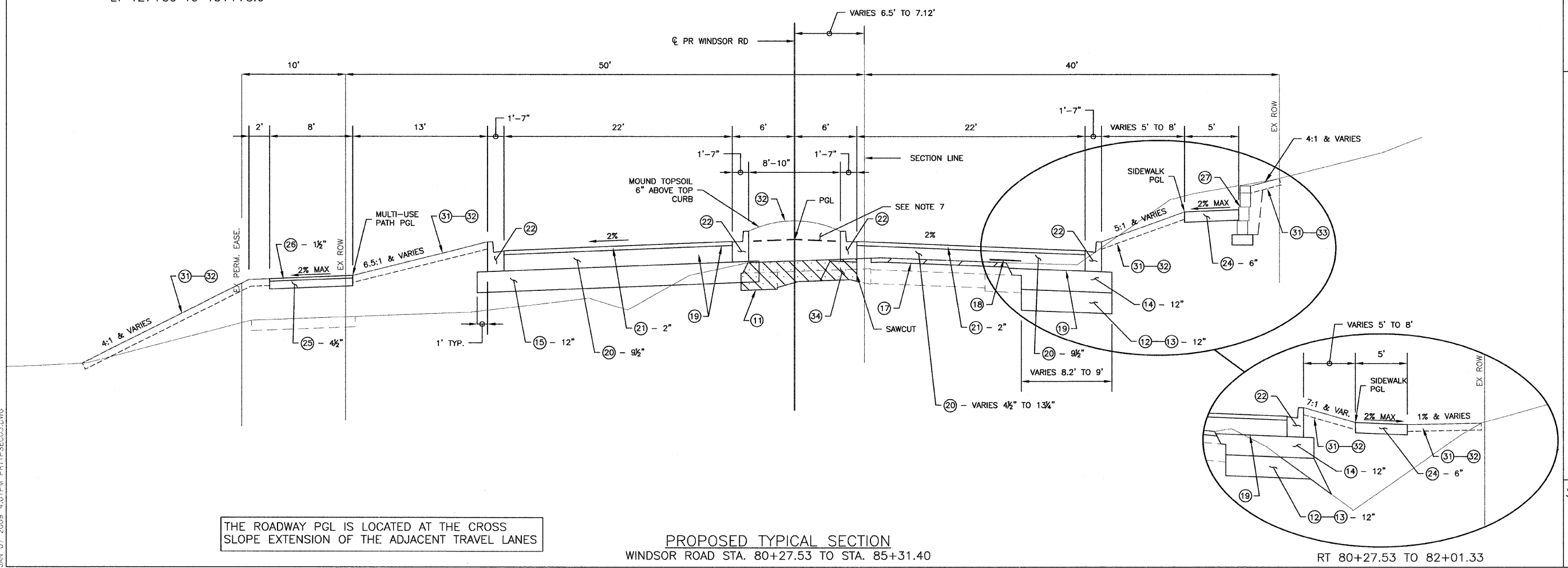


PROPOSED TYPICAL SECTION  
WINDSOR ROAD STA. 89+40.8 TO STA. 92+85  
WINDSOR ROAD STA. 127+50 TO STA. 131+78.6



LT 127+50 TO 131+78.6



PROPOSED TYPICAL SECTION  
WINDSOR ROAD STA. 80+27.53 TO STA. 85+31.40

RT 80+27.53 TO 82+01.33

THE ROADWAY PGL IS LOCATED AT THE CROSS  
SLOPE EXTENSION OF THE ADJACENT TRAVEL LANES

JAN 07 2009 4:01PM PRTPSEC03.DWG