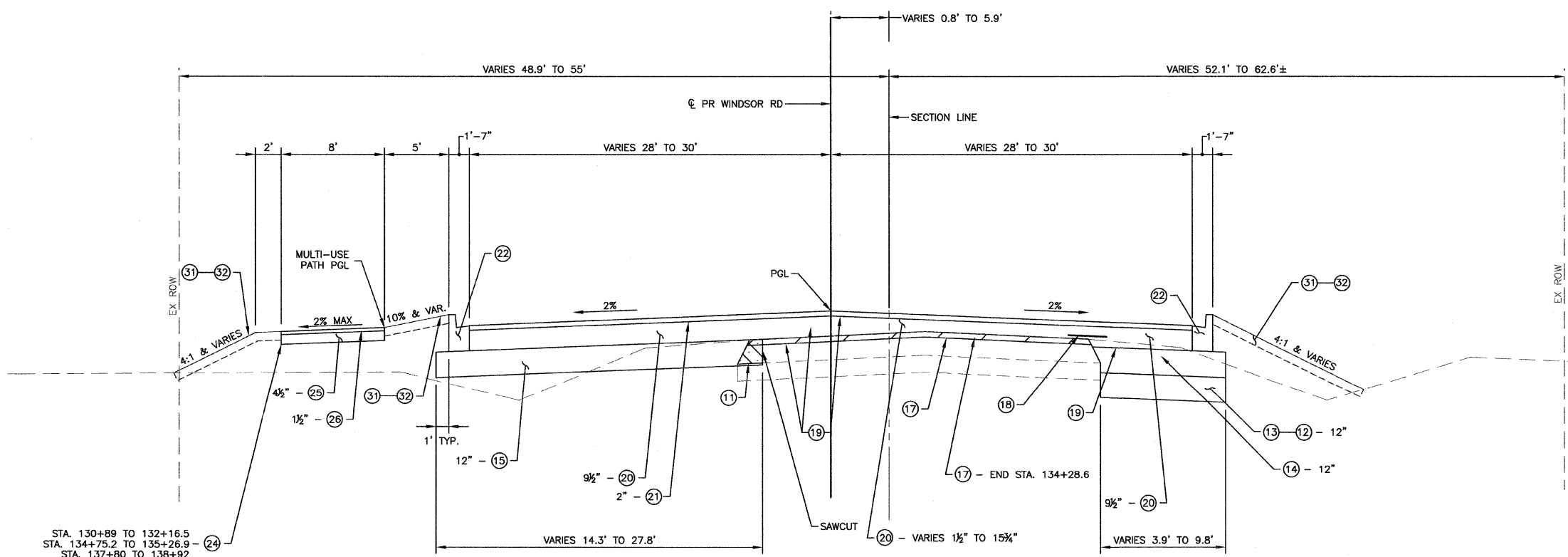


PROPOSED TYPICAL SECTION
WINDSOR ROAD STA. 139+72 TO STA. 141+50



PROPOSED TYPICAL SECTION
WINDSOR ROAD STA. 131+78.6 TO STA. 139+72

JAN 07 2009 4:01PM PRTYPSEC05.DWG