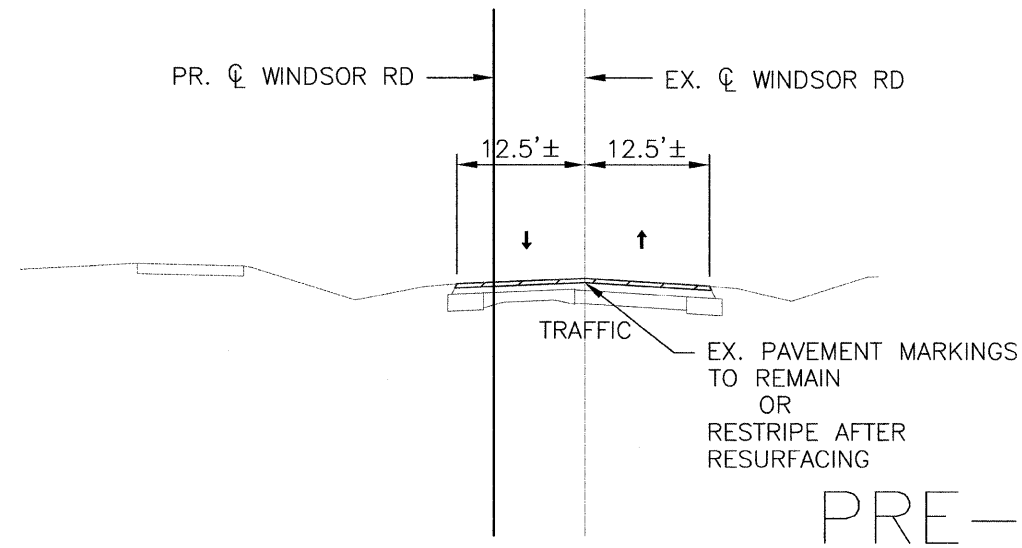


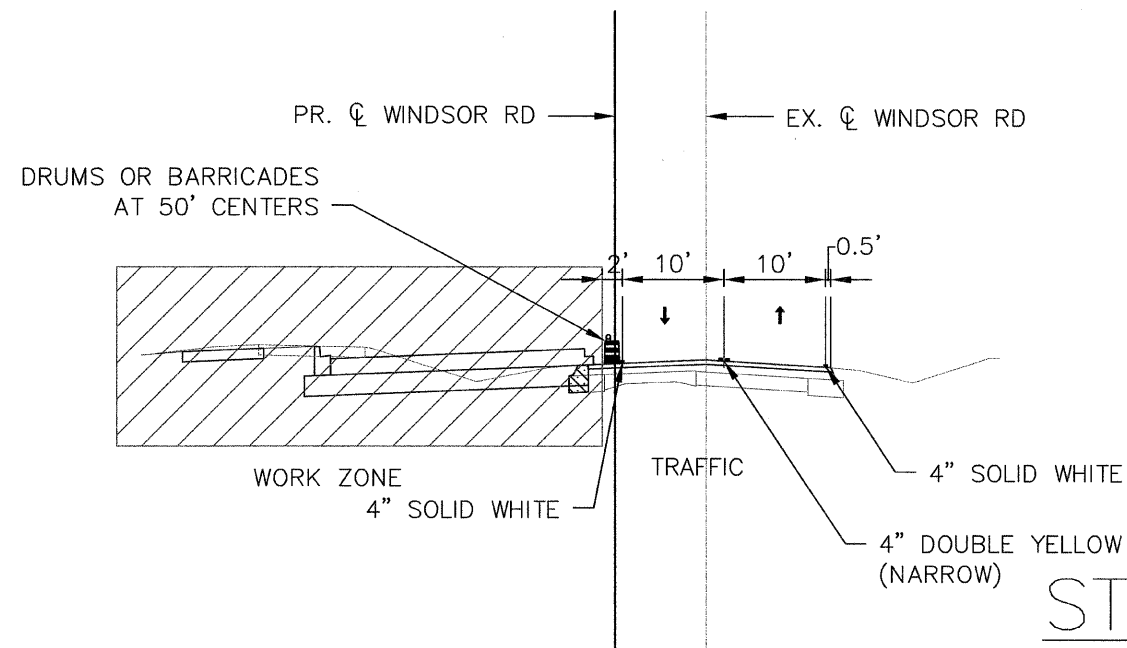


STAGING NOTES

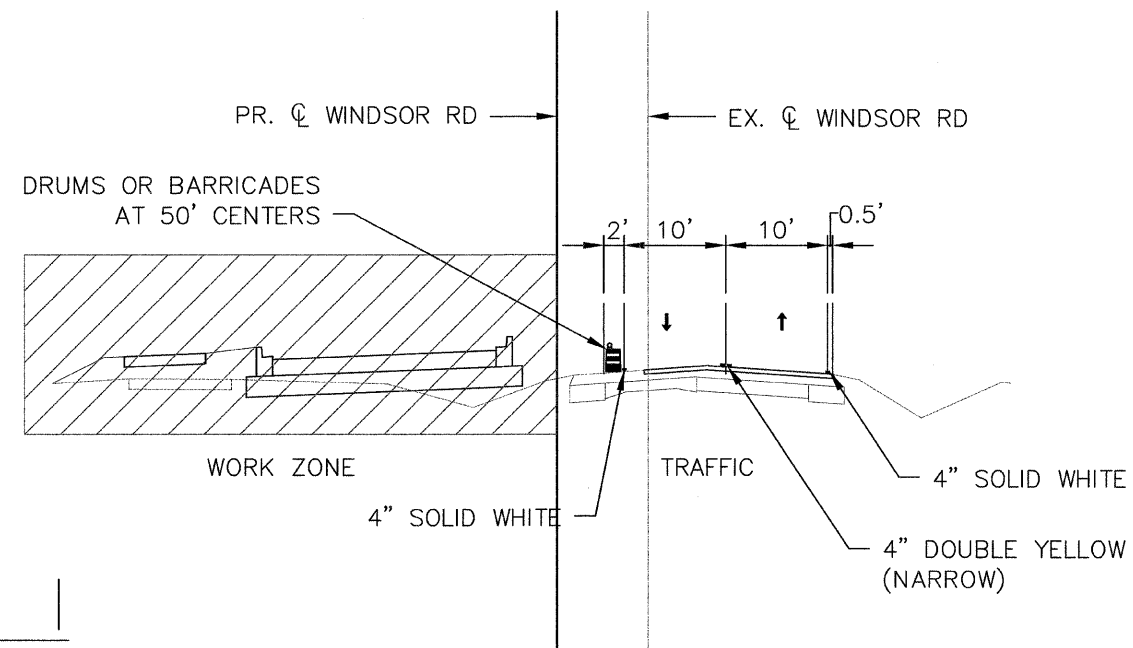
- THE STAGING SHOWN IS THE SUGGESTED CONSTRUCTION STAGING FOR THIS PROJECT.
- THE PURPOSE OF THIS STAGING IS TO MINIMIZE DELAYS TO THE MOTORISTS AND PROVIDE ORGANIZATION TO PROJECT CONSTRUCTION.
- THE CONTRACTOR MAY ALTER THE SEQUENCE OF CONSTRUCTION WITH THE PRIOR APPROVAL OF THE ENGINEER.
- PRIOR TO THE START OF CONSTRUCTION, REQUIRED TRAFFIC CONTROL DEVICES SHALL BE IN PLACE.
- IT IS THE INTENT THAT WINDSOR ROAD REMAIN OPEN TO TRAFFIC AT ALL TIMES. DURING HOURS OF CONSTRUCTION TRAFFIC MAY BE REDUCED TO ONE LANE WITH TRAFFIC BEING CONTROLLED BY FLAGGERS AS SHOWN ON THE APPLICABLE HIGHWAY STANDARDS. AT OTHER TIMES WHEN CONSTRUCTION IS NOT TAKING PLACE A MINIMUM OF TWO LANES, ONE IN EACH DIRECTION SHALL BE MAINTAINED.
- ACCESS TO ALL SIDE STREETS SHALL BE MAINTAINED AT ALL TIMES UNLESS OTHERWISE NOTED.
- PROPER DRAINAGE SHALL BE MAINTAINED AT ALL TIMES.
- THE TIP OF THE CLASS C PATCHES SHALL NOT EXCEED THE TOP SURFACE ELEVATION OF THE EXISTING PAVEMENT.



PRE-STAGE I



STAGE I



PRE-STAGE I

- TEMPORARILY LOCATE CHANGEABLE MESSAGE SIGNS
- INSTALL REQUIRED TRAFFIC CONTROL DEVICES
- MAINTAIN TWO-WAY TRAFFIC (SEE STAGING NOTES)
- INSTALL THE FOLLOWING STORM SEWER SYSTEMS IN PREPARATION FOR STAGE I:

STRUCTURE NO. 1 TO NO. 47
STRUCTURE NO. 84 TO NO. 87
STRUCTURE NO. 116 TO NO. 118
STRUCTURE NO. 132 TO NO. 134
STRUCTURE NO. 134 TO NO. 143
STRUCTURE NO. 147 TO NO. 151

- PERFORM HMA SURFACE REMOVAL, 2½" TO REMOVE EXISTING DELAMINATED TOP SURFACE.
- INSTALL 2½" OF HMA BINDER N90 AT LOCATIONS WHERE HMA SURFACE REMOVAL WAS PREVIOUSLY PERFORMED.
- INSTALL TEMPORARY PAINT PAVEMENT MARKING PER STAGE I TYPICAL SECTIONS AND DETAILS.
- ADJUST TRAFFIC CONTROL DEVICES IN PREPARATION FOR STAGE I.

STAGE I

- MAINTAIN TWO-WAY THRU TRAFFIC (SEE STAGING NOTES).
- CONSTRUCT NORTH SIDE REMAINING STORM SEWER, WIDENING, RETAINING WALLS, CURB & GUTTER, SIDEWALKS, ENTRANCES, GRADING AND LANDSCAPING.
- PLACE HMA BINDER THRU TOP LIFT. PLACE NECESSARY HMA BINDER TO MAINTAIN POSITIVE DRAINAGE. PLACE NECESSARY HMA BINDER TO PROVIDE ACCESS TO SIDE STREETS AND ENTRANCES.
- INSTALL TEMPORARY PAINT MARKING PER STAGE II TYPICAL SECTIONS AND DETAILS.
- ADJUST TRAFFIC CONTROL DEVICES IN PREPARATION FOR STAGE II.

JAN 07 2009 5:16PM STAGEMOT 02.DWG