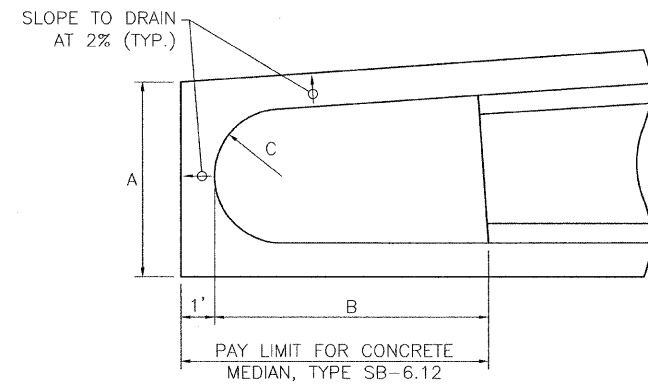


- NOTES:
1. THE PIPE UNDERDRAINS SHALL BE PLACED AT THE LOCATIONS SHOWN ON DRAINAGE SHEETS.
 2. THE PIPE UNDERDRAINS SHALL BE OUTLET INTO PROPOSED DRAINAGE STRUCTURES AS SHOWN ON THE DRAINAGE SHEETS.
 3. THE PIPE UNDERDRAINS WILL BE PAID FOR AT THE CONTRACT UNIT PRICE PER FOOT WHICH WILL INCLUDE ALL LABOR, EQUIPMENT, PIPE, FABRIC ENVELOPE, TRENCHING, AND SAND BACKFILL.
 4. THE APPLICABLE ARTICLES OF SECTION 601 OF THE STANDARD SPECIFICATIONS SHALL APPLY EXCEPT DELETE ALL REFERENCE TO MEASUREMENT AND PAYMENT.

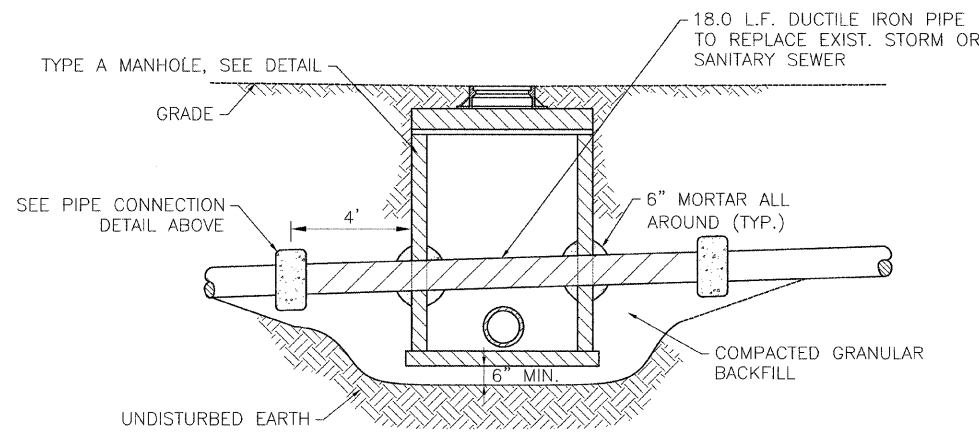
PIPE UNDERDRAIN DETAIL
CURB & GUTTER TYPICAL SECTION



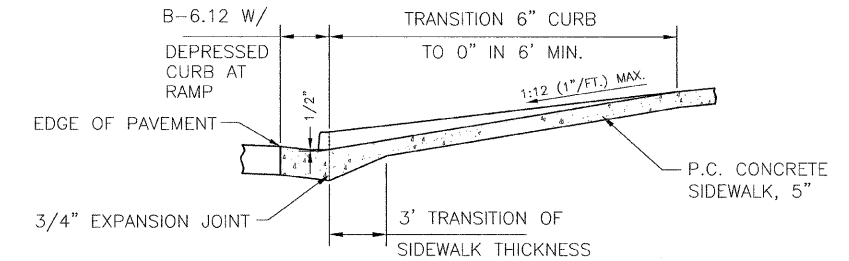
MEDIAN DIMENSIONS				
LOCATION	A	B	C	
72+54.53, 6.00' RT.	5.80'	8.13'	2.00'	
74+62.47, 6.00' LT.	5.80'	8.03'	2.00'	
80+27.53, 6.00' LT.	5.80'	8.15'	2.00'	
85+31.40, 6.00' LT.	5.80'	8.01'	2.00'	
92+85.00, 6.00' RT.	12.00'	11.06'	5.00'	
120+39.78, 6.00' LT.	5.80'	8.02'	2.00'	

- NOTES:
- 1.) THE RAMPED CONCRETE MEDIAN NOSES SHALL BE CONSTRUCTED IN ACCORDANCE WITH STD. 606301 AND SECTION 606 OF THE STANDARD SPECIFICATIONS.

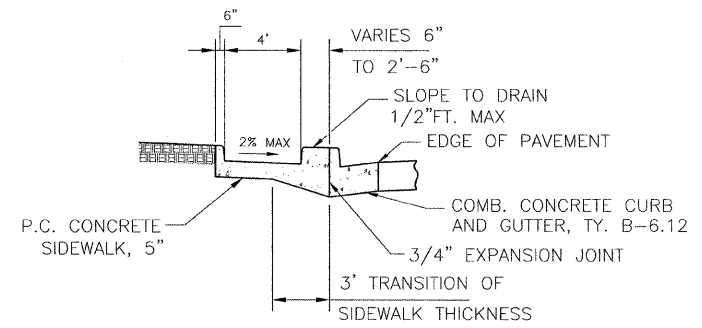
CONCRETE MEDIAN NOSE DETAIL



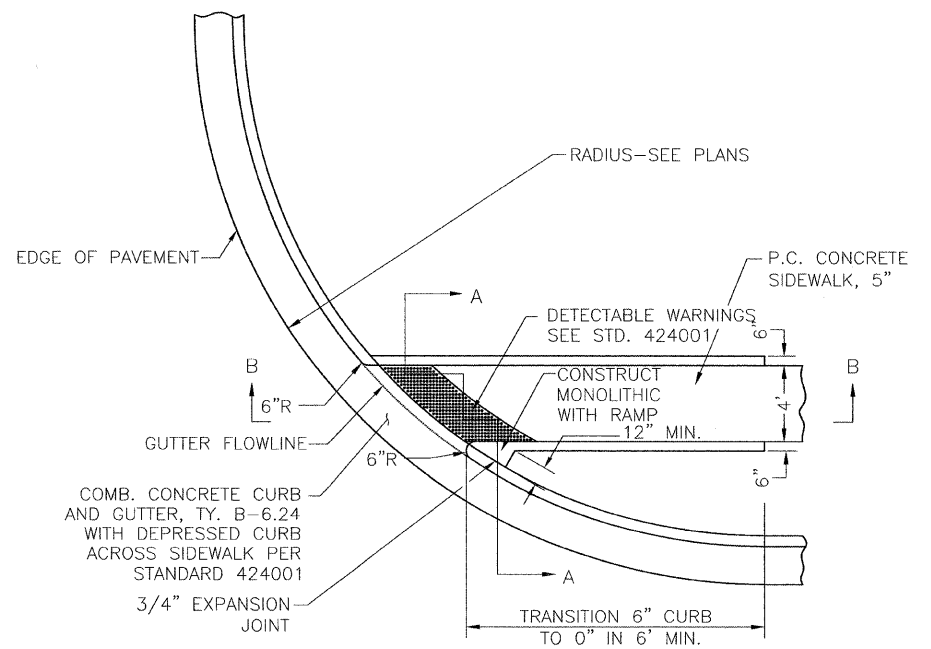
TYPICAL CONFLICT MANHOLE



SECTION A-A



SECTION B-B



PLAN

SIDEWALK RAMP DETAILS

SIDEWALK GENERAL NOTES

- THE COST OF CONSTRUCTING THE DEPRESSED CURB AS SHOWN SHALL BE CONSIDERED INCLUDED IN THE COST OF CONSTRUCTING COMBINATION CONCRETE CURB AND GUTTER TYPE B-6.24 AND NO ADDITIONAL COMPENSATION WILL BE ALLOWED.
- THE COST OF FURNISHING AND INSTALLING THE 3/4" EXPANSION JOINTS AND THE COST OF CONSTRUCTING THE P.C.C. SIDEWALK THICKNESS TRANSITION, INCLUDING THE ADJACENT CURBING AS SHOWN, SHALL BE INCLUDED IN THE COST OF CONSTRUCTING P.C. CONCRETE SIDEWALK 6" AND NO ADDITIONAL COMPENSATION WILL BE ALLOWED.
- DETECTABLE WARNINGS SHALL BE CONSTRUCTED IN ACCORDANCE WITH STD. 424001 AND THE SPECIAL PROVISIONS. THIS WORK WILL BE PAID FOR AT THE CONTRACT UNIT PRICE PER SQUARE FOOT FOR DETECTABLE WARNINGS. SEE PLANS FOR DETAILS.
- THE NORMAL CROSS SLOPES OF SIDEWALKS SHALL BE 2.0% MAXIMUM EXCEPT AT THE RAMP LOCATIONS.