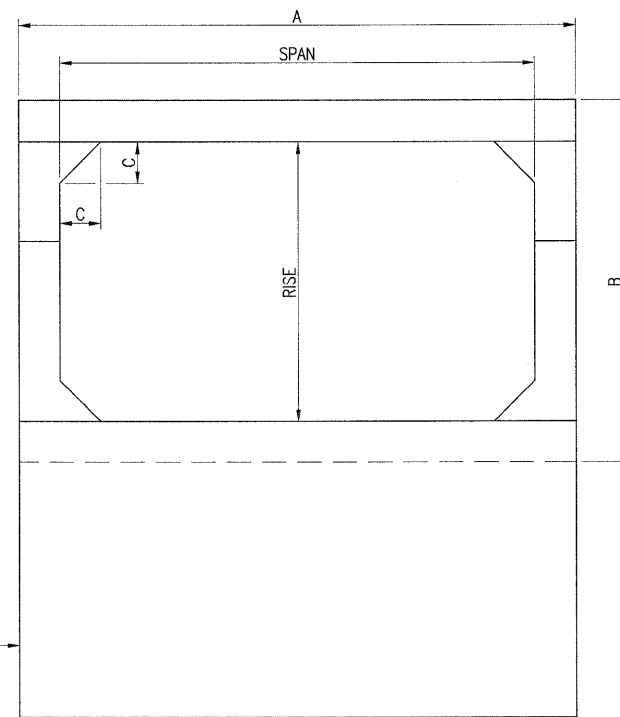
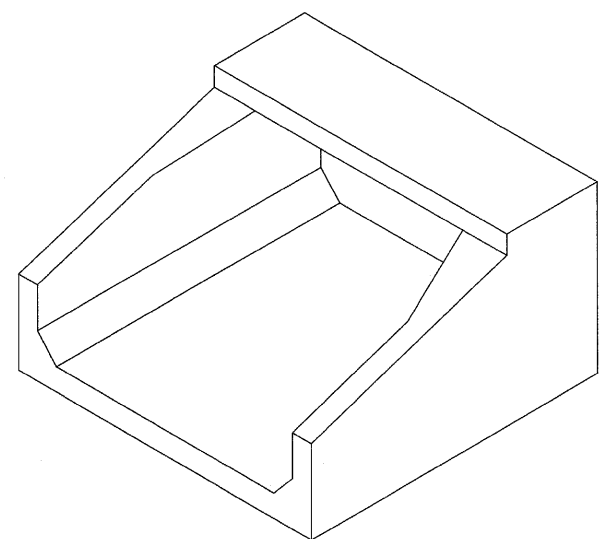


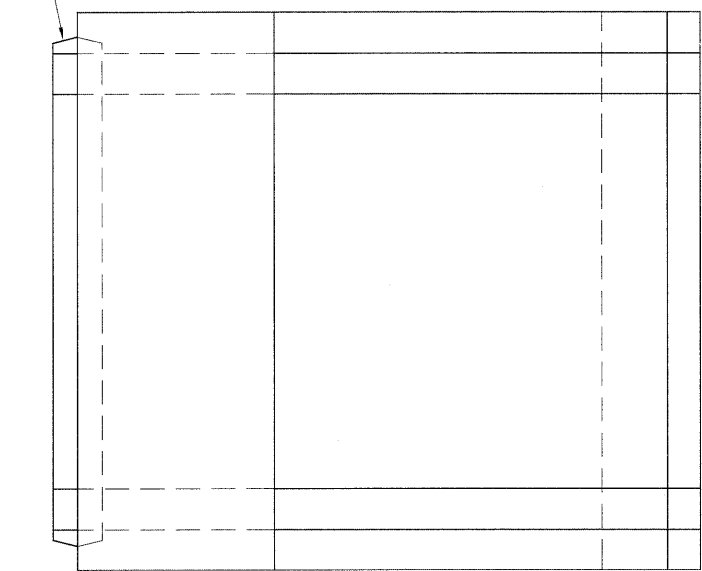
SIDE VIEW



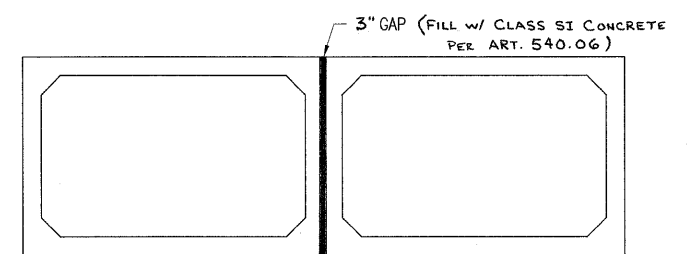
END VIEW



ISOMETRIC VIEW



PLAN VIEW



MULTIPLE CELL CULVERTS

SPAN X RISE (FT.)	T (IN.)	A (FT.-IN.)	B (FT.-IN.)	C (IN.)	E (FT.-IN.)	F (FT.-IN.)	G (FT.-IN.)	H (FT.-IN.)	SLOPE
6' X 3'	7"	7'-2"	4'-2"	7"	2'-0"	4'-0"	1'-8"	1'-4"	3:1
6' X 4'	7"	7'-2"	5'-2"	7"	2'-0"	4'-0"	2'-0"	2'-0"	2:1

LAYOUT 6/30/08
 DRAWN 7/30/08
 REVIEWED LDK 7/29/08
 AUG 06, 2008 11:06 AM
 \A\074695\0710016\CADD\ROAD\SHEET\C-501DET.DWG

HANSON
 Hanson Professional Services Inc.
 1525 South Sixth Street, Springfield, IL 62703
 Registration No. 194-001084
 © Copyright Hanson Professional Services Inc. 2008

DESIGNED -	REVISED -
DRAWN -	REVISED -
CHECKED -	REVISED -
DATE - 08-08-08	REVISED -

**STATE OF ILLINOIS
 DEPARTMENT OF TRANSPORTATION**

**BOX CULVERT END SECTION DETAILS
 5th STREET ROAD
 LOGAN COUNTY, ILLINOIS**

SCALE: PAGE 1 OF 5 STA. TO STA.