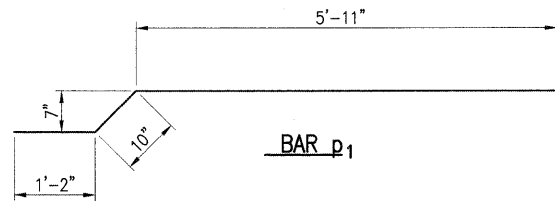
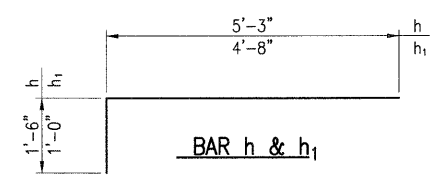
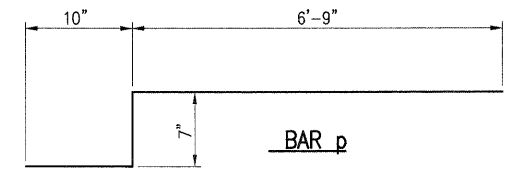
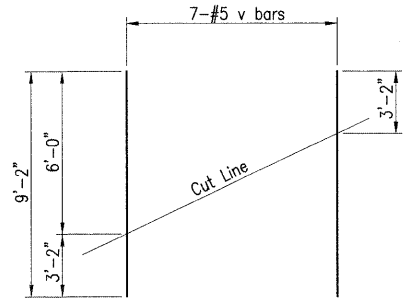


PLAN VIEW



BILL OF MATERIAL

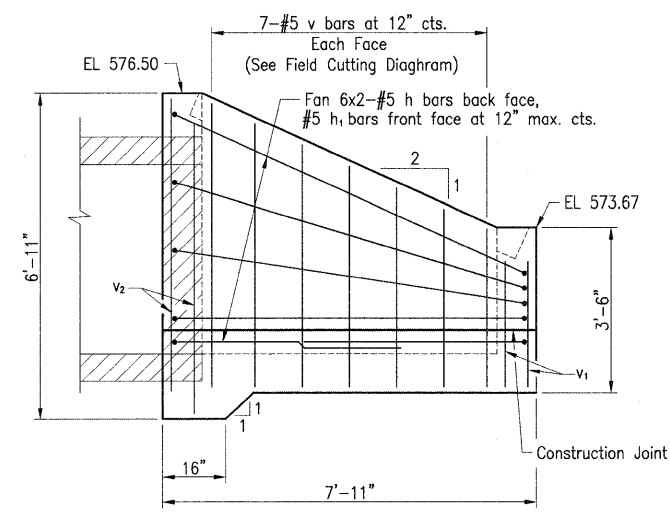
BAR.	NO.	SIZE	LENGTH	SHAPE
h	24	#5	6'-9"	
h1	24	#5	5'-8"	
h2	29	#5	18'-0"	
p	19	#5	8'-2"	
p1	19	#5	7'-11"	
V	14	#5	9'-2"	
V1	38	#5	2'-8"	
V2	12	#5	6'-2"	
CONCRETE STRUCTURES				Cu. Yd. 8.70
REINFORCEMENT BARS				Lbs. 1490



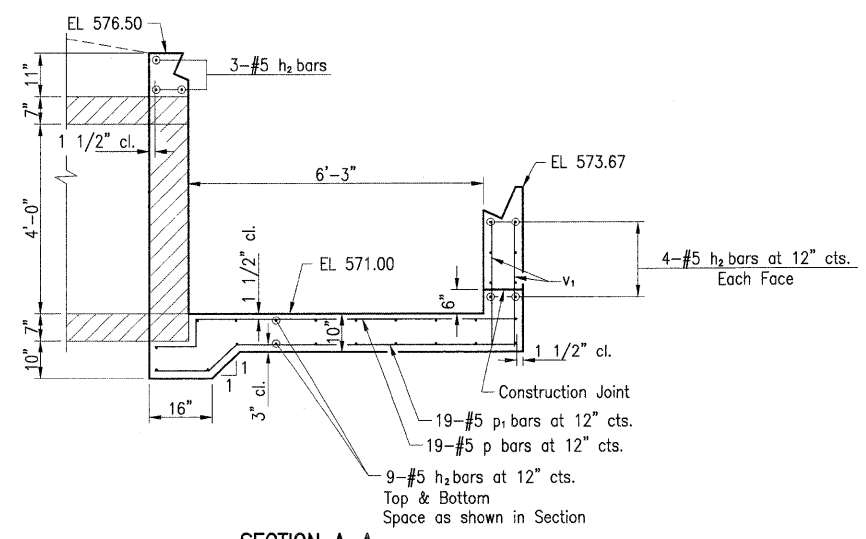
FIELD CUTTING DIAGRAM

Order v bar full length. Cut as shown and use remainder of bars in opposite face.

NOTES: CLASS SI CONCRETE SHALL BE USED.



SIDE VIEW



SECTION A-A

Min Bar Laps

#5 - 2'-2"

LAYOUT 6/30/08  
 DRAWN 7/30/08  
 REVIEWED 7/29/08  
 AUG 06, 2008 11:07 AM  
 I:\07\008\0710016\CADD\ROAD\SHEET\G-502DET.DWG