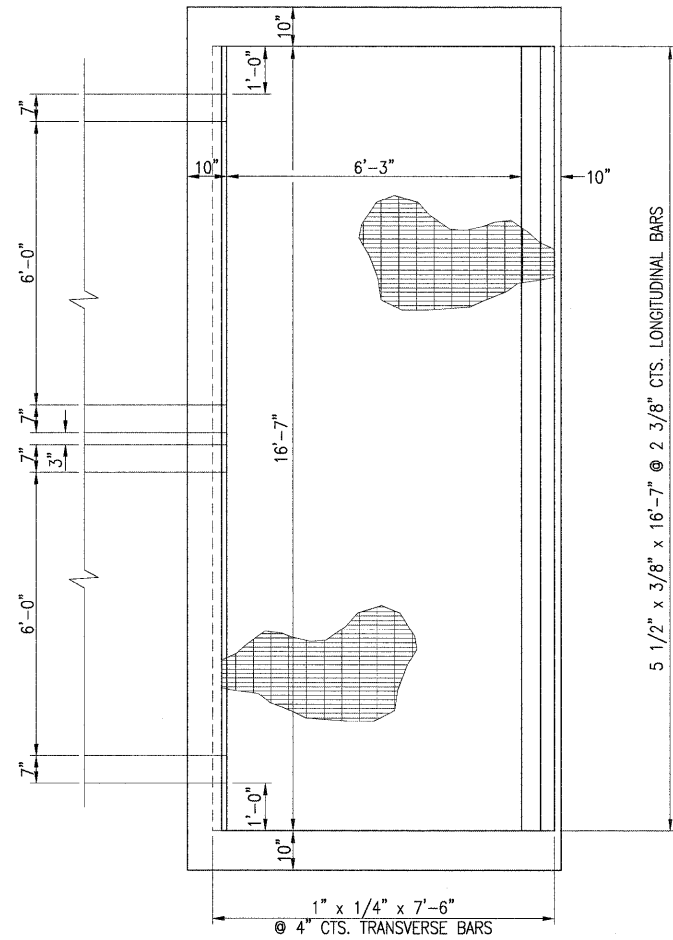
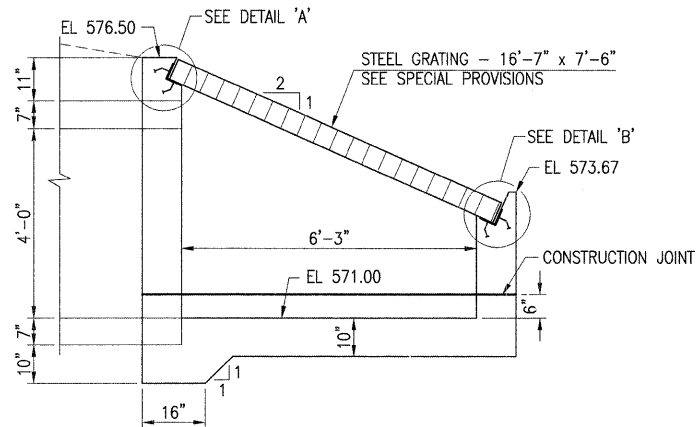


F.A.S. RTE.	SECTION	COUNTY	TOTAL SHEETS	SHEET NO.
569	07-00110-01-SP	LOGAN	26	14
PROJECT NO. HRR-0569(106)		CONTRACT NO. 93479		
FED. ROAD DIST. NO.	ILLINOIS	FED. AID PROJECT		

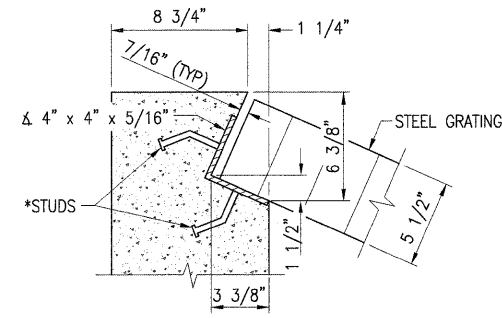


**PLAN VIEW**



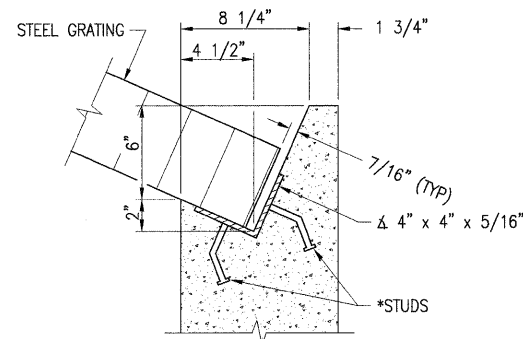
**SECTION VIEW**

NOTES:  
 ALL STRUCTURAL STEEL AND STEEL GRATING SHALL BE GALVANIZED AFTER SHOP FABRICATION IN ACCORDANCE WITH ASTM DESIGNATION A-385 & AASHTO M-111 AND SHALL NOT BE PAINTED.  
 ALL STRUCTURAL STEEL SHALL BE AASHTO M183.



**DETAIL 'A'**

\* 3/4"  $\phi$  x 4" GRANULAR OR SOLID FLUX FILLED HEADED STUDS CONFORMING TO ARTICLE 1006.32 OF THE STANDARD SPECS. AUTOMATICALLY END WELDED @ 12" ALT. CTS. (17 REQ'D PER ANGLE).



**DETAIL 'B'**

**GENERAL NOTES**

- STRUCTURAL STEEL SHAPES AND PLATES SHALL BE IN ACCORDANCE WITH ARTICLE 1006.04 OF THE STANDARD SPECIFICATIONS. GALVANIZED STEEL PIPE SHALL BE IN ACCORDANCE WITH ARTICLE 1006.27 (b) OF THE STANDARD SPECIFICATIONS.
- BOLTS, NUTS AND WASHERS SHALL BE IN ACCORDANCE WITH ARTICLE 1006.27 (f) OF THE STANDARD SPECIFICATIONS. ALL FABRICATION SHALL BE COMPLETED AND READY FOR ASSEMBLY BEFORE GALVANIZED.
- THE STEEL GRATING AND ALL ASSOCIATED HARDWARE, AS SPECIFIED ON THIS SHEET, WILL NOT BE PAID FOR SEPARATELY, BUT WILL BE INCLUDED IN THE COST OF "CONCRETE STRUCTURES" AND "REINFORCEMENT BARS."

LAYOUT: BJB 6/20/08  
 DRAWN: BJB 7/30/08  
 REVIEWED: LDK 7/29/08  
 AUG 06, 2008 11:07 AM  
 \A\07\JBB\07L0016\CADD\ROAD\SHEET\C-5030DET.DWG



DESIGNED	-	REVISED	-
DRAWN	-	REVISED	-
CHECKED	-	REVISED	-
DATE	08-08-08	REVISED	-

STATE OF ILLINOIS  
 DEPARTMENT OF TRANSPORTATION

GRATING DETAILS FOR DROP BOX  
 5th STREET ROAD  
 LOGAN COUNTY, ILLINOIS

SCALE: PAGE 4 OF 5 STA. TO STA.