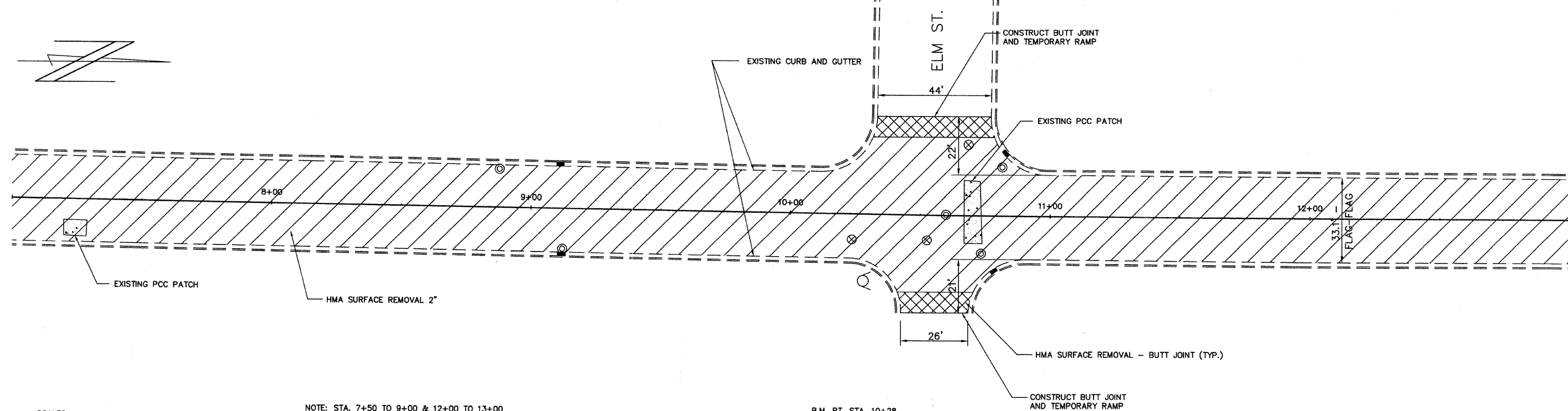


ROUTE	SECTION	CITY	TOTAL SHEETS	SHEET NO.
FAU 8494	07-00078-00-RS	OLNEY	9	4
CONTRACT NO. 95572		ILLINOIS		



SCALES:  
1" = 20' HOR  
1" = 5' VER

NOTE: STA. 7+50 TO 9+00 & 12+00 TO 13+00  
INCREASE LEVELING BINDER AT CENTERLINE  
TO MAINTAIN 1/4" PER FOOT MIN. CROSS SLOPE

B.M. RT. STA. 10+28  
ARROW ON F.H.  
ELEV. 499.91

515	HMA SURFACE REMOVAL, 2"	SQ YD	HMA SURFACE COURSE, MIX "D", N70	TON	COMBINATION CONCRETE CURB & GUTTER, TYPE B-6.18	FOOT	DETECTABLE WARNINGS	SQ FT	515				
	STA. 7+00 TO 13+00	2355	STA. 7+00 TO 13+00	205	LT. STA. 10+85 RT. STA. 10+87	19 16	LT. STA. 10+85 RT. STA. 10+87	22 17					
510	HMA SURFACE REMOVAL, BUTT JOINT	SQ YD	VALVE BOXES TO BE ADJUSTED	EACH	TOTAL	35	TOTAL	39	510				
	LT. & RT. STA. 10+55	64	STA. 7+00 TO 13+00	3									
505	TEMPORARY RAMP	SQ YD	MANHOLES TO BE ADJUSTED	EACH	SIDEWALK REMOVAL	SQ FT	FRAME AND GRATE, TYPE 23	EACH	505				
	LT. & RT. STA. 10+55	64	STA. 7+00 TO 13+00	5	LT. STA. 10+85 RT. STA. 10+87	93 91	LT. STA. 10+85 RT. STA. 10+87	1 1					
500			EXISTING PROFILE		TOTAL	184	TOTAL	2	500				
495									495				
490	BIT. MATERIALS (PRIME COAT)	GALLON	AGGREGATE BASE COURSE, TYPE B	TON	PCC SIDEWALK 4 INCH	SQ FT			490				
	STA. 7+00 TO 13+00	245	STA. 7+00 TO 13+00	2	LT. STA. 10+85 RT. STA. 10+87	93 91							
485	AGGREGATE (PRIME COAT)	TON	COMB. CURB AND GUTTER REMOVAL	FOOT	TOTAL	184			485				
	STA. 7+00 TO 13+00	5	LT. STA. 10+85 RT. STA. 10+87										
480	LEVELING BINDER (MACH. METHOD), N70	TON		TOTAL					480				
	STA. 7+00 TO 13+00	165											
475									475				
470	497.3	496.7	496.2	495.9	495.5	495.7	496.6	497.0	497.1	497.4	497.5	497.5	470
	7+00		8+00		9+00		10+00		11+00		12+00		13+00