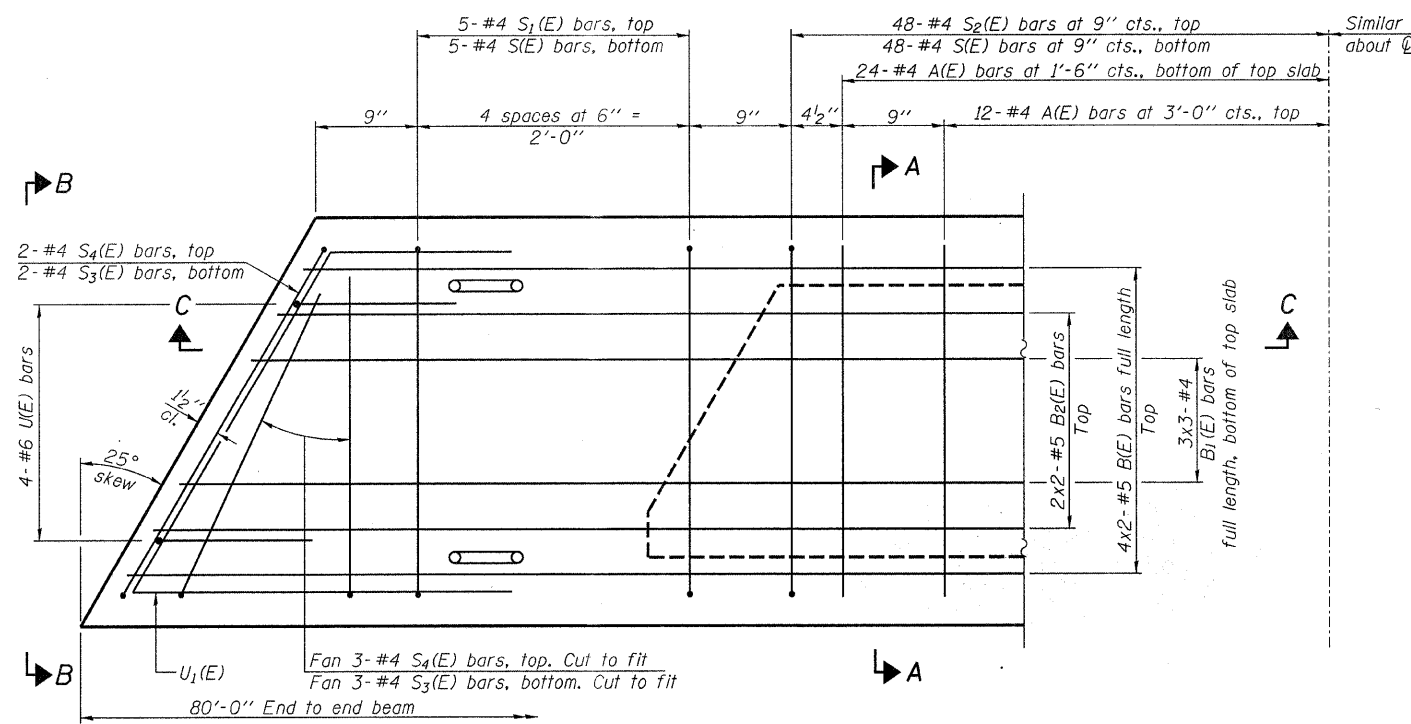
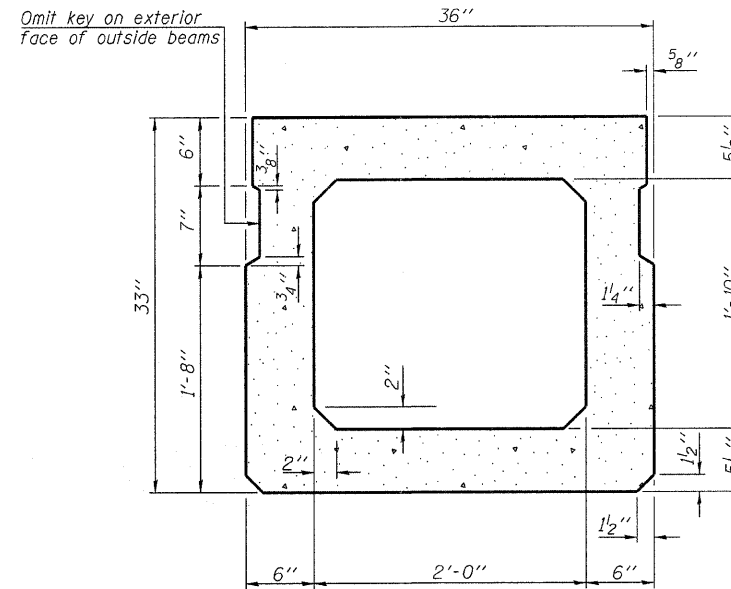


SECTION C-C

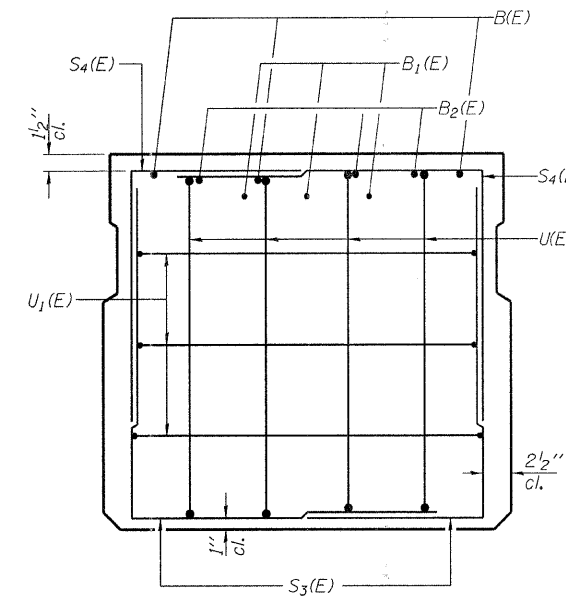


PLAN VIEW

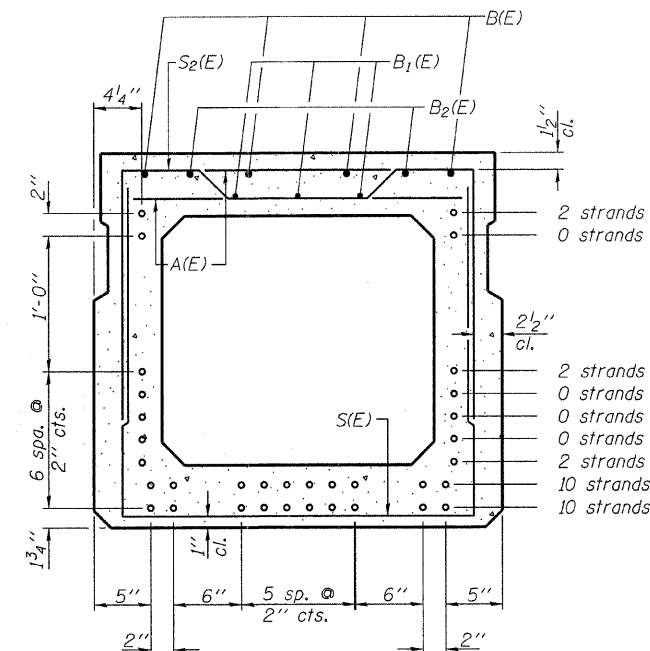
Note: Spacing of S(E) and S₂(E) bars may be adjusted up to 4" in the immediate area of the transverse tie diaphragms to miss the block outs for the transverse ties.



SECTION A-A
(Showing dimensions)



VIEW B-B



SECTION A-A

(Showing reinforcement and permissible strand locations)

Note: Place the number of strands specified in each row symmetrically about the centerline of beam in the permissible strand locations shown.

BAR LIST
ONE BEAM ONLY
(For information only)

Bar	No.	Size	Length	Shape
A(E)	72	#4	2'-7"	—
B(E)	8	#5	40'-11"	—
B ₁ (E)	9	#4	27'-8"	—
B ₂ (E)	4	#5	40'-11"	—
S(E)	106	#4	7'-5"	⌌
S ₁ (E)	10	#4	6'-3"	⌌
S ₂ (E)	96	#4	6'-6"	⌌
S ₃ (E)	10	#4	4'-9"	⌌
S ₄ (E)	10	#4	4'-2"	⌌
U(E)	8	#6	5'-0"	⌌
U ₁ (E)	6	#4	6'-6"	⌌

Note: See sheets 18 & 19 for additional details and Bill of Material.

BAR LAPS

#4 bar = 1'-8"
#5 bar = 2'-2"

SUPERSTRUCTURE
33" x 36" PPC DECK BEAM
STRUCTURE NO. 041-3743

DESIGNED - A.S.L.
CHECKED - S.M.S.
DRAWN - D.T.M.
CHECKED - D.A.B.

PD-3336-L

10-1-08

HAMPTON, LENZINI & RENWICK, INC.
CIVIL & STRUCTURAL ENGINEERS
LAND SURVEYORS

HLR 3085 STEVENSON DRIVE, SUITE 201
SPRINGFIELD, ILLINOIS 62703
(217) 546-3400

PROJECT NUMBER: 08.0129.130 DATE: 02/06/09

FAS	SECTION	COUNTY	TOTAL SHEETS	SHEET NO.
824	05-00183-00-BR	JEFFERSON	23	17
FED. ROAD DIST. NO.		ILLINOIS	FED. AID PROJECT	
CONTRACT NO. 99361				