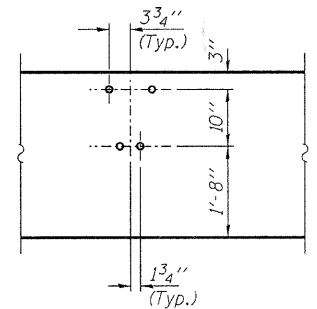
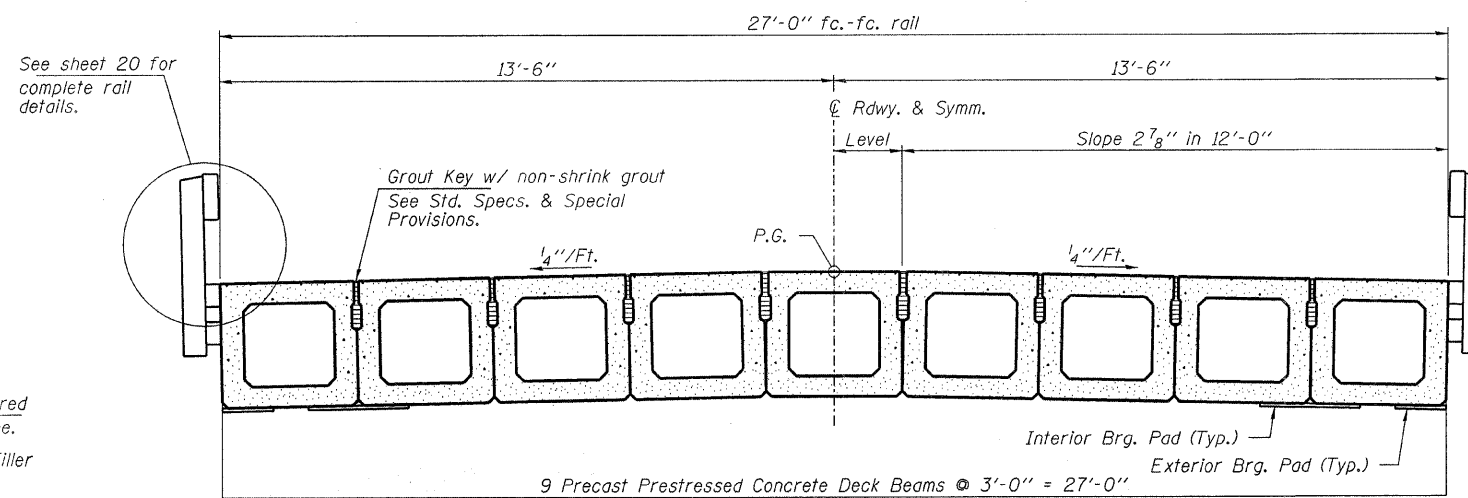


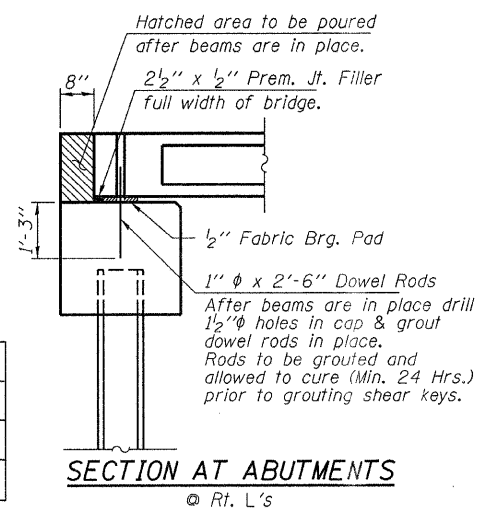
**ELEVATION**  
Showing Rail Post Spacing  
See sheet 20 for Railing Details.



**DETAIL A**




**CROSS SECTION**  
See sheets 17 & 18 for Superstructure.



**SECTION AT ABUTMENTS**  
@ Rt. L's

DESIGNED - A.S.L.
CHECKED - S.M.S.
DRAWN - D.T.M.
CHECKED - D.A.B.

**SUPERSTRUCTURE DETAILS**  
**STRUCTURE NO. 041-3743**

<b>HAMPTON, LENZINI &amp; RENWICK, INC.</b> CIVIL & STRUCTURAL ENGINEERS LAND SURVEYORS  3085 STEVENSON DRIVE, SUITE 201 SPRINGFIELD, ILLINOIS 62703 (217) 546-3400	FAS	SECTION	COUNTY	TOTAL SHEETS	SHEET NO.
	824	05-00183-00-BR	JEFFERSON	23	19
PROJECT NUMBER: 08.0129.130	DATE: 02/06/09	CONTRACT NO. 99361			
		FED. ROAD DIST. NO.	ILLINOIS	FED. AID PROJECT	