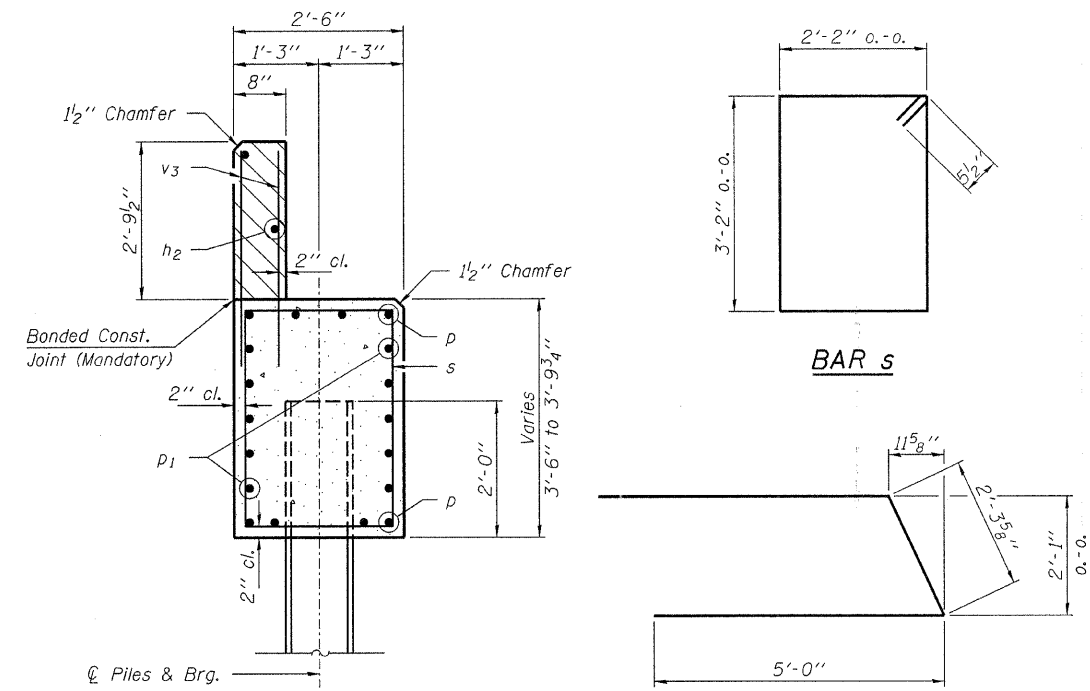
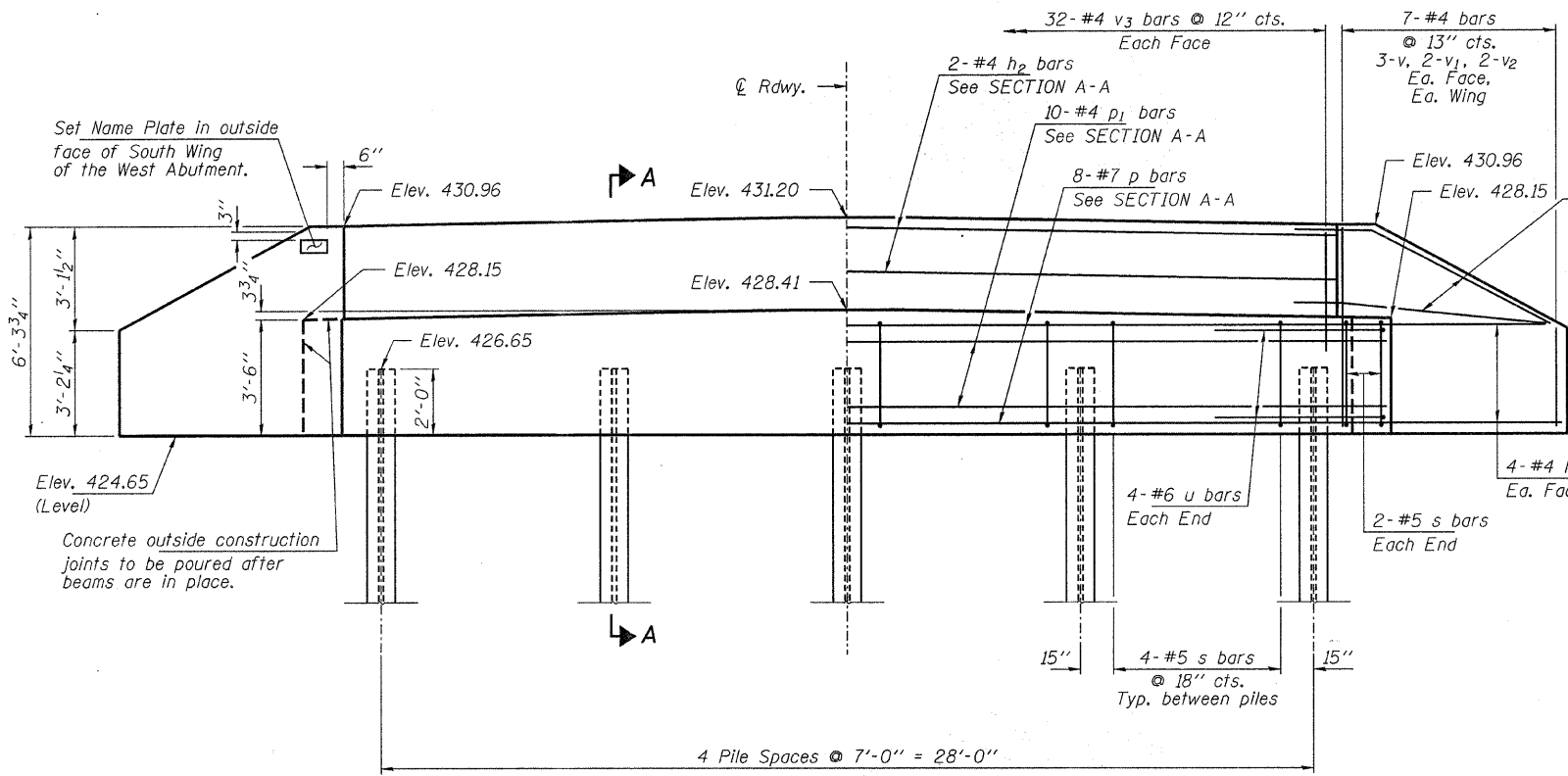


**PLAN**



**SECTION A-A**

Hatched area to be poured after beams are in place.



**ELEVATION**

Note: Extend h bars into abutment cap.

Fan 2-#4 h bars (B.F.)  
Fan 2-#4 h1 bars (F.F.)  
Each Wing  
Bend in field.

**PILE DATA**

Type Steel HP12x53  
No. Req'd. (2 Abuts.) 10  
Factored Resistance Available (Rf) 209 Kips/Pile  
Nominal Required Bearing (Rn) 419 Kips/Pile  
Est. Length 30 Ft/Pile (W. Abut.)  
25 Ft/Pile (E. Abut.)

Notes: The Steel H-Piles shall be according to AASHTO M270 Grade 50.

**BILL OF MATERIAL - 2 ABUTS.**

BAR	NO.	SIZE	LENGTH	SHAPE
h	40	#4	8'-6"	—
h1	8	#4	7'-0"	—
h2	4	#4	31'-2"	—
p	16	#7	31'-2"	—
p1	20	#4	31'-2"	—
s	40	#5	11'-7"	□
u	16	#6	12'-4"	—
v	24	#4	4'-10"	—
v1	16	#4	3'-10"	—
v2	16	#4	2'-10"	—
v3	128	#4	3'-8"	—
Concrete Structures			Cu. Yd.	30.6
Reinforcement Bars			Pound	2,650
Steel Piles HP12x53			Foot	275
Name Plates			Each	1

**ABUTMENTS  
STRUCTURE NO. 041-3743**

DESIGNED - A.S.L.
CHECKED - S.M.S.
DRAWN - D.T.M.
CHECKED - D.A.B.

**HAMPTON, LENZINI & RENWICK, INC.**  
CIVIL & STRUCTURAL ENGINEERS  
LAND SURVEYORS  
3085 STEVENSON DRIVE, SUITE 201  
SPRINGFIELD, ILLINOIS 62703  
(217) 546-3400

FAS	SECTION	COUNTY	TOTAL SHEETS	SHEET NO.
824	05-00183-00-BR	JEFFERSON	23	21
CONTRACT NO. 99361				
FED. ROAD DIST. NO.	ILLINOIS	FED. AID PROJECT		

PROJECT NUMBER: 08.0129.130 DATE: 02/08/09