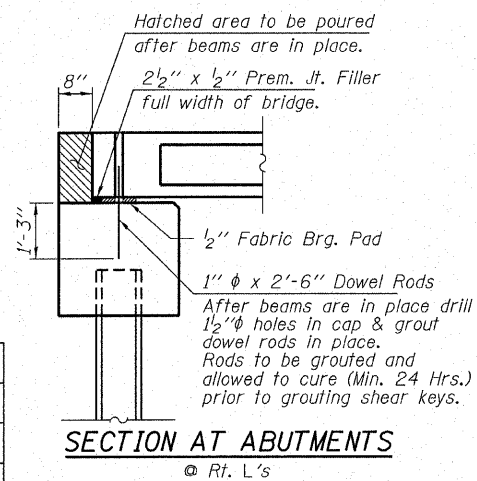
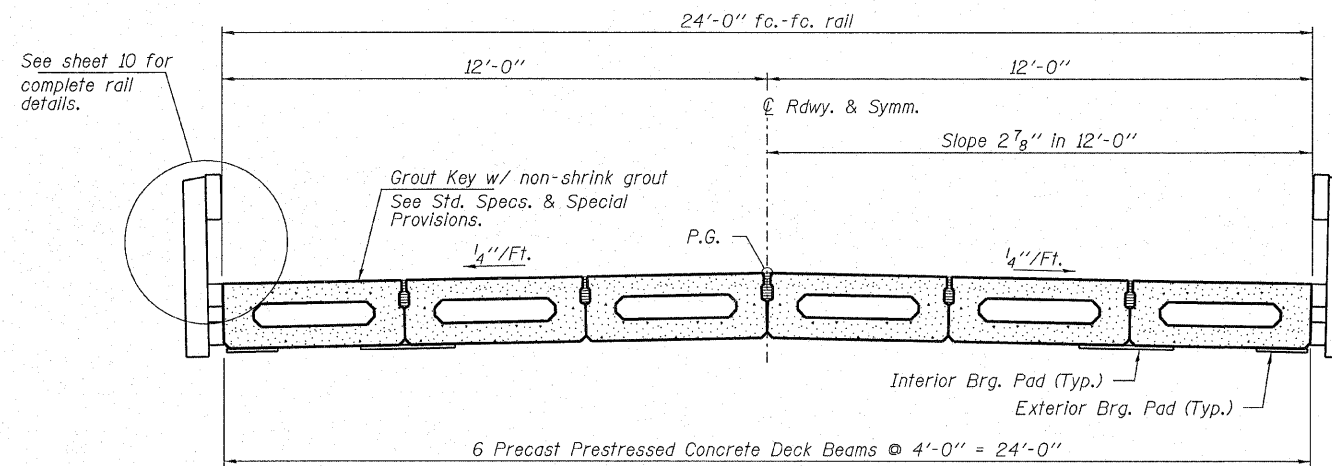


DETAIL A



DESIGNED - A.S.L.
CHECKED - S.W.M.
DRAWN - D.T.M.
CHECKED - D.A.B.

SUPERSTRUCTURE DETAILS
STRUCTURE NO. 041-3742

HAMPTON, LENZINI & RENWICK, INC.
CIVIL & STRUCTURAL ENGINEERS
LAND SURVEYORS

HLR 3085 STEVENSON DRIVE, SUITE 201
SPRINGFIELD, ILLINOIS 62703
(217) 546-3400

PROJECT NUMBER: 08.0127.130 DATE: 01/21/09

T.R.	SECTION	COUNTY	TOTAL SHEETS	SHEET NO.
10	03-03113-00-BR	JEFFERSON	15	9
CASNER ROAD DISTRICT		CONTRACT NO. 99362		
FED. ROAD DIST. NO.	ILLINOIS	FED. AID PROJECT		