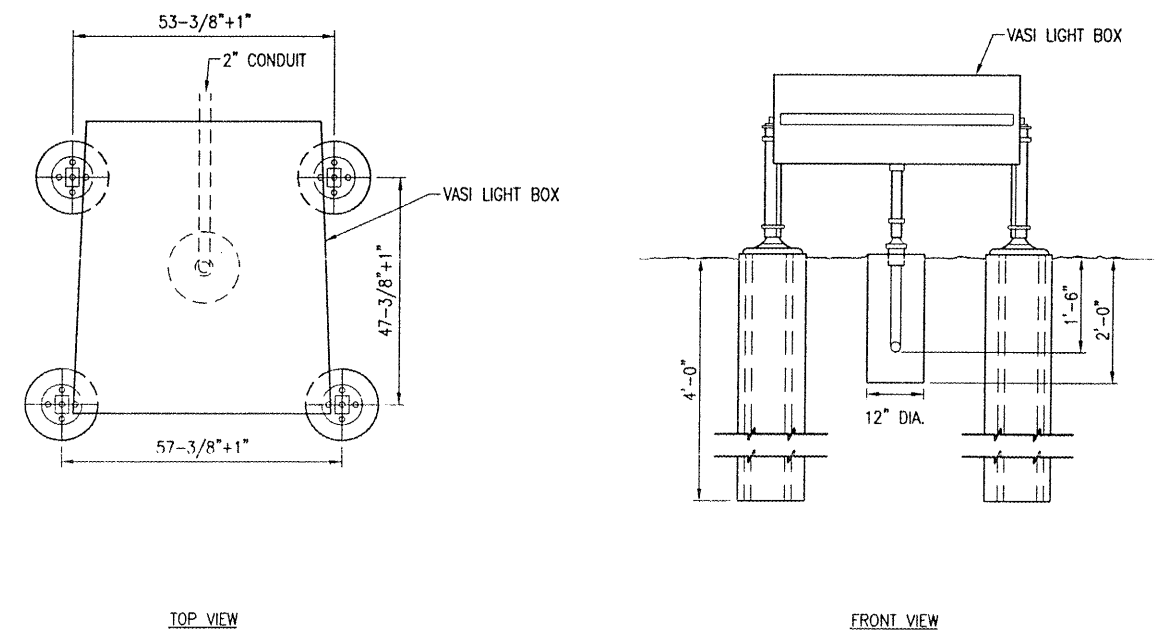


THE LOCATION, SIZE AND TYPE OF MATERIAL OF EXISTING UNDERGROUND UTILITIES INDICATED ON THE PLANS IS NOT REPRESENTED AS BEING ACCURATE, SUFFICIENT OR COMPLETE. IT SHALL BE THE CONTRACTOR'S RESPONSIBILITY TO DETERMINE THE ACTUAL LOCATION OF ALL SUCH FACILITIES, INCLUDING SERVICE CONNECTIONS TO UNDERGROUND UTILITIES. PRIOR TO CONSTRUCTION, THE CONTRACTOR SHALL NOTIFY THE UTILITY COMPANIES OF HIS OPERATIONAL PLANS AND SHALL OBTAIN FROM THE RESPECTIVE UTILITY COMPANIES DETAILED INFORMATION AND ASSISTANCE RELATIVE TO THE LOCATION OF THEIR FACILITIES AND THE WORKING SCHEDULE OF THE COMPANIES FOR REMOVAL OR ADJUSTMENT WHERE REQUIRED. IN THE EVENT AN UNEXPECTED UTILITY INTERFERENCE IS ENCOUNTERED DURING CONSTRUCTION, THE CONTRACTOR SHALL IMMEDIATELY NOTIFY THE UTILITY COMPANY OF JURISDICTION. THE ENGINEER SHALL ALSO BE IMMEDIATELY NOTIFIED. ANY SUCH MAINS AND SERVICES SHALL BE RESTORED TO SERVICE AT ONCE AND PAID FOR BY THE CONTRACTOR AT NO ADDITIONAL COST TO THE CONTRACT.

CALL J.U.L.I.E. FOR UTILITY INFORMATION AT 1-800-892-0123.

- LEGEND**
- — — — — EXISTING PAVEMENT
 - - - - - EXISTING VASI POWER CABLE TO BE ABANDONED
 - EXISTING VASI UNIT TO BE REMOVED
 - - - - - EXISTING AIRFIELD LIGHTING POWER CABLE
 - - - - - EXISTING REIL POWER AND CONTROL CABLES
 - EXISTING STAKE MOUNTED RUNWAY LIGHT
 - ⊙ EXISTING STAKE MOUNTED RUNWAY THRESHOLD LIGHT
 - ▷ EXISTING REIL
 - EXISTING BASE MOUNTED RUNWAY LIGHT
 - ⊗ EXISTING BASE MOUNTED TAXIWAY LIGHT



V.A.S.I. DETAIL

VASI REMOVAL NOTES

THE EXISTING VASI AND POWER & CONTROL UNITS SHOWN AT THE LOCATIONS ON SHEETS 9 AND 10 ARE TO BE UNBOLTED, REMOVED AND TURNED OVER TO THE AIRPORT MANAGER.

THE EXISTING VASI CONCRETE BASES ARE TO BE REMOVED TO THEIR FULL DEPTH AND DISPOSED OF OFF THE AIRPORT SITE. FOR DIMENSIONS OF THE EXISTING VASI BASES, SEE THE DETAIL ON THIS SHEET.

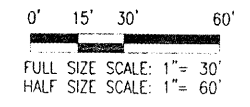
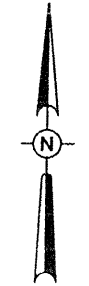
THE HOLES LEFT FROM THE VASI BASES AND POWER & CONTROL UNITS WILL BE FILLED IN WITH EARTH AND COMPACTED TO PREVENT FUTURE SETTLEMENT. THE DISTURBED AREAS WILL BE FERTILIZED AND SEEDING IN ACCORDANCE WITH THE SPECIAL PROVISIONS.

THE EXISTING VASI CABLES WILL BE ABANDONED IN PLACE UNLESS IT CONFLICTS WITH THE INSTALLATION OF A PROPOSED LIGHT OR CABLE, THEN IT WILL BE REMOVED AT NO ADDITIONAL COST TO THE CONTRACT.

AN EXISTING VASI UNIT CONSISTS OF THE DOWNWIND VASI, UPWIND VASI AND VASI POWER & CONTROL UNIT.

REMOVAL OF THE EXISTING VASI UNITS WILL BE PAID FOR UNDER ITEM: AR125909 "REMOVE VASI" PER EACH.

QUANTITY OF VASI UNITS TO BE REMOVED ----- 2 EACH.



DATE	REVISION	BY

LITCHFIELD MUNICIPAL AIRPORT
LITCHFIELD, ILLINOIS

IL PROJ.: 31F-3559 A.I.P. PROJ.: J-17-0063-B13

I&L Project No. 814-06RWYD-0800 Drawing No. R-141ELE.DWG Scale: 1"=30' Date: 01/29/08	LAYOUT MDR 01/08/08 DRAWN MDR 01/08/07 REVIEWED CAH/KNL 01/29/08
--	--



PROPOSED P.F.C.
ON RUNWAY 9-27
EXISTING ELECTRICAL PLAN
RUNWAY END 9