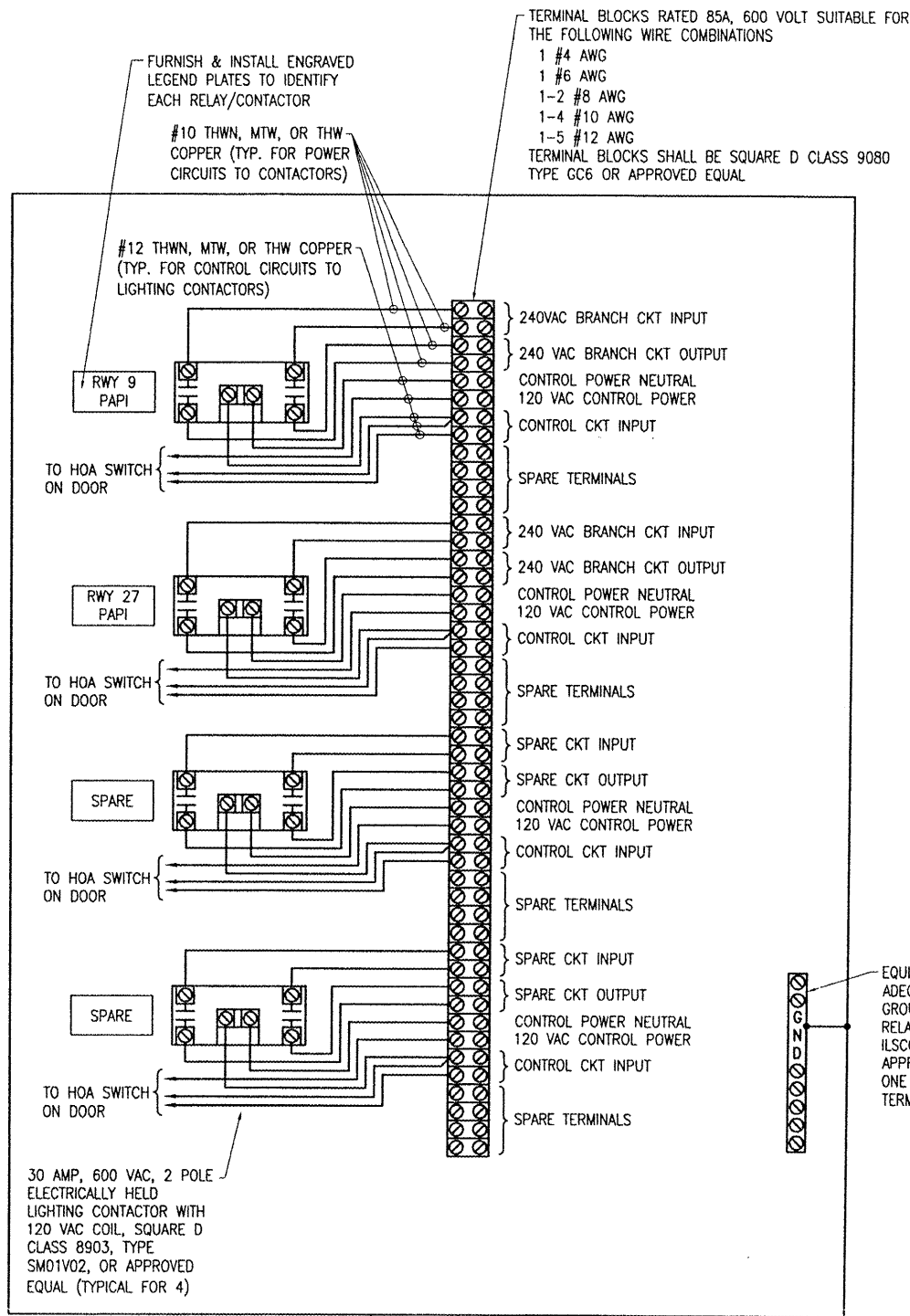
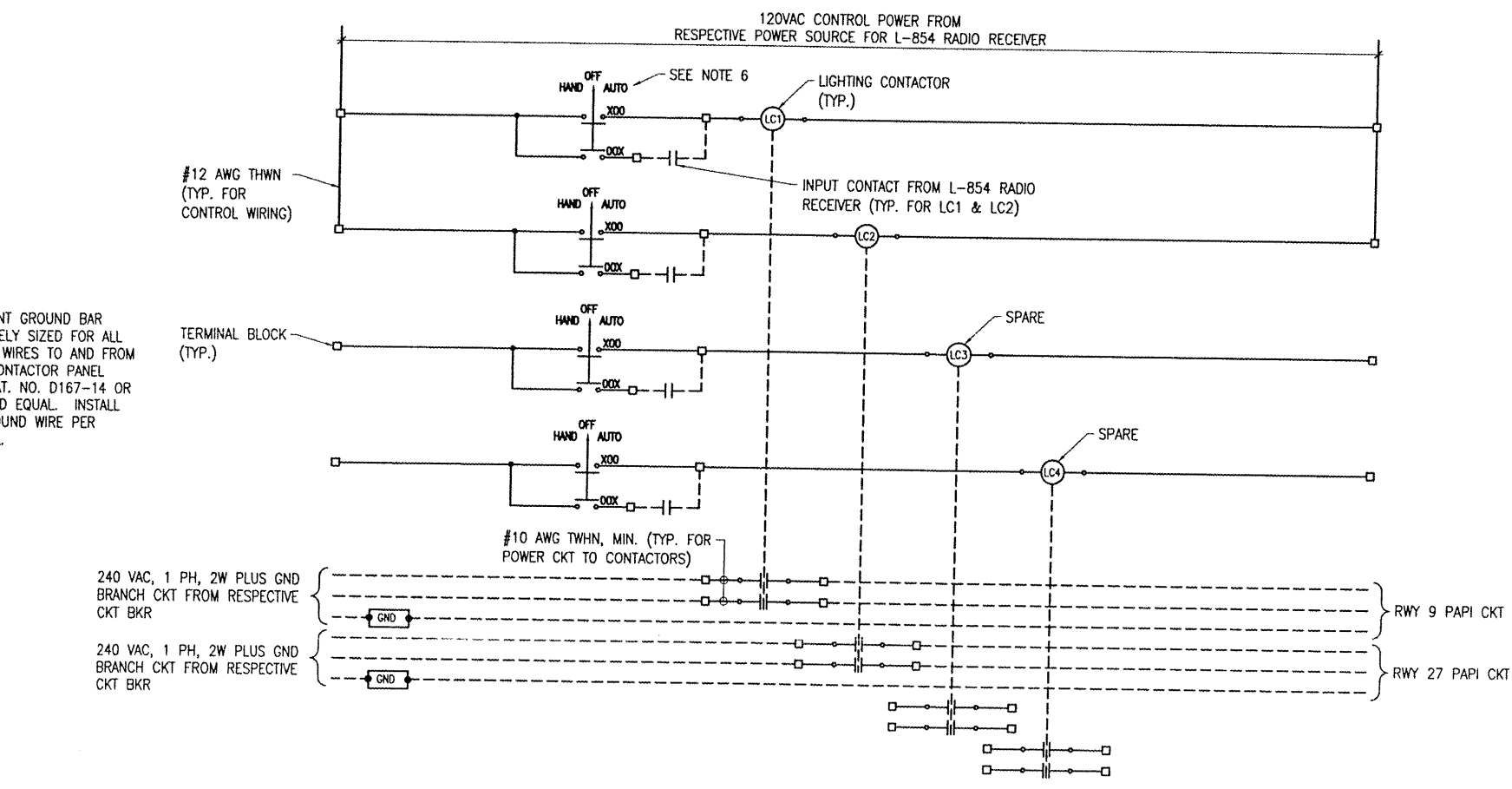


APR 11, 2008 10:34 AM HAGL00362
 C:\PROGRAMS\LITCHFIELD\B14-06RWY\AIRPORT\SHEETS\E-602.DWG - Layout1



CONTROL PANEL FOR PAPI UNITS

- NOTES**
- 15 AMP & 20 AMP INPUT POWER/BRANCH CIRCUITS SHALL BE #10 AWG COPPER THWN FROM THE RESPECTIVE POWER SOURCE TO THE LIGHTING CONTACTOR/RELAY PANEL. 30 AMP INPUT POWER/BRANCH CIRCUITS SHALL BE #8 AWG COPPER THWN (MIN.) FROM THE RESPECTIVE POWER SOURCE TO THE LIGHTING CONTACTOR/RELAY PANEL.
 - INPUT CONTROL CIRCUITS SHALL BE #12 AWG COPPER THWN.
 - PROVIDE #10 AWG COPPER BONDING JUMPER FROM PANEL ENCLOSURE FRAME TO ENCLOSURE DOOR.
 - PROVIDE 3-POSITION MAINTAINED CONTACT "HAND-OFF-AUTO" SELECTOR SWITCH FOR EACH LIGHTING CONTACTOR & MOUNT ON LIGHTING CONTACTOR PANEL ENCLOSURE DOOR. SELECTOR SWITCH SHALL BE SQUARE D CLASS 9001, TYPE KS43FBH13, OR APPROVED EQUAL. INCLUDE LEGEND PLATE TO IDENTIFY THE DEVICE CONTROLLED (EX: "RWY 9 PAPI" OR "RWY 27 PAPI").
 - INSTALL CONTROL PANEL FOR PAPI UNITS ON WALL 12" ABOVE VAULT HEATER. FIELD VERIFY LOCATION WITH ADEQUATE CLEAR WORKING SPACE PER NEC 110.26. INTERFACE CONTROL PANEL TO LOW VOLTAGE WIREWAY WITH 3" GRSC AND JUNCTION BOXES.



SCHMATIC

L1031

DATE	REVISION	BY

LITCHFIELD MUNICIPAL AIRPORT
 LITCHFIELD, ILLINOIS
 A.I.P. PROJ.: 3-17-0063-B13
 I.L. PROJ.: 3LF-3559

H.S. Project No.: 814-06RWYD_0800 E-602.DWG Scale: NONE Date: 01/29/08	KNL 01/22/08 MW 01/22/08 CAH 01/29/08
LAYOUT DRAWN REVIEWED	KNL MW CAH



PROPOSED P.F.C.
 ON RUNWAY 9-27
 LIGHTING CONTACTOR
 PANEL DETAIL