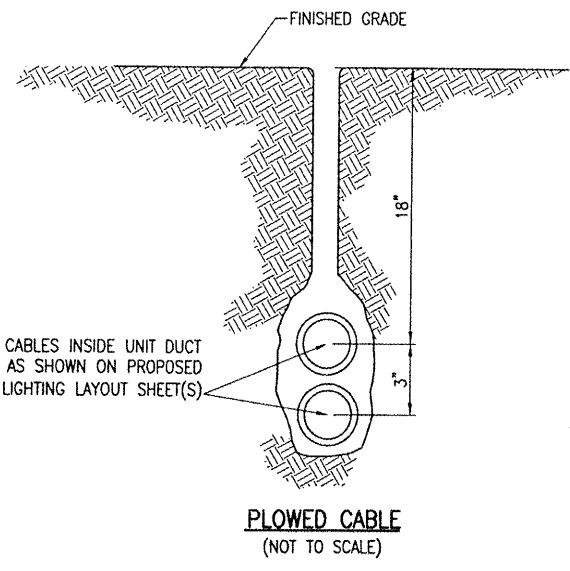
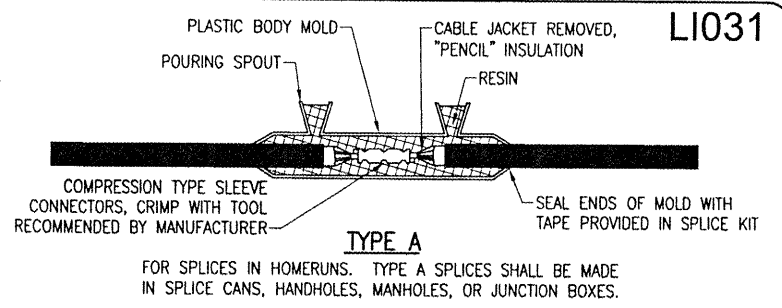


NOTES:
 DETAIL NUMBERS INDICATE NO. OF CABLES.
 TRENCHES WITH MORE THAN SEVEN CABLES SHALL BE INCREASED 3" IN WIDTH FOR EACH ADDITIONAL CABLE; IF SPECIFIED ON PLANS TWO PARALLEL TRENCHES MAY BE CONSTRUCTED.
 DEPTH OF TRENCHES SHALL BE AS SHOWN ABOVE UNLESS OTHERWISE SPECIFIED ON THE PLANS.
 ALL DISTURBED SURFACES SHALL BE RESTORED TO THEIR ORIGINAL CONDITION. COST IS INCIDENTAL TO TRENCH.

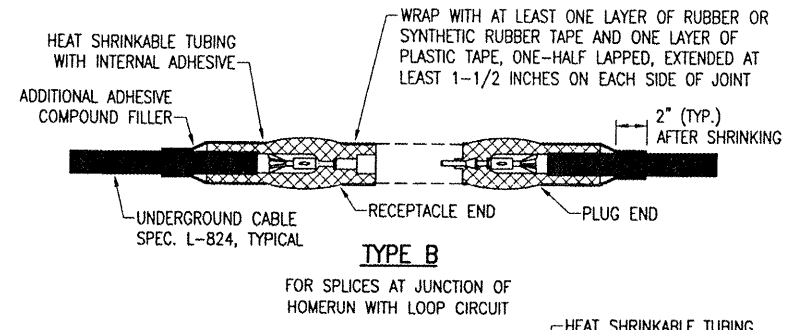
CABLE TRENCHES
(NOT TO SCALE)



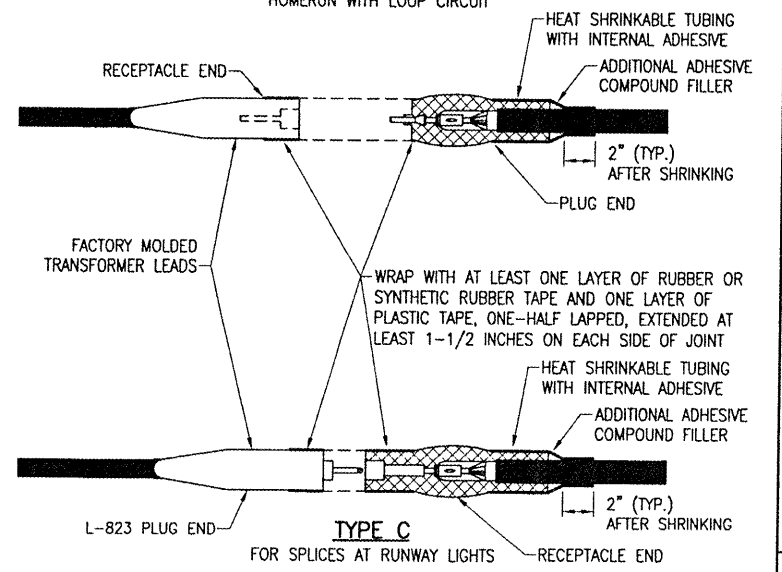
PLOWED CABLE
(NOT TO SCALE)



FOR SPLICES IN HOMERUNS. TYPE A SPLICES SHALL BE MADE IN SPLICE CANS, HANDHOLES, MANHOLES, OR JUNCTION BOXES.



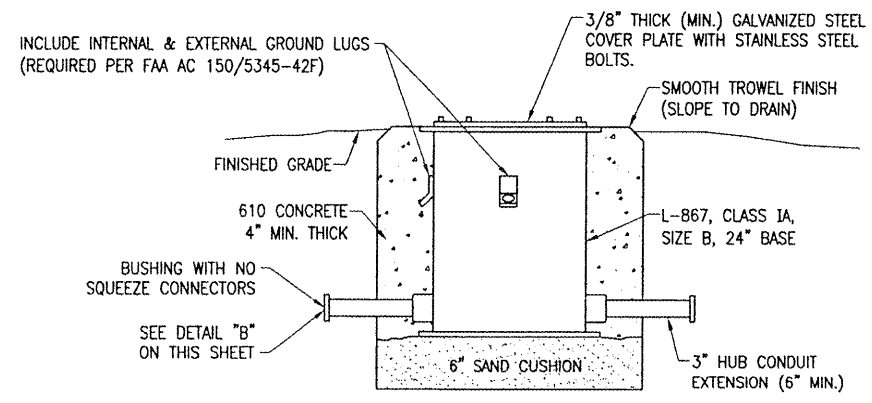
FOR SPLICES AT JUNCTION OF HOMERUN WITH LOOP CIRCUIT



NOTES:
 SEE PROPOSED LIGHTING LAYOUT SHEET(S) FOR SPLICE TYPE.

INSIDE DIAMETER OF CONNECTOR SHALL PROPERLY MATCH THE OUTSIDE DIAMETER OF CABLE.

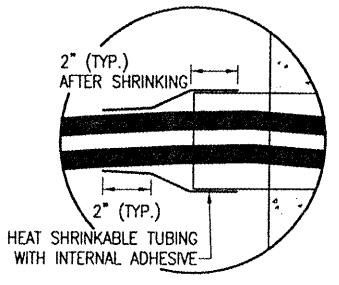
CABLE SPLICES
(NOT TO SCALE)



SPLICE CAN DETAIL
(NOT TO SCALE)

NOTES

- SPLICE CANS SHALL BE LOCATED AS DETAILED ON THE PLANS.
- ADDITIONAL SPLICE CANS REQUIRED FOR EXISTING CABLES CUT AND REPAIRED OR TO ACCOMMODATE CABLE RESPECTIVE INSTALLATION SHALL BE INCIDENTAL TO THAT RESPECTIVE PAY ITEM OR REPAIR WORK.



DETAIL "B"
(NOT TO SCALE)

THE LOCATION, SIZE AND TYPE OF MATERIAL OF EXISTING UNDERGROUND UTILITIES INDICATED ON THE PLANS IS NOT REPRESENTED AS BEING ACCURATE, SUFFICIENT OR COMPLETE. IT SHALL BE THE CONTRACTOR'S RESPONSIBILITY TO DETERMINE THE ACTUAL LOCATION OF ALL SUCH FACILITIES, INCLUDING SERVICE CONNECTIONS TO UNDERGROUND UTILITIES. PRIOR TO CONSTRUCTION, THE CONTRACTOR SHALL NOTIFY THE UTILITY COMPANIES OF HIS OPERATIONAL PLANS AND SHALL OBTAIN FROM THE RESPECTIVE UTILITY COMPANIES DETAILED INFORMATION AND ASSISTANCE RELATIVE TO THE LOCATION OF THEIR FACILITIES AND THE WORKING SCHEDULE OF THE COMPANIES FOR REMOVAL OR ADJUSTMENT WHERE REQUIRED. IN THE EVENT AN UNEXPECTED UTILITY INTERFERENCE IS ENCOUNTERED DURING CONSTRUCTION, THE CONTRACTOR SHALL IMMEDIATELY NOTIFY THE UTILITY COMPANY OF JURISDICTION. THE ENGINEER SHALL ALSO BE IMMEDIATELY NOTIFIED. ANY SUCH MAINS AND SERVICES SHALL BE RESTORED TO SERVICE AT ONCE AND PAID FOR BY THE CONTRACTOR AT NO ADDITIONAL COST TO THE CONTRACT.

CALL J.U.L.E. FOR UTILITY INFORMATION AT 1-800-892-0123. CONTACT AIRPORT PERSONNEL FOR ASSISTANCE IN LOCATING AIRPORT CABLES. CONTACT FAA FOR ASSISTANCE IN LOCATING FAA CABLES

BY	
REVISION	
DATE	

LITCHFIELD MUNICIPAL AIRPORT
 LITCHFIELD, ILLINOIS
 A.I.P. PROJ.: 3-17-0063-B13
 IL PROJ.: 3LF-3559

HEI Project No.	814-06RWYD_0800
Element	R-544ELE.DWG
State	N/A
Date	01/29/08
LAYOUT	MOR 01/17/08
DRAWN	MOR 01/17/08
REVIEWED	CAH/RNL 01/29/08

HANSON
 Hanson Professional Services Inc.
 1524 South Sixth Street
 Springfield, Illinois 62703-2886
 Offices Nationwide

PROPOSED P.F.C.
 ON RUNWAY 9-27
 ELECTRICAL DETAILS
 SHEET 2

APR 11, 2008 10:35 AM HAGLO\0382
 L:\AIRPORTS\LITCHFIELD\814-06RWYD\AIRPORT\SHEETS\R-544ELE.DWG - Layout1