

04-24-2020 LETTING ITEM 162

VARIOUS ROUTES	SECTION	COUNTY	TOTAL SHEETS	SHEET NO.
	17-00097-00-GR	GREENE	30	1
FEDERAL AID PROJECT		ILLINOIS	CONTRACT NO. 97728	

STATE OF ILLINOIS
DEPARTMENT OF TRANSPORTATION
**PLANS FOR PROPOSED
FEDERAL-AID PROJECT
HSIP FUNDS**
VARIOUS ROUTES
SECTION 17-00097-00-GR
PROJECT NO. IFWK(944)
GREENE COUNTY
JOB NUMBER C-98-001-19

SEE SHEET 2 FOR INDEX OF SHEETS AND LIST OF ILLINOIS DOT HIGHWAY STANDARDS

UTILITY CONTACTS:

UTILITY TYPE:

ELECTRIC
ILLINOIS ELECTRIC COOP
ATT: SEAN MIDDLETON
PHONE: (217) 742-3128 X135

UTILITY TYPE:

ELECTRIC /GAS
AMEREN-CIPS NORTH
ATT: NATHAN HILL
PHONE: (618) 301-5327

UTILITY TYPE:

WATER
GREENE COUNTY RURAL WATER
ATT: CHARLES RIVES
PHONE: (217) 248-6292

UTILITY TYPE:

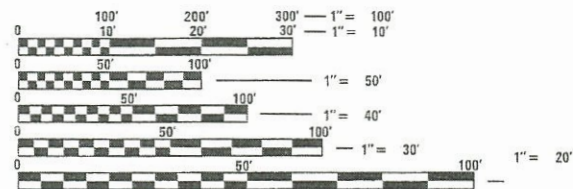
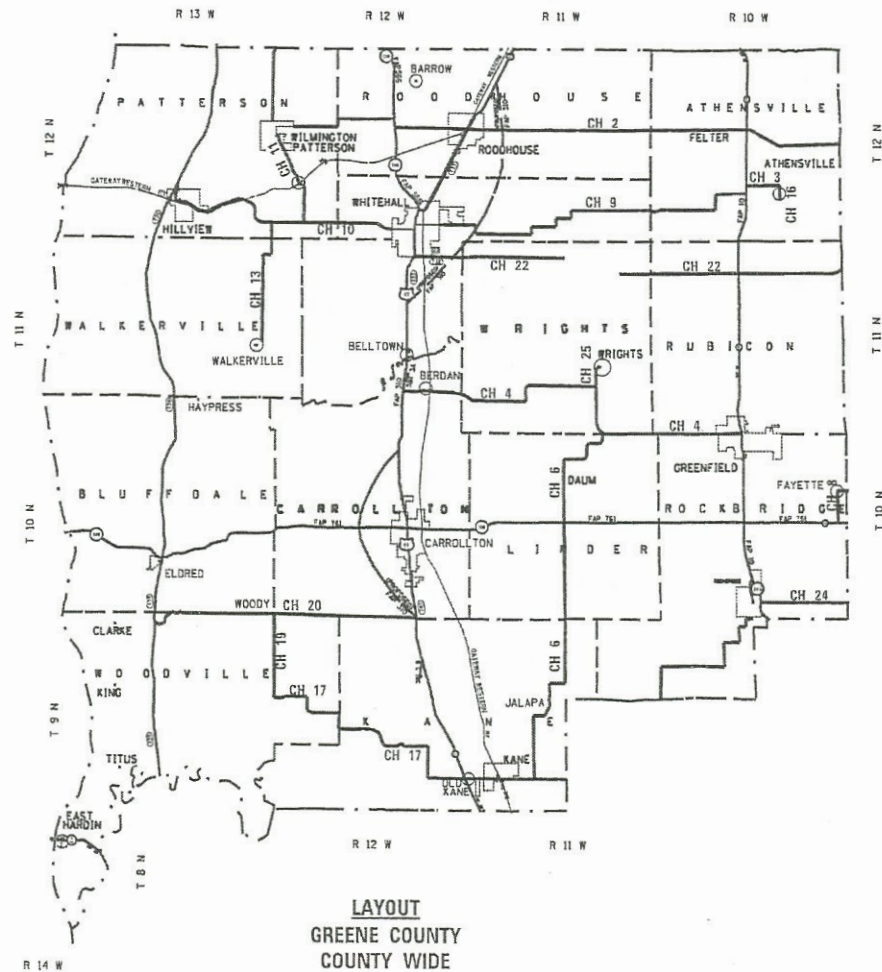
WATER
SCOTTVILLE RURAL WATER CO.
ATT: BECKY CONRADY
PHONE: (217) 436-2510

UTILITY TYPE:

TELEPHONE
FRONTIER COMMUNICATIONS
ATT: KALIN HINSHAW
PHONE: (815) 895-1515

UTILITY TYPE:

TELEPHONE /TV /INTERNET
NEW WAVE COMMUNICATIONS
ATT: ROBERT EVRLEY
PHONE: (217) 287-7992 X6



FULL SIZE PLANS HAVE BEEN PREPARED USING STANDARD ENGINEERING SCALES. REDUCED SIZED PLANS WILL NOT CONFORM TO STANDARD SCALES. IN MAKING MEASUREMENTS ON REDUCED PLANS, THE ABOVE SCALES MAY BE USED.

J.U.L.I.E.
JOINT UTILITY LOCATION INFORMATION FOR EXCAVATION
1-800-892-0123
OR 811



Kimberly S. Cummins 2/13/20
ILLINOIS PROFESSIONAL NO. 56816
(Expires 11/30/21)

STATE OF ILLINOIS
DEPARTMENT OF TRANSPORTATION

APPROVED February 14, 2020

GREENE COUNTY ENGINEER

PASSED February 21, 2020
Carl Schauer
DISTRICT EIGHT ENGINEER OF
LOCAL ROADS AND STREETS

RELEASED FOR
BID BASED ON
LIMITED REVIEW February 21, 2020
Keith Roberts
REGION FIVE ENGINEER

**PRINTED BY THE AUTHORITY
OF THE STATE OF ILLINOIS**

GENERAL NOTES

INDEX OF SHEETS

<u>SHEET NO.</u>	<u>TITLE</u>
1	COVER SHEET
2	INDEX OF SHEETS, HIGHWAY STANDARDS AND GENERAL NOTES
3	SUMMARY OF QUANTITIES
4	TYPICAL CROSS SECTIONS
5-7	SCHEDULES OF QUANTITIES
8-9	LOCATION MAPS
10-29	PLAN SHEETS
30	STEEL PLATE BEAM GUARDRAIL (SHORT RADIUS)

1. THIS PROJECT IS LOCATED ON VARIOUS ROUTES IN GREENE COUNTY. THE WORK INCLUDED IN THE SECTION CONSISTS OF VARIOUS TYPES OF GUARDRAIL REMOVAL, REPLACEMENT, AND ALL OTHER WORK NECESSARY TO COMPLETE THE PROJECT.
2. NO MATERIAL SHALL BE LEFT ON OR NEAR THE ROADWAY DURING NON-WORKING HOURS.
3. ANY NECESSARY TRAFFIC CONTROL WILL BE PROVIDED BY THE CONTRACTOR. APPROPRIATE STANDARDS ARE INCLUDED IN THE PLANS AND CONTRACT DOCUMENTS.
4. ILLINOIS STATE LAW REQUIRES 48 HOUR NOTICE TO BE GIVEN TO UTILITIES BEFORE DIGGING. FIELD MARKING OF FACILITIES MAY BE OBTAINED BY CONTACTING J.U.L.I.E. (PHONE 800-892-0123) OR FOR NON-MEMBERS THE UTILITY COMPANY DIRECTLY.
5. WHEN NO WORK IS BEING PERFORMED, THE FLAGGERS WILL NOT BE REQUIRED. IF THE FLAGGERS ARE NOT PRESENT, THE FLAGGER SIGNS SHALL BE REMOVED OR COVERED.
6. ARTICLE 701.20 OF THE STANDARD SPECIFICATIONS DISCUSSES AN ADJUSTED UNIT PRICE. NO ADJUSTMENTS SHALL BE MADE TO THE TRAFFIC CONTROL AND PROTECTION PAY ITEMS FOR THIS CONTRACT.
7. THE CONTRACTOR IS ADVISED THAT THE GUARDRAIL AND TERMINAL PAY ITEMS INCLUDED IN THE PLANS WILL BE USED TO REPLACE STEEL PLATE BEAM GUARDRAIL AND TRAFFIC BARRIER TERMINALS FOR EITHER CURRENT MIDWEST STYLES OR STEEL PLATE BEAM GUARDRAIL AND TRAFFIC BARRIER TERMINALS INSTALLED PRIOR TO JANUARY 1, 2007. NO ADDITIONAL COMPENSATION WILL BE ALLOWED FOR UTILIZING THE CURRENT MIDWEST STANDARDS.
8. ALL EXCAVATED MATERIAL, WHICH INCLUDES DIGGING OR GRADING OF ANY SOIL OR FILL MATERIAL, WITH THE EXCEPTION OF AGGREGATE FILLS, MUST BE INCORPORATED WITHIN THE RIGHT OF WAY OR TRANSPORTED TO THE GREENE COUNTY HIGHWAY DEPARTMENT STOCKPILE LOCATION WITH APPROVAL OF THE ENGINEER DUE TO ENVIRONMENTAL DOCUMENTATION REQUIREMENTS.
9. ANY REFERENCE TO A STANDARD IN THESE PLANS SHALL BE INTERPRETED TO MEAN THE EDITION AS INDICATED BY THE REVISION NUMBER SHOWN IN THE LIST OF ILLINOIS DOT HIGHWAY STANDARDS OR THE COPY INCLUDED IN THESE PLANS.
10. GUARDRAIL POSTS THAT NEED TO BE DRIVEN THROUGH EXISTING HOT-MIX ASPHALT SHOULDERS WILL NOT BE PAID FOR SEPARATELY, BUT SHALL BE INCLUDED IN THE COST OF STEEL PLATE BEAM GUARDRAIL.
11. REMOVED GUARDRAIL THAT IS NOT REPLACED ON THE SAME DAY MUST BE DELINEATED WITH LIGHTED BARRICADES. NO LOCATIONS SHALL BE LEFT WITHOUT EITHER LIGHTED BARRICADES OR RESTORED GUARDRAIL AT ANY TIME.
12. ALL STEEL PLATE BEAM GUARDRAIL RAIL ELEMENTS, POSTS AND HARDWARE THAT ARE NOT REINCORPORATED INTO THE PROJECT SHALL BE DELIVERED TO THE GREENE COUNTY HIGHWAY DEPARTMENT.

LIST OF ILLINOIS DOT HIGHWAY STANDARDS

000001-07	STANDARD SYMBOLS, ABBREVIATIONS AND PATTERNS
280001-07	TEMPORARY EROSION CONTROL SYSTEMS
542401-03	METAL FLARED END SECTION FOR PIPE CULVERTS
630001-12	STEEL PLATE BEAM GUARDRAIL
630101-10	STRONG POST GUARDRAIL ATTACHED TO CULVERT
630106-02	LONG-SPAN GUARDRAIL OVER CULVERT
630301-09	SHOULDER WIDENING FOR TYPE 1 (SPECIAL) GUARDRAIL TERMINALS
631011-10	TRAFFIC BARRIER TERMINAL, TYPE 2
631026-06	TRAFFIC BARRIER TERMINAL, TYPE 5
631031-16	TRAFFIC BARRIER TERMINAL, TYPE 6
631032-09	TRAFFIC BARRIER TERMINAL, TYPE 6A
701001-02	OFF-ROAD OPERATIONS, 2L, 2W, MORE THAN 15' AWAY FROM EDGE OF PAVEMENT
701006-05	OFF-ROAD OPERATIONS, 2L, 2W, 15' TO 24" AWAY
701201-05	LANE CLOSURE, 2L, 2W, DAY ONLY, FOR SPEEDS ≥ 45 MPH
701901-08	TRAFFIC CONTROL DEVICES
725001-01	OBJECT AND TERMINAL MARKERS
782006-01	GUARDRAIL AND BARRIER WALL REFLECTOR MOUNTING DETAILS
BLR 26-3	STEEL PLATE BEAM GUARDRAIL 29" (731mm) HEIGHT
BLR 27-1	TRAFFIC BARRIER TERMINAL TYPE 5A

APPLICATION RATES USED IN QUANTITY CALCULATIONS

GRANULAR MATERIALS _____ 2.05 TONS/CU YD
 TEMPORARY EROSION CONTROL SEEDING _____ .100 LBS/ACRE
 RIPRAP _____ 1.5 TONS/CU YD

COMMITMENTS

NONE AT THIS TIME

**GREENE COUNTY
GUARDRAIL IMPROVEMENTS**

INDEX OF SHEETS, HIGHWAY STANDARDS AND GENERAL NOTES

SCALE: SHEET 1 OF 1 SHEETS STA. TO STA.

VARIOUS ROUTES	SECTION	COUNTY	TOTAL SHEETS	SHEET NO.
	17-00097-00-GR	GREENE	30	2
CONTRACT NO. 97728				
		ILLINOIS	FED. AID PROJECT	

JOB = 2527.1	DESIGNED - NAK	REVISED -
FILE NAME = 2527_1-shh-gen.dgn	DRAWN - SJS	REVISED -
PLOT SCALE = 100,0000' / in.	CHECKED - CGF	REVISED -
PLOT DATE = 2/13/2020	DATE - 10/25/2019	REVISED -

SUMMARY OF QUANTITIES

CONSTRUCTION CODE	
HSIP FUNDS	
90% FEDERAL	
10% LOCAL	
ROADWAY	
0021	
RURAL	

CODE NO.	ITEM	UNIT	TOTAL QUANTITY	CONSTRUCTION CODE
20200100	EARTH EXCAVATION	CU YD	135	135
20400800	FURNISHED EXCAVATION	CU YD	3,695	3,695
21400100	GRADING AND SHAPING DITCHES	FOOT	76	76
28000250	TEMPORARY EROSION CONTROL SEEDING	POUND	301	301
28000305	TEMPORARY DITCH CHECKS	FOOT	16	16
28000400	PERIMETER EROSION BARRIER	FOOT	12,404	12,404
28000500	INLET AND PIPE PROTECTION	EACH	7	7
50105220	PIPE CULVERT REMOVAL	FOOT	120	120
542D0223	PIPE CULVERTS, CLASS D, TYPE 1 18"	FOOT	458	458
54213453	END SECTIONS, 18"	EACH	2	2
63000003	STEEL PLATE BEAM GUARDRAIL, TYPE A, 9 FOOT POSTS	FOOT	9,637.5	9,637.5
63000009	STEEL PLATE BEAM GUARDRAIL, TYPE B, 9 FOOT POSTS	FOOT	125.0	125.0
63000030	STRONG POST GUARDRAIL ATTACHED TO CULVERT	FOOT	87.5	87.5
63000350	LONG-SPAN GUARDRAIL OVER CULVERT, 12 FT 6 IN SPAN	FOOT	112.5	112.5
63100045	TRAFFIC BARRIER TERMINAL, TYPE 2	EACH	1	1
63100070	TRAFFIC BARRIER TERMINAL, TYPE 5	EACH	2	2
63100075	TRAFFIC BARRIER TERMINAL, TYPE 5A	EACH	15	15

• SEE SPECIAL PROVISIONS

SUMMARY OF QUANTITIES

CONSTRUCTION CODE	
HSIP FUNDS	
90% FEDERAL	
10% LOCAL	
ROADWAY	
0021	
RURAL	

CODE NO.	ITEM	UNIT	TOTAL QUANTITY	CONSTRUCTION CODE
63100085	TRAFFIC BARRIER TERMINAL, TYPE 6	EACH	2	2
63100087	TRAFFIC BARRIER TERMINAL, TYPE 6A	EACH	4	4
63100167	TRAFFIC BARRIER TERMINAL, TYPE 1 (SPECIAL) TANGENT	EACH	113	113
63200310	GUARDRAIL REMOVAL	FOOT	14,838	14,838
67100100	MOBILIZATION	L SUM	1	1
70100450	TRAFFIC CONTROL AND PROTECTION, STANDARD 701201	L SUM	1	1
72500300	OBJECT MARKER - TYPE 3	EACH	1	1
72501000	TERMINAL MARKER - DIRECT APPLIED	EACH	113	113
72800100	TELESCOPING STEEL SIGN SUPPORT	FOOT	16	16
78200005	GUARDRAIL REFLECTORS, TYPE A	EACH	293	293
X2501000	SEEDING, CLASS 2 (SPECIAL)	ACRE	3.00	3.00
X2810806	STONE DUMPED RIPRAP, CLASS A3 (SPECIAL)	TON	24	24
X6330725	STEEL PLATE BEAM GUARDRAIL (SHORT RADIUS)	FOOT	25.0	25.0
X6320100	GUARDRAIL REMOVAL SPECIAL	FOOT	50	50
# 20076600	TRAINEES	Hour	500	500
# 20076604	TRAINEES TRAINING PROGRAM GRADUATE	Hour	500	500

• SEE SPECIAL PROVISIONS

0042

MODEL: Default
FILE NAME: 2527.1-sh-S00.dgn



JOB = 2527.1
FILE NAME = 2527.1-sh-S00.dgn
PLOT SCALE = 100.0000' / 1 in.
PLOT DATE = 2/13/2020

DESIGNED - NAK
DRAWN - SJS
CHECKED - CGF
DATE - 10/25/2019

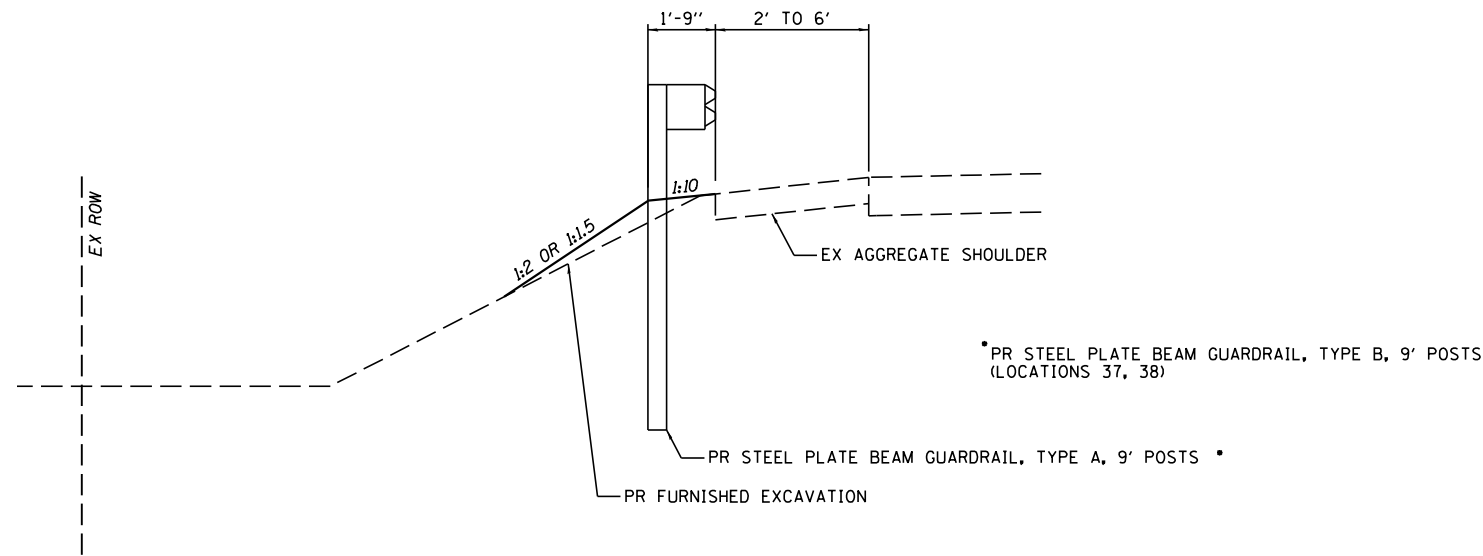
REVISED -
REVISED -
REVISED -
REVISED -

GREENE COUNTY
GUARDRAIL IMPROVEMENTS

SUMMARY OF QUANTITIES

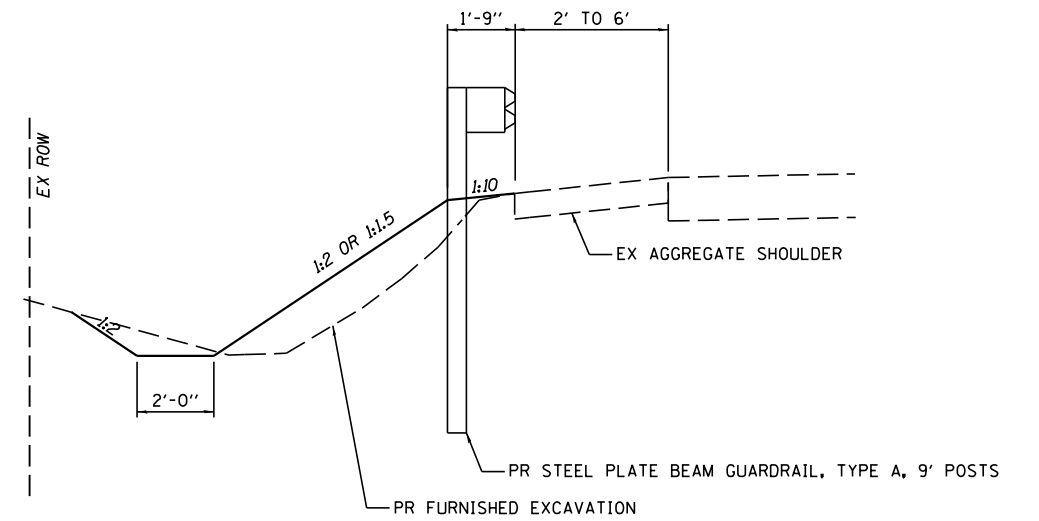
SCALE: SHEET OF SHEETS STA. TO STA.

VARIOUS ROUTES	SECTION	COUNTY	TOTAL SHEETS	SHEET NO.
	17-0097-00-GR	GREENE	30	3
CONTRACT NO. 97728				
ILLINOIS FED. AID PROJECT				



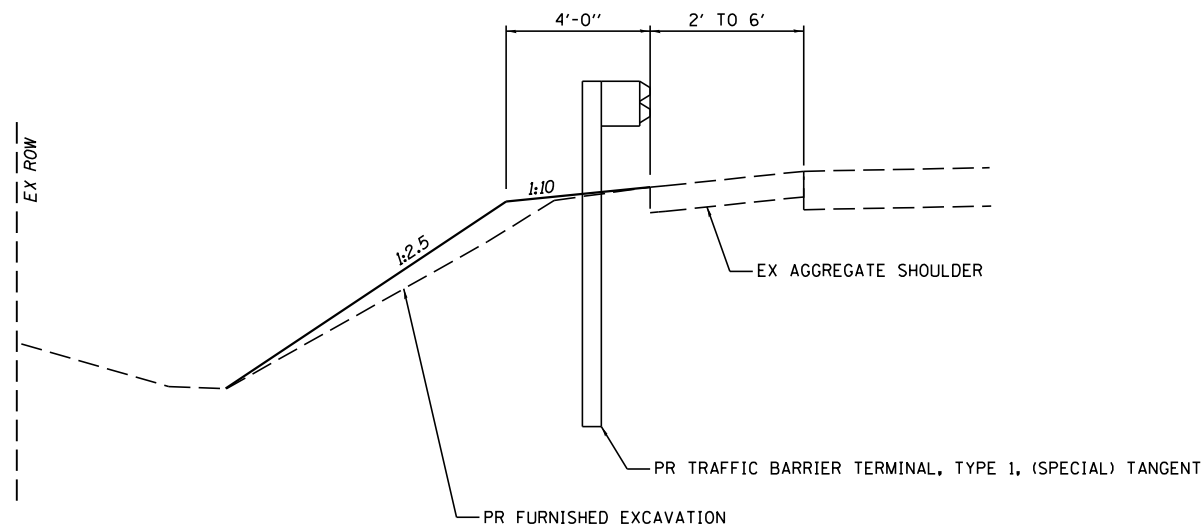
PROPOSED TYPICAL SECTION #1

GUARDRAIL WITH 9' POSTS
(LOCATIONS 1, 2, 9, 10, 11, 12, 13, 14, 15, 17, 18, 19, 20, 21, 22, 24, 25, 30, 31, 32, 33, 34, 35, 37, 38, 39, 40)



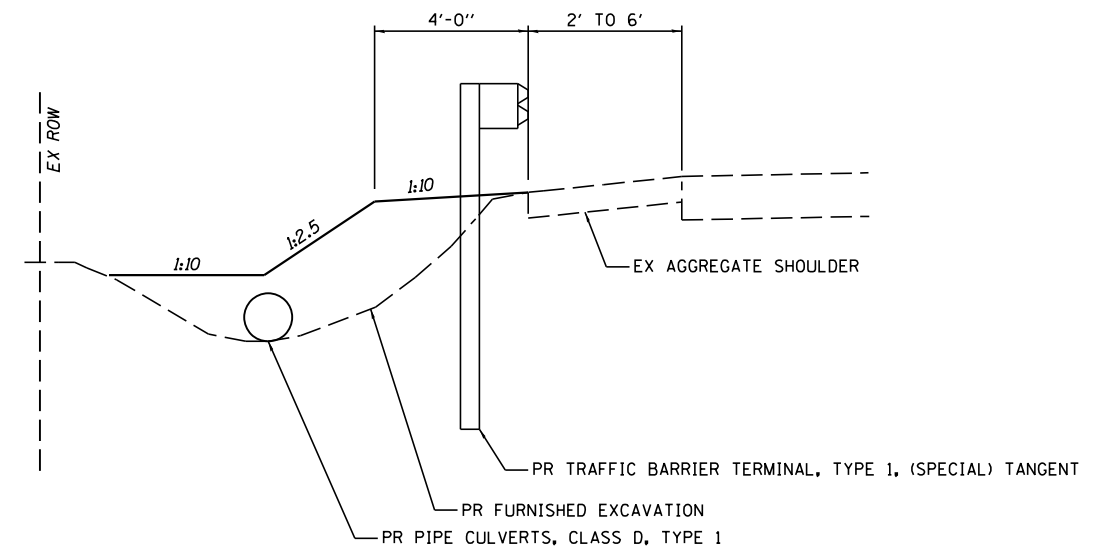
PROPOSED TYPICAL SECTION #3

PR GRADING AND SHAPING DITCHES
(LOCATION 24)



PROPOSED TYPICAL SECTION #2

TRAFFIC BARRIER TERMINAL, TYPE 1, (SPECIAL) TANGENT
(LOCATIONS 1, 2, 4, 9, 10, 11, 12, 13, 14, 15, 17, 18, 19, 20, 21, 22, 24, 25, 30, 31, 32, 33, 34, 35, 37, 38, 39, 40)



PROPOSED TYPICAL SECTION #4

PR PIPE CULVERT AT TYPE 1 TERMINAL
(LOCATIONS 1, 9, 10, 18, 21, 25)

MODEL: Default
FILE NAME: 2527_1-shk-typical.dgn

CEC Cummins
Engineering
Corporation
Civil and Structural Engineering

JOB = 2527.1
FILE NAME = 2527_1-shk-typical.dgn
PLOT SCALE = 5.0000 1/16"
PLOT DATE = 2/13/2020

DESIGNED - NAK
DRAWN - SJS
CHECKED - CGF
DATE - 10/25/2019

REVISED -
REVISED -
REVISED -
REVISED -

**GREENE COUNTY
GUARDRAIL IMPROVEMENTS**

TYPICAL CROSS SECTIONS

SCALE: SHEET OF SHEETS STA. TO STA.

VARIOUS ROUTES	SECTION	COUNTY	TOTAL SHEETS	SHEET NO.
	17-00097-00-GR	GREENE	30	4
CONTRACT NO. 97728				
		ILLINOIS	FED. AID PROJECT	

EARTHWORK SCHEDULE

EARTHWORK

LOCATION	EXCAVATION	EXCAVATION ADJUSTED FOR SHRINKAGE	EMBANKMENT	EARTHWORK BALANCE WASTE (+) OR SHORTAGE (-)
1	0	0	71	-71
2	1	1	42	-41
4	9	7	24	-17
9	1	1	55	-54
10	35	26	70	-44
11	18	14	69	-55
12	0	0	113	-113
13	7	5	370	-365
14-15	0	0	737	-737
17-18	3	2	48	-46
19-20	2	2	251	-249
21	1	1	33	-32
22	2	2	8	-6
24	5	4	5	-1
25	0	0	43	-43
30	1	1	182	-181
31-32-33	9	7	1239	-1232
34	10	8	362	-354
35	1	1	13	-12
37	0	0	0	0
38	1	1	7	-6
39	7	5	23	-18
40	20	15	34	-19
TOTAL	133	103	3,799	-3,696
USE	135	105	3,800	-3,695

EROSION CONTROL SCHEDULE

LOCATION NUMBER	QUADRANT (NE, SE, NW, SW, LEFT, RIGHT)	PERIMETER EROSION BARRIER FOOT	TEMPORARY EROSION CONTROL POUND	INLET AND PIPE PROTECTION EACH	GRADING AND SHAPING DITCHES FOOT	TEMPORARY DITCH CHECKS FOOT
1	LEFT	127	2.1	1		
	RIGHT	120	2.4	1		
2	NW	73	0.7			
	SW	134	1.3			
	NE	96	3.1			
	SE	83	1.2			
4	NW	110	1.3			
	SW	128	3.9			
	SE	134	2.4			
9	NW	111	2.5	1		
	SW	128	1.5			
	NE	9	0.1			
	SE	109	2.2			
10	NW	95	1.1			
	SW	145	3.8			
	NE		4.4	1	62	8
	SE	24	2.0	1		
11	LEFT	202	4.6			
	RIGHT	244	2.6			
12	LEFT	302	6.3			
	RIGHT	325	7.9			
13	LEFT	368	11.5			
	RIGHT	312	12.9			
14	LEFT	875	20.5			
	RIGHT	650	22.4			
15	NE	217	2.3			
	SE	168	5.8			
17	LEFT	196	2.1			
	RIGHT	130	1.2			
18	LEFT	87	3.4			
	RIGHT	422	3.7			
19	LEFT	133	1.9			
	RIGHT	195	3.2			
20	LEFT	142	1.6			
	RIGHT	370	11.9			
21	RIGHT	100	2.6	1		
22	LEFT	153	1.3			
24	LEFT	51	1.3		14	8
25	LEFT	275	7.7	1		
30	NW	468	14.5			
33	LEFT	736	23.4			
	RIGHT	721	20.3			
32	LEFT	350	14.8			
31	LEFT	438	9.6			
	RIGHT	272	6.9			
34	LEFT	353	8.9			
	RIGHT	487	14.8			
35	LEFT	135	2.0			
38	LEFT	49	0.5			
	RIGHT	80	1.3			
39	LEFT	266	2.9			
	RIGHT	191	1.9			
40	LEFT	22	0.3			
	RIGHT	293	3.9			
TOTAL		12,404	301	7	76	16

SIGN SCHEDULE

LOCATION NUMBER	QUADRANT (NE, SE, NW, SW, LEFT, RIGHT)	OBJECT MARKER - TYPE 3 EACH	TELESCOPING STEEL SIGN SUPPORT FOOT
4	NE	1	16
TOTAL		1	16

DRAINAGE SCHEDULE

LOCATION NUMBER	QUADRANT (NE, SE, NW, SW, LEFT, RIGHT)	PIPE CULVERTS, CLASS D, TYPE 1 18" FOOT	END SECTIONS, 18" TON	STONE DUMPED RIPRAP, CLASS A3 (SPECIAL) TON
1	LEFT	60		
	RIGHT	62		
9	NW	42		
10	NE	42		
	SE	60		
18	LEFT	74	2	24
21	RIGHT	56		
25	LEFT	62		
TOTAL		458	2	24

PIPE CULVERT REMOVAL SCHEDULE

LOCATION NUMBER	QUADRANT (NE, SE, NW, SW, LEFT, RIGHT)	PIPE CULVERT REMOVAL FOOT
10	NE	77
18	LEFT	24
21	RIGHT	19
TOTAL		120

MODEL Default
FILE Name: 2527_1-ehk-Schedules.dgn



JOB = 2527.1
 FILE NAME = 2527_1-ehk-Schedules.dgn
 PLOT SCALE = 2.0000' / 1in.
 PLOT DATE = 2/13/2020

DESIGNED - NAK
 DRAWN - SJS
 CHECKED - CGF
 DATE - 10/25/2019

REVISED -
 REVISED -
 REVISED -
 REVISED -

GREENE COUNTY GUARDRAIL IMPROVEMENTS

SCHEDULES OF QUANTITIES

SCALE: SHEET 1 OF 3 SHEETS STA. TO STA.

VARIOUS ROUTES	SECTION	COUNTY	TOTAL SHEETS	SHEET NO.
	17-00097-00-GR	GREENE	30	5
CONTRACT NO. 97728				
ILLINOIS		FED. AID PROJECT		

GUARDRAIL SCHEDULE

LOCATION NUMBER	QUADRANT (NE, SE, NW, SW, LEFT, RIGHT)	SPBGR, TY A, 9' POSTS	SPBGR, TY B, 9' POSTS	SPBGR (SHORT RADIUS)	LONG-SPAN GUARDRAIL OVER CULVERT, 12 FT 6 IN SPAN	STRONG POST GUARDRAIL ATTACHED TO CULVERT	TBT TY 1 (SPECIAL) TANGENT 50'	TBT TYPE 2	TBT TYPE 5	TBT TYPE 5A	TBT TYPE 6	TBT TYPE 6A	GUARDRAIL REMOVAL	GUARDRAIL REMOVAL SPECIAL	GUARDRAIL REFLECTORS, TYPE A	TERMINAL MARKER - DIRECT APPLIED		
		FOOT	FOOT	FOOT	FOOT	FOOT	EACH	EACH	EACH	EACH	EACH	EACH	FOOT	FOOT	EACH	EACH		
1	LEFT	25.0			37.5		2								4	2		
	RIGHT	25.0			37.5		2								4	2		
2	NW						1		1				75.0		4	1		
	SW	12.5					1			1			75.0		4	1		
	NE	12.5					1				1		75.0		4	1		
	SE						1		1				75.0		4	1		
4	NW						1			1					4	1		
	SW						1			1					4	1		
	SE						1			1					4	1		
9	NW						1			1			37.5		4	1		
	SW	25.0					1			1			37.5		4	1		
	NE	25.0					1			1			37.5		4	1		
	SE						1			1			37.5		4	1		
10	NW						1			1			37.5		4	1		
	SW	25.0					1			1			37.5		4	1		
	NE	25.0					1			1			37.5		4	1		
	SE						1			1			37.5		4	1		
11	LEFT	150.0					2						250.0		4	2		
	RIGHT	700.0					4						900.0		12	4		
12	LEFT	150.0					2						250.0		4	2		
	RIGHT	150.0					2						250.0		4	2		
13	LEFT	162.5					2						262.5		4	2		
	RIGHT	150.0					2						250.0		4	2		
14	LEFT	537.5					2						637.5		7	2		
	RIGHT	537.5					2						637.5		7	2		
15	NW						1					1			4	1		
	SW	25.0					1					1	100.0		4	1		
	NE	525.0					1					1	612.5		8	1		
	SE	512.5					1					1	600.0		7	1		
17	LEFT	137.5					2						237.5		4	2		
	RIGHT	137.5					2						237.5		4	2		
18	LEFT						2						75.0			2		
	RIGHT	300.0					2						400.0		4	2		
19	LEFT						2						100.0			2		
	RIGHT	37.5					2						137.5		4	2		
20	LEFT	200.0					2						300.0		4	2		
	RIGHT	200.0					2						300.0		4	2		
21	LEFT	112.5					2						200.0		4	2		
	RIGHT	162.5					2						262.5		4	2		
22	LEFT	287.5					4						487.5		8	4		
	RIGHT	125.0					2						225.0		4	2		
24	LEFT	62.5					2						162.5		4	2		
25	LEFT	200.0					2						250.0		4	2		
30	NW	375.0					1			1			437.5		6	1		
	SW	62.5					1			1			37.5		4	1		
	NE	37.5					1			1			37.5		4	1		
	SE	12.5					1			1			37.5		4	1		
31	LEFT	250.0					2						350.0		4	2		
	RIGHT	112.5					2						212.5		4	2		
SUBTOTAL		6,587.5	0.0	0.0	0.0	75.0	0.0	0.0	79	0	2	15	2	4	9,837.5	0.0	215	79

MODEL: Default
FILE NAME: 2527.1-ahk-Schedules.dgn



JOB = 2527.1
FILE NAME = 2527.1-ahk-Schedules.dgn
PLOT SCALE = 2.0000" / 1in.
PLOT DATE = 2/13/2020

DESIGNED - NAK
DRAWN - SJS
CHECKED - CGF
DATE - 10/25/2019

REVISED -
REVISED -
REVISED -
REVISED -

**GREENE COUNTY
GUARDRAIL IMPROVEMENTS**

SCHEDULES OF QUANTITIES

SCALE: SHEET 2 OF 3 SHEETS STA. TO STA.

VARIOUS ROUTES	SECTION	COUNTY	TOTAL SHEETS	SHEET NO.
	17-00097-00-GR	GREENE	30	6
CONTRACT NO. 97728				
		ILLINOIS	FED. AID PROJECT	

GUARDRAIL SCHEDULE

LOCATION NUMBER	QUADRANT (NE, SE, NW, SW, LEFT, RIGHT)	SPBGR, TY A, 9' POSTS	SPBGR, TY B, 9' POSTS	SPBGR (SHORT RADIUS)	LONG-SPAN GUARDRAIL OVER CULVERT, 12 FT 6 IN SPAN	STRONG POST GUARDRAIL ATTACHED TO CULVERT	TBT TY 1 (SPECIAL) TANGENT	TBT TYPE 2	TBT TYPE 5	TBT TYPE 5A	TBT TYPE 6	TBT TYPE 6A	GUARDRAIL REMOVAL	GUARDRAIL REMOVAL SPECIAL	GUARDRAIL REFLECTORS, TYPE A	TERMINAL MARKER - DIRECT APPLIED
		FOOT	FOOT	FOOT		FOOT	FOOT									
32	LEFT	175.0					2						275.0		4	2
33	LEFT	550.0					2						650.0		7	2
	RIGHT	525.0					2						625.0		7	2
34	LEFT	237.5					2						337.5		4	2
	RIGHT	312.5					2						412.5		4	2
35	LEFT	362.5				25.0	3						500.0	50.0	8	3
	RIGHT	175.0					2						275.0		4	2
37	LEFT	12.5	25.0			25.0	1	1					137.5		4	1
	RIGHT	75.0	50.0			25.0	2						250.0		4	2
38	LEFT	37.5					4						237.5		8	4
	RIGHT	100.0	50.0			12.5	2						250.0		4	2
39	LEFT	75.0					4						287.5		4	4
	RIGHT	112.5			37.5		2						250.0		4	2
40	LEFT	150.0		25.0			2						262.5		8	2
	RIGHT	150.0					2						250.0		4	2
SUBTOTAL		3,050.0	125.0	25.0	37.5	87.5	34	1	0	0	0	0	5,000.0	50.0	78	34
TOTAL		9,637.5	125.0	25.0	112.5	87.5	113	1	2	15	2	4	14,837.5	50.0	293	113
USE													14,838	50		

SEEDING SCHEDULE

LOCATION NUMBER	QUADRANT (NE, SE, NW, SW, LEFT, RIGHT)	SEEDING, CLASS 2 (SPECIAL)	ACRE
1	LEFT		0.021
	RIGHT		0.024
2	NW		0.007
	SW		0.013
	NE		0.031
	SE		0.012
4	NW		0.013
	SW		0.039
	SE		0.024
9	NW		0.025
	SW		0.015
	NE		0.001
	SE		0.022
10	NW		0.011
	SW		0.038
	NE		0.044
	SE		0.020
11	LEFT		0.046
	RIGHT		0.026
12	LEFT		0.063
	RIGHT		0.079
SUBTOTAL			0.574

SEEDING SCHEDULE

LOCATION NUMBER	QUADRANT (NE, SE, NW, SW, LEFT, RIGHT)	SEEDING, CLASS 2 (SPECIAL)	ACRE
13	LEFT		0.115
	RIGHT		0.129
14	LEFT		0.205
	RIGHT		0.224
15	NE		0.023
	SE		0.058
17	LEFT		0.021
	RIGHT		0.012
18	LEFT		0.034
	RIGHT		0.037
19	LEFT		0.019
	RIGHT		0.032
20	LEFT		0.016
	RIGHT		0.119
21	RIGHT		0.026
22	LEFT		0.013
24	LEFT		0.013
25	LEFT		0.077
30	NW		0.145
33	LEFT		0.234
	RIGHT		0.203
SUBTOTAL			1.755

SEEDING SCHEDULE

LOCATION NUMBER	QUADRANT (NE, SE, NW, SW, LEFT, RIGHT)	SEEDING, CLASS 2 (SPECIAL)	ACRE
32	LEFT		0.148
31	LEFT		0.096
	RIGHT		0.069
34	LEFT		0.089
	RIGHT		0.148
35	LEFT		0.020
38	LEFT		0.005
	RIGHT		0.013
39	LEFT		0.029
	RIGHT		0.019
40	LEFT		0.003
	RIGHT		0.039
SUBTOTAL			0.678
TOTAL			3.007
USE			3.00

MODEL: Default
FILE NAME: 2527_1-hh-Schedule.dgn



JOB = 2527.1
FILE NAME = 2527_1-hh-Schedule.dgn
PLOT SCALE = 2,000' / 1 in.
PLOT DATE = 2/13/2020

DESIGNED - NAK
DRAWN - SJS
CHECKED - CGF
DATE - 10/25/2019

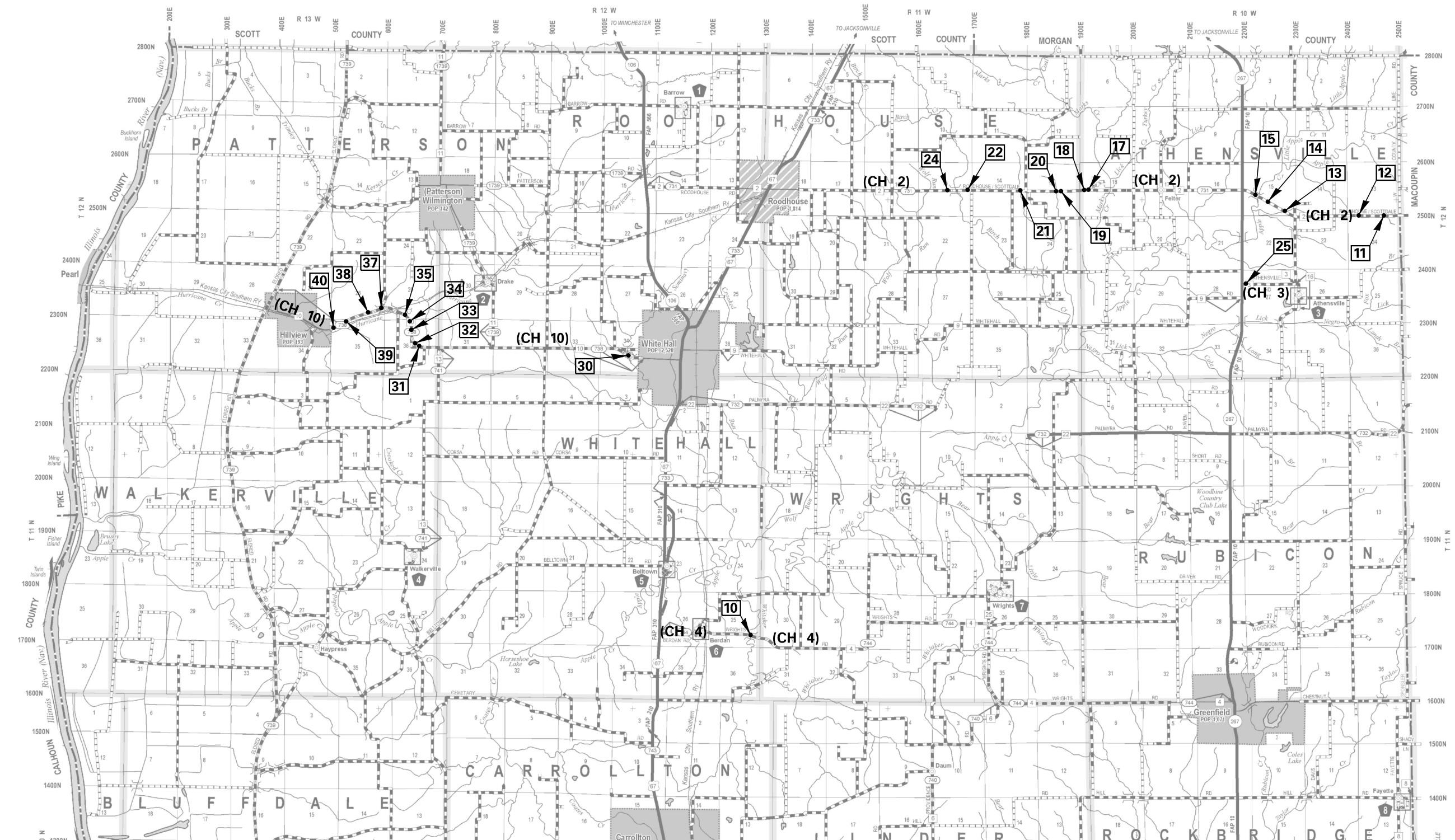
REVISED -
REVISED -
REVISED -
REVISED -

GREENE COUNTY GUARDRAIL IMPROVEMENTS

SCHEDULES OF QUANTITIES

SCALE: SHEET 3 OF 3 SHEETS STA. TO STA.

VARIOUS ROUTES	SECTION	COUNTY	TOTAL SHEETS	SHEET NO.
	17-00097-00-GR	GREENE	30	7
CONTRACT NO. 97728				
ILLINOIS		FED. AID PROJECT		



MATCHLINE - SOUTH GREENE COUNTY

MODEL: Default
FILE NAME: 2527.1_sht-location_map.dgn

CEC Cummins
Engineering
Corporation
Civil and Structural Engineering

JOB = 2527.1
FILE NAME = 2527.1_sht-location map.dgn
PLOT SCALE = 2.0000"/in.
PLOT DATE = 2/13/2020

DESIGNED - NAK
DRAWN - SJS
CHECKED - CGF
DATE - 10/25/2019

REVISED -
REVISED -
REVISED -
REVISED -

**GREENE COUNTY
GUARDRAIL IMPROVEMENTS**

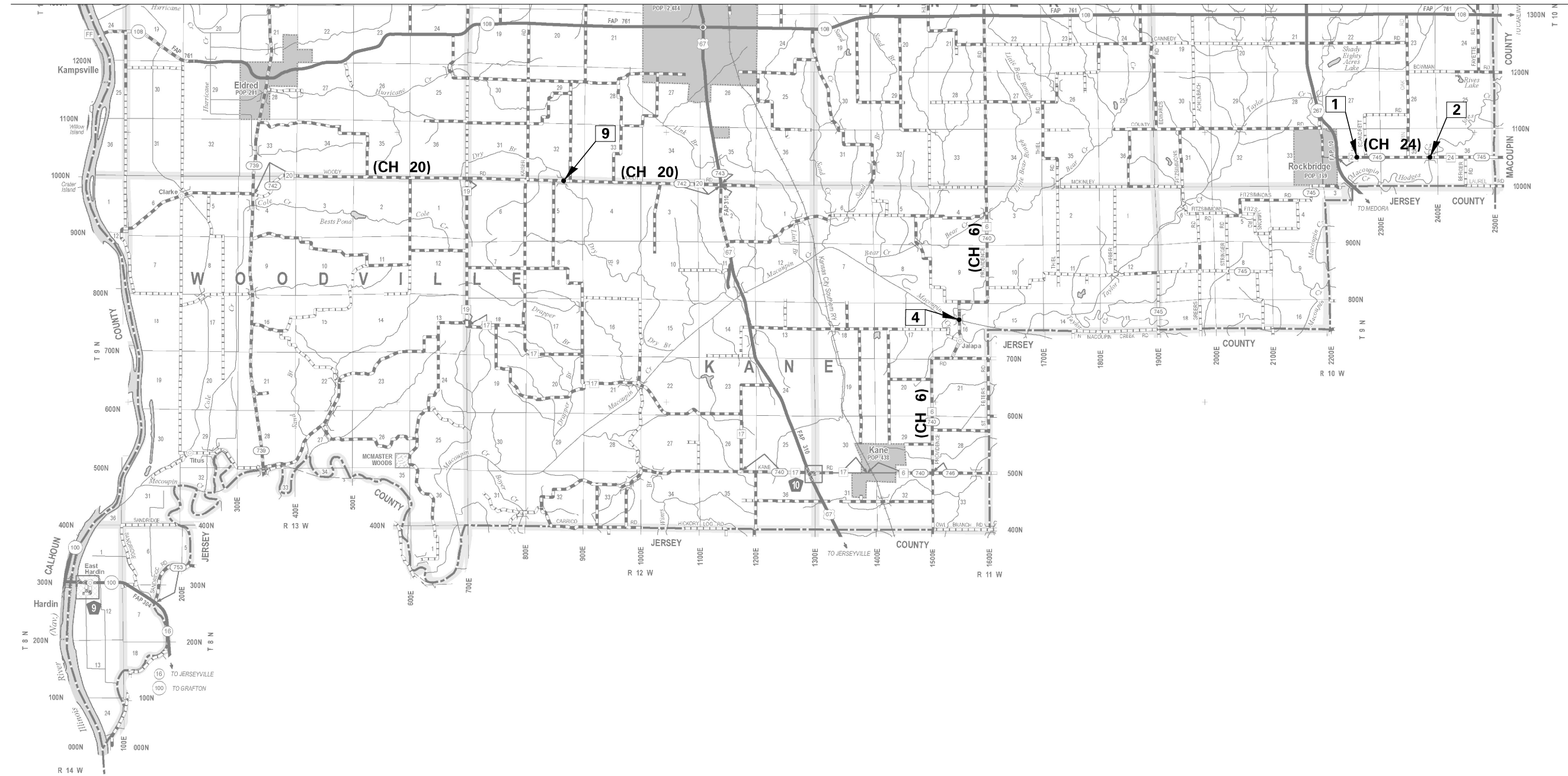
**NORTHERN LOCATION MAP
GREENE COUNTY**

SCALE: SHEET 1 OF 2 SHEETS STA. TO STA.

VARIOUS ROUTES	SECTION	COUNTY	TOTAL SHEETS	SHEET NO.
	17-00097-00-GR	GREENE	30	8
CONTRACT NO. 97728				
ILLINOIS FED. AID PROJECT				



MATCHLINE - NORTH GREENE COUNTY



MODEL: Default
FILE NAME: 2527.1_sht-location_map.dgn

CEC Cummins
Engineering
Corporation
Civil and Structural Engineering

JOB = 2527.1
FILE NAME = 2527.1_sht-location map.dgn
PLOT SCALE = 2.0000 1/In.
PLOT DATE = 2/13/2020

DESIGNED - NAK
DRAWN - SJS
CHECKED - CGF
DATE - 10/25/2019

REVISED -
REVISED -
REVISED -
REVISED -

**GREENE COUNTY
GUARDRAIL IMPROVEMENTS**

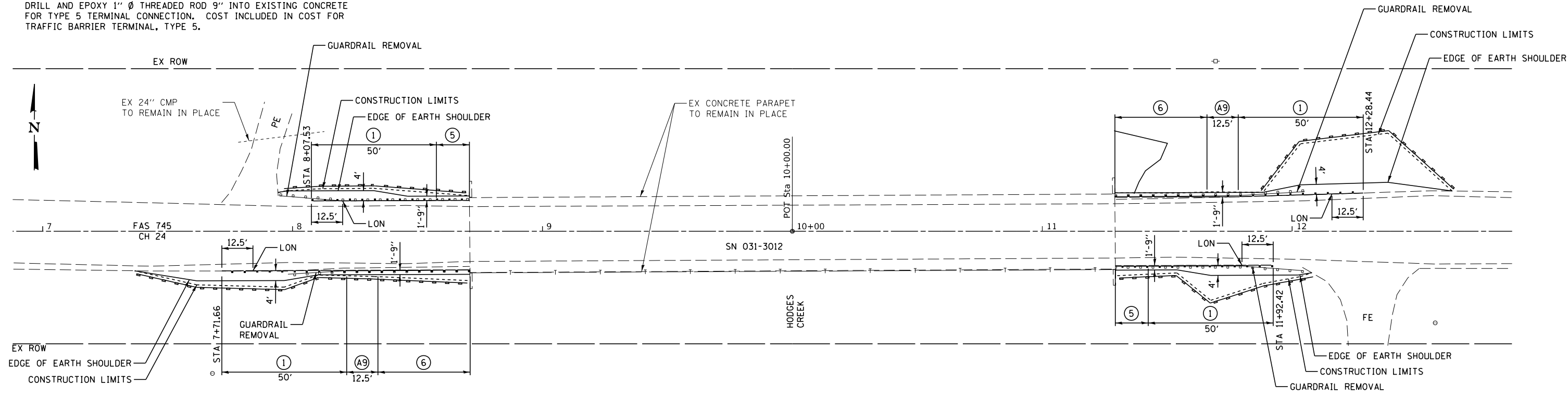
**SOUTHERN LOCATION MAP
GREENE COUNTY**

SCALE: SHEET 2 OF 2 SHEETS STA. TO STA.

VARIOUS ROUTES	SECTION	COUNTY	TOTAL SHEETS	SHEET NO.
	17-00097-00-GR	GREENE	30	9
CONTRACT NO. 97728				
		ILLINOIS	FED. AID PROJECT	

NOTE:

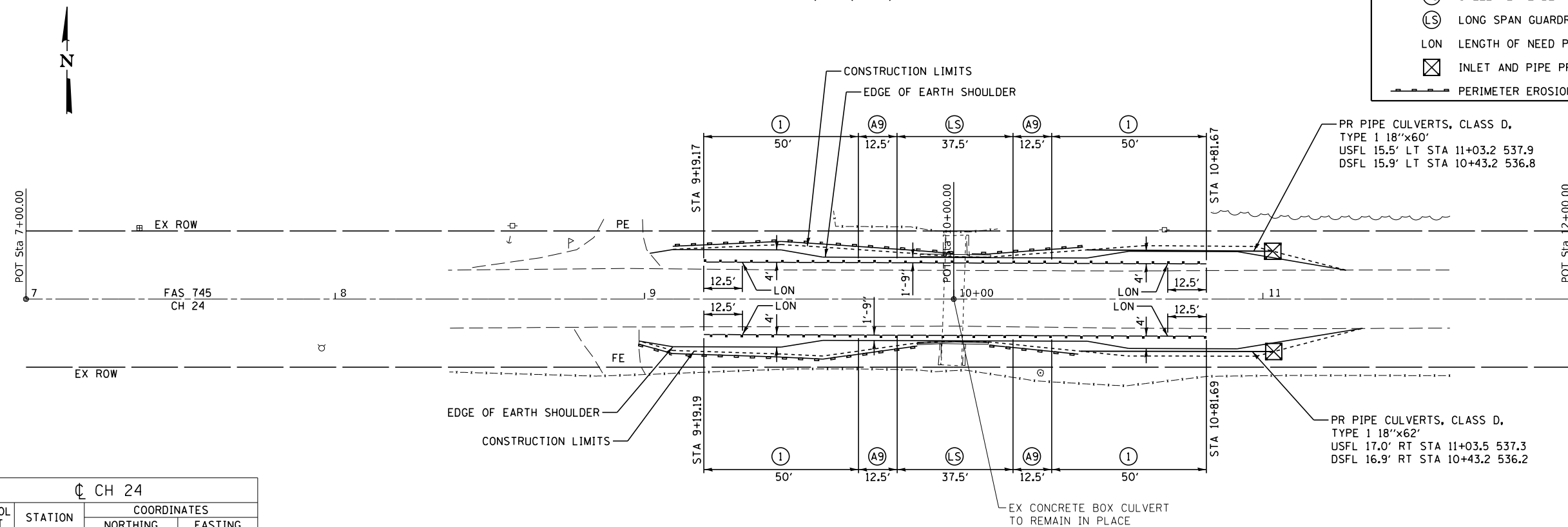
DRILL AND EPOXY 1" Ø THREADED ROD 9" INTO EXISTING CONCRETE FOR TYPE 5 TERMINAL CONNECTION, COST INCLUDED IN COST FOR TRAFFIC BARRIER TERMINAL, TYPE 5.



CH 24			
CONTROL POINT	STATION	COORDINATES	
		NORTHING	EASTING
POT	6+50.00	947696.54	2295342.68
POT	10+00.00	947695.26	2295692.67
POT	13+50.00	947693.98	2296042.67

LOCATION NO. 2
MAJOR COLLECTOR
ADT 200
DESIGN SPEED 40 MPH

LEGEND	
①	TRAFFIC BARRIER TERMINAL, TYPE 1 (SPECIAL) TANGENT
⑤	TRAFFIC BARRIER TERMINAL, TYPE 5
⑥	TRAFFIC BARRIER TERMINAL, TYPE 6
Ⓐ9	STEEL PLATE BEAM GUARDRAIL, TYPE A, 9 FOOT POSTS
ⒻS	LONG SPAN GUARDRAIL OVER CULVERT, 12 FOOT 6 INCH SPAN
LON	LENGTH OF NEED POINT
⊠	INLET AND PIPE PROTECTION
---	PERIMETER EROSION BARRIER



CH 24			
CONTROL POINT	STATION	COORDINATES	
		NORTHING	EASTING
POT	7+00.00	947684.16	2288830.31
POT	10+00.00	947685.23	2289130.31
POT	12+00.00	947685.95	2289330.31

LOCATION NO. 1
MAJOR COLLECTOR
ADT 200
DESIGN SPEED 40 MPH



GREENE COUNTY
GUARDRAIL IMPROVEMENTS

PLAN - LOCATIONS NO. 1 & 2

SCALE: SHEET OF SHEETS STA. TO STA.

VARIOUS ROUTES	SECTION	COUNTY	TOTAL SHEETS	SHEET NO.
			17-00097-00-GR	GREENE
CONTRACT NO. 97728				

ILLINOIS FED. AID PROJECT

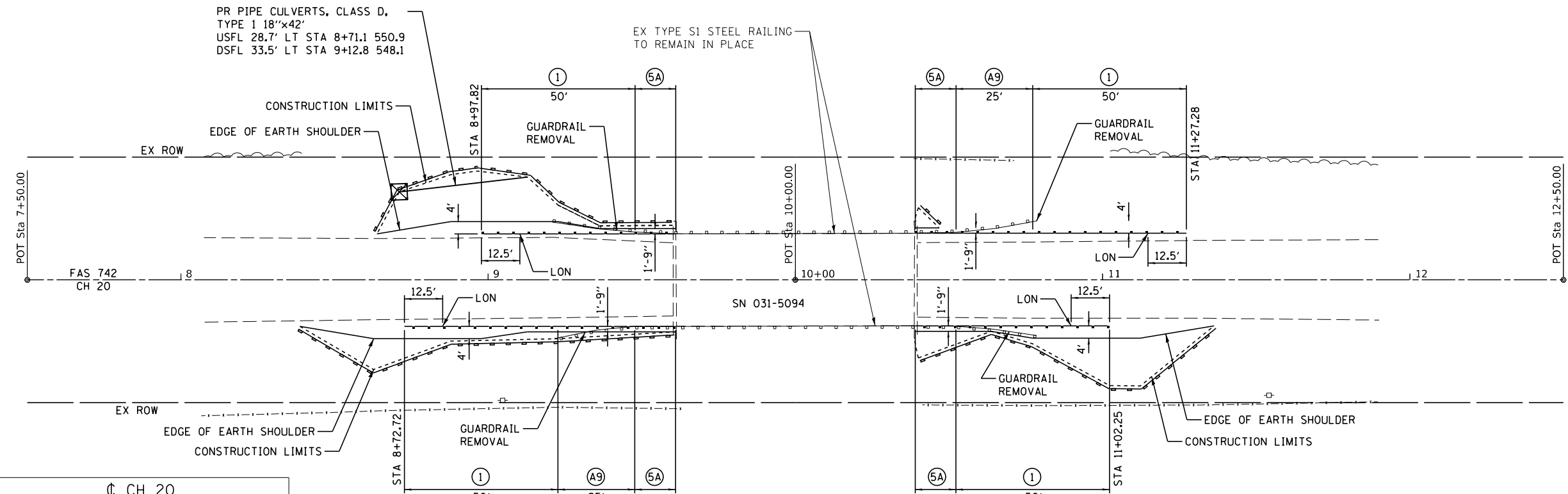
MODEL: Default
FILE NAME: 2527_1-shh-pln_1-2.dgn



JOB = 2527.1
FILE NAME = 2527_1-shh-pln_1-2.dgn
PLOT SCALE = 40,0000 / 1 in.
PLOT DATE = 2/13/2020

DESIGNED - NAK
DRAWN - SJS
CHECKED - CGF
DATE - 10/25/2019

REVISED -
REVISED -
REVISED -
REVISED -



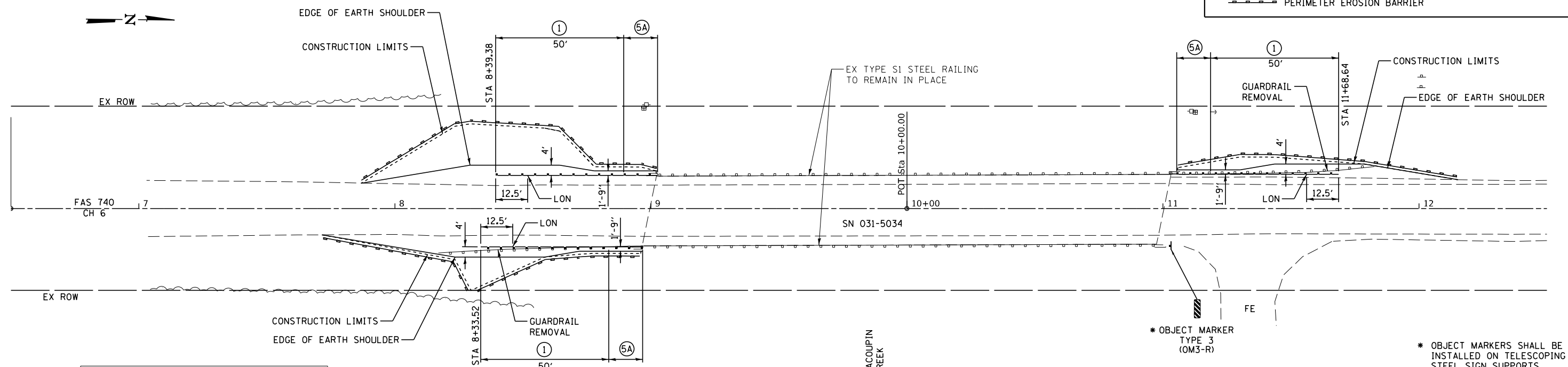
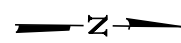
CH 20

CONTROL POINT	STATION	COORDINATES	
		NORTHING	EASTING
POT	7+50.00	945523.36	2215127.70
POT	10+00.00	945515.87	2215377.59
POT	12+50.00	945508.39	2215627.48

LOCATION NO. 9
MAJOR COLLECTOR
ADT 575
DESIGN SPEED 50 MPH

LEGEND

- ① TRAFFIC BARRIER TERMINAL, TYPE 1 (SPECIAL) TANGENT
- ⑤A TRAFFIC BARRIER TERMINAL, TYPE 5A
- ⑨A STEEL PLATE BEAM GUARDRAIL, TYPE A, 9' POSTS
- LON LENGTH OF NEED POINT
- PERIMETER EROSION BARRIER



CH 6

CONTROL POINT	STATION	COORDINATES	
		NORTHING	EASTING
POT	6+50.00	932221.13	2252195.68
POT	10+00.00	932571.11	2252192.04
POT	13+50.00	932921.09	2252188.40

LOCATION NO. 4
MAJOR COLLECTOR
ADT 250
DESIGN SPEED 40 MPH



MODEL: Default
FILE NAME: 2527_1-ehp-plan_4-9.dgn



JOB = 2527.1
FILE NAME = 2527_1-ehp-plan_4-9.dgn
PLOT SCALE = 40,0000 / 1 in.
PLOT DATE = 2/13/2020

DESIGNED - NAK
DRAWN - SJS
CHECKED - CGF
DATE - 10/25/2019

REVISED -
REVISED -
REVISED -
REVISED -

**GREENE COUNTY
GUARDRAIL IMPROVEMENTS**

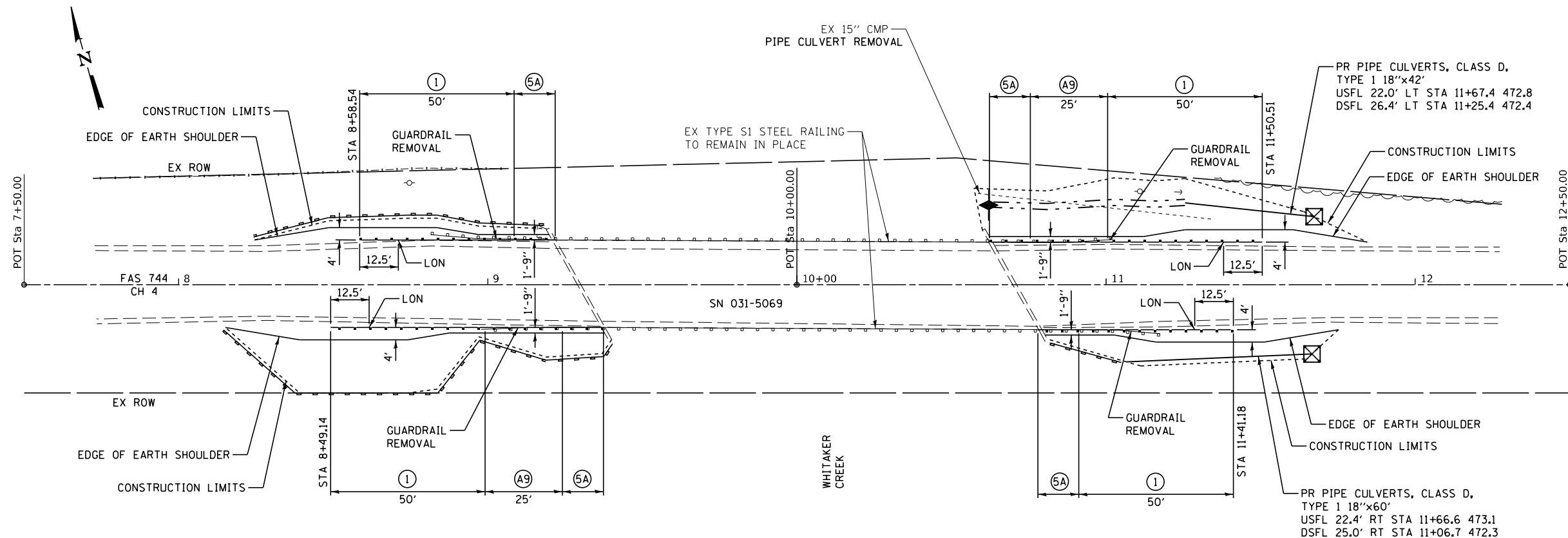
PLAN LOCATIONS NO. 4 & 9

SCALE: SHEET OF SHEETS STA. TO STA.

VARIOUS ROUTES	SECTION	COUNTY	TOTAL SHEETS	SHEET NO.
			17-00097-00-GR	GREENE
			CONTRACT NO. 97728	
		ILLINOIS	FED. AID PROJECT	

LEGEND

- ① TRAFFIC BARRIER TERMINAL, TYPE 1 (SPECIAL) TANGENT
- ⑤A TRAFFIC BARRIER TERMINAL, TYPE 5A
- Ⓐ9 STEEL PLATE BEAM GUARDRAIL, TYPE A, 9' POSTS
- LON LENGTH OF NEED POINT
- PERIMETER EROSION BARRIER
- ⊠ INLET AND PIPE PROTECTION
- ◆ TEMPORARY DITCH CHECKS
- == :: GRADING AND SHAPING DITCHES



CH 4			
CONTROL POINT	STATION	COORDINATES	
		NORTHING	EASTING
POT	7+50.00	982243.76	2236327.16
POT	10+00.00	982178.23	2236568.42
POT	12+50.00	982112.70	2236809.68

LOCATION NO. 10
 MAJOR COLLECTOR
 ADT 300
 DESIGN SPEED 40 MPH



MODEL: Default
 FILE NAME: 2527.1-ahh-plan_10.dgn



JOB = 2527.1
 FILE NAME = 2527.1-ahh-plan_10.dgn
 PLOT SCALE = 40,0000' / in.
 PLOT DATE = 2/13/2020

DESIGNED - NAK
 DRAWN - SJS
 CHECKED - CGF
 DATE - 10/25/2019

REVISED -
 REVISED -
 REVISED -
 REVISED -

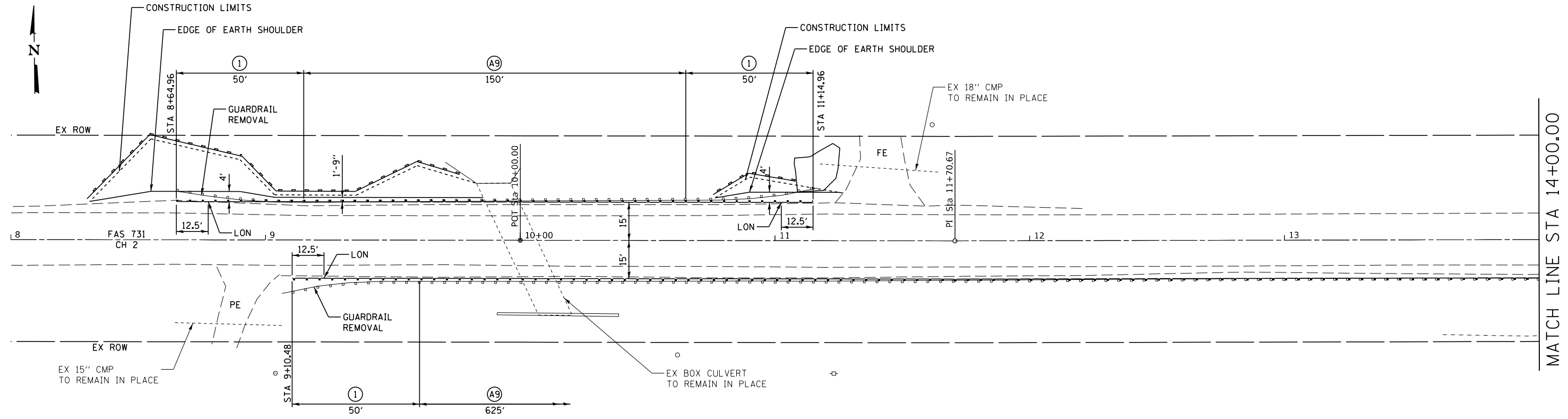
**GREENE COUNTY
 GUARDRAIL IMPROVEMENTS**

PLAN LOCATION NO. 10

SCALE: SHEET OF SHEETS STA. TO STA.

VARIOUS ROUTES	SECTION	COUNTY	TOTAL SHEETS	SHEET NO.
	17-00097-00-GR	GREENE	30	12
CONTRACT NO. 97728				
		ILLINOIS	FED. AID PROJECT	

SEC 13, T12N, R10W, 3RD PM



MATCH LINE STA 14+00.00

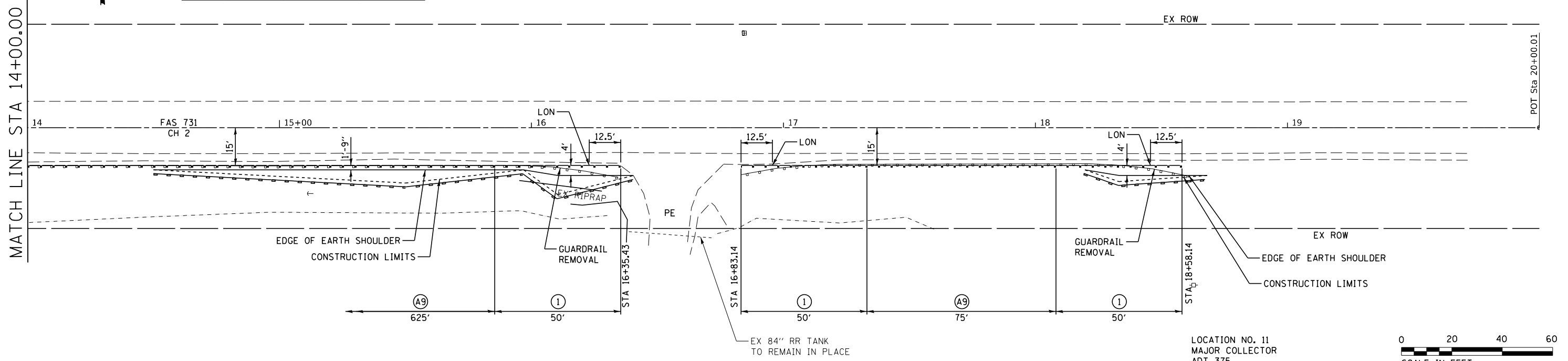
SEC 24, T12N, R10W, 3RD PM
SEC 13, T12N, R10W, 3RD PM

LEGEND

- ① TRAFFIC BARRIER TERMINAL, TYPE 1 (SPECIAL) TANGENT
- Ⓐ STEEL PLATE BEAM GUARDRAIL, TYPE A, 9' POSTS
- LON LENGTH OF NEED POINT
- PERIMETER EROSION BARRIER

CH 2

CONTROL POINT	STATION	COORDINATES	
		NORTHING	EASTING
POT	7+00.00	1023419.19	2296039.87
POT	10+00.00	1023414.96	2296339.84
PI	11+70.67	1023412.55	2296510.49
POT	20+00.01	1023403.81	2297339.78

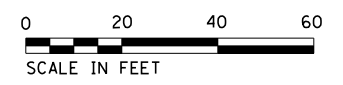


MATCH LINE STA 14+00.00

POT Sta 20+00.01

SEC 24, T12N, R10W, 3RD PM

LOCATION NO. 11
MAJOR COLLECTOR
ADT 375
DESIGN SPEED 40 MPH



MODEL: Default
FILE NAME: 2527_1-shh-plan_11.dgn



JOB = 2527.1
FILE NAME = 2527_1-shh-plan_11.dgn
PLOT SCALE = 40,000.00 / in.
PLOT DATE = 2/13/2020

DESIGNED - NAK
DRAWN - SJS
CHECKED - CGF
DATE - 10/25/2019

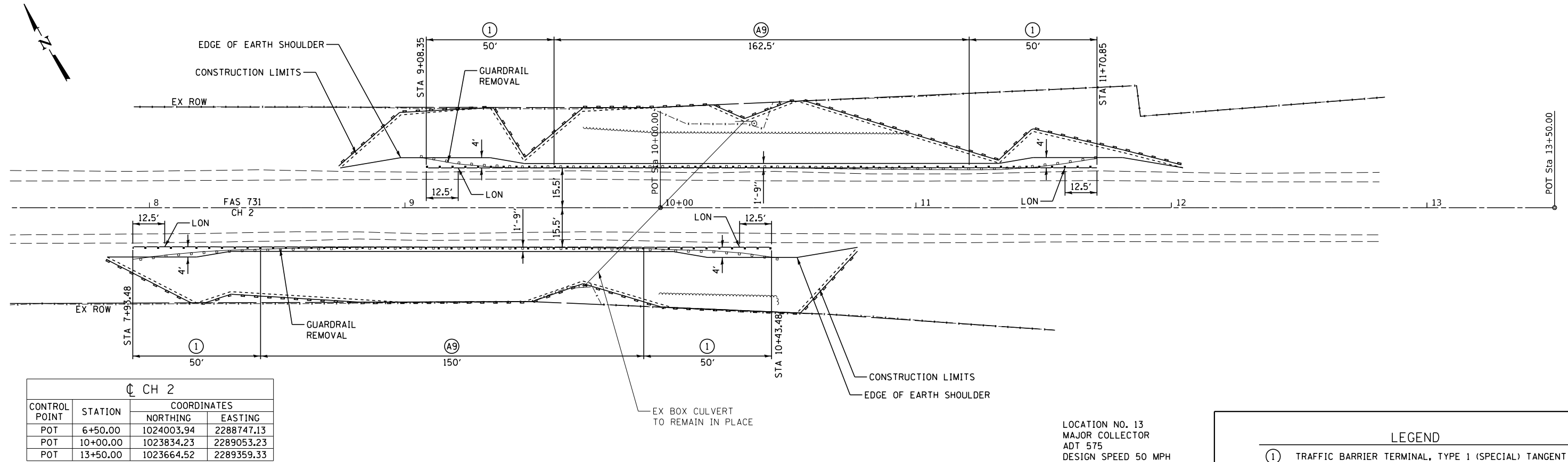
REVISED -
REVISED -
REVISED -
REVISED -

**GREENE COUNTY
GUARDRAIL IMPROVEMENTS**

PLAN - LOCATION NO. 11

SCALE: SHEET OF SHEETS STA. TO STA.

VARIOUS ROUTES	SECTION	COUNTY	TOTAL SHEETS	SHEET NO.
			17-00097-00-GR	GREENE
			CONTRACT NO. 97728	
		ILLINOIS	FED. AID PROJECT	



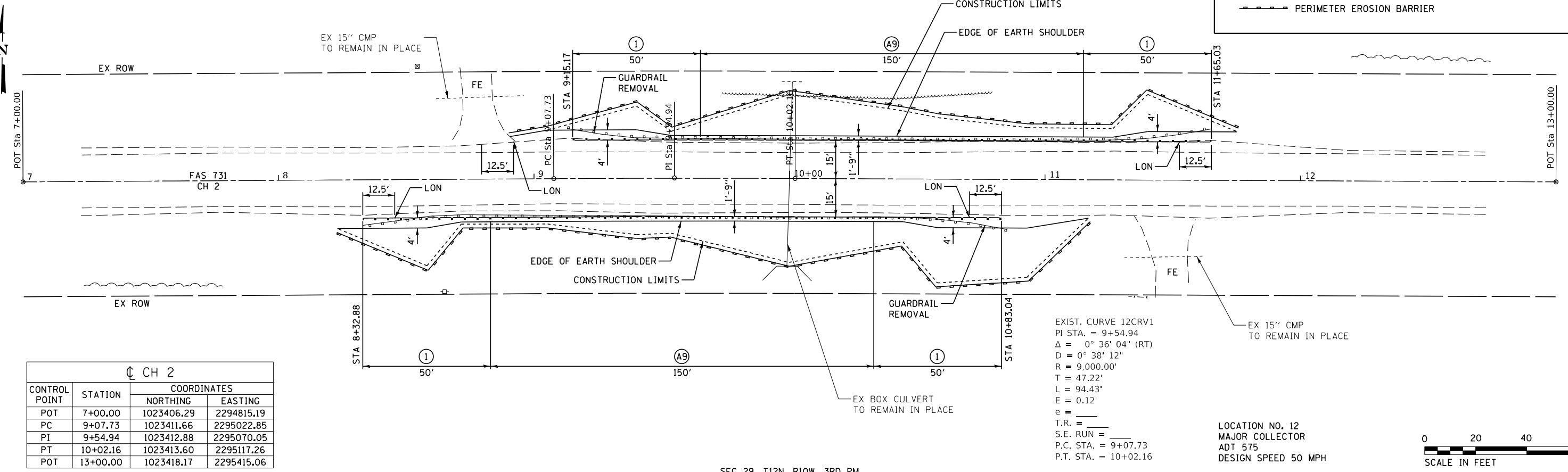
CH 2

CONTROL POINT	STATION	COORDINATES	
		NORTHING	EASTING
POT	6+50.00	1024003.94	2288747.13
POT	10+00.00	1023834.23	2289053.23
POT	13+50.00	1023664.52	2289359.33

LOCATION NO. 13
 MAJOR COLLECTOR
 ADT 575
 DESIGN SPEED 50 MPH

LEGEND

- ① TRAFFIC BARRIER TERMINAL, TYPE 1 (SPECIAL) TANGENT
- Ⓐ STEEL PLATE BEAM GUARDRAIL, TYPE A, 9' POSTS
- LON LENGTH OF NEED POINT
- PERIMETER EROSION BARRIER

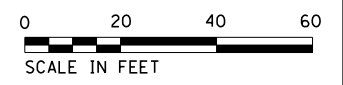


CH 2

CONTROL POINT	STATION	COORDINATES	
		NORTHING	EASTING
POT	7+00.00	1023406.29	2294815.19
PC	9+07.73	1023411.66	2295022.85
PI	9+54.94	1023412.88	2295070.05
PT	10+02.16	1023413.60	2295117.26
POT	13+00.00	1023418.17	2295415.06

EXIST. CURVE 12CRV1
 PI STA. = 9+54.94
 $\Delta = 0^\circ 36' 04''$ (RT)
 $D = 0^\circ 38' 12''$
 $R = 9,000.00'$
 $T = 47.22'$
 $L = 94.43'$
 $E = 0.12'$
 $e =$
 $T.R. =$
 $S.E. RUN =$
 P.C. STA. = 9+07.73
 P.T. STA. = 10+02.16

LOCATION NO. 12
 MAJOR COLLECTOR
 ADT 575
 DESIGN SPEED 50 MPH



GREENE COUNTY
 GUARDRAIL IMPROVEMENTS

PLAN - LOCATIONS NO. 12 & 13



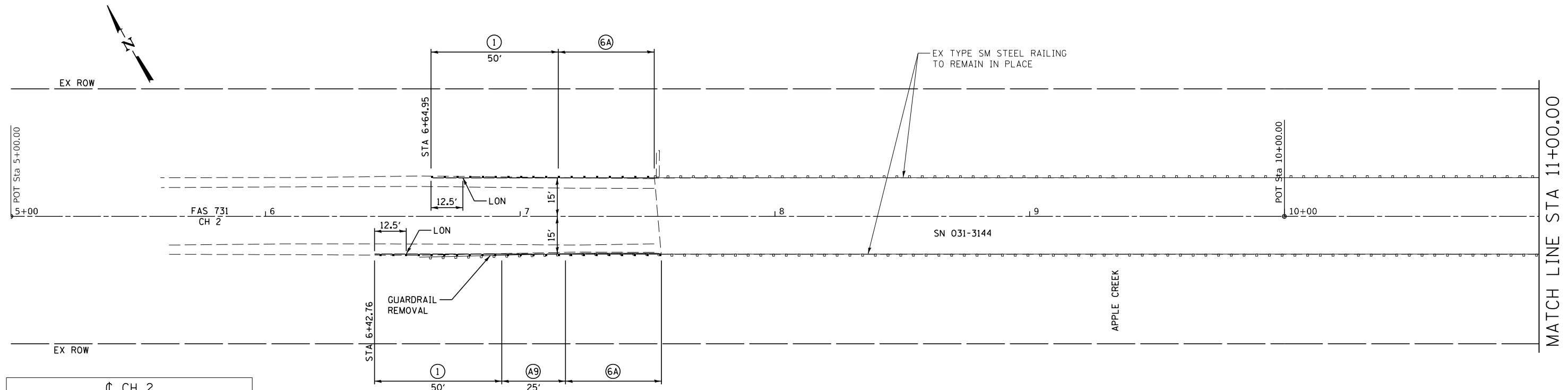
JOB = 2527.1
 FILE NAME = 2527.1-shh-plan_12-13.dgn
 PLOT SCALE = 40,000' / 1" = 1/4" = 1/4" = 1/4"
 PLOT DATE = 2/13/2020

DESIGNED -	NAK	REVISED -	
DRAWN -	SJS	REVISED -	
CHECKED -	CGF	REVISED -	
DATE -	10/25/2019	REVISED -	

SCALE:	SHEET	OF	SHEETS	STA.	TO	STA.
--------	-------	----	--------	------	----	------

VARIOUS ROUTES	SECTION	COUNTY	TOTAL SHEETS	SHEET NO.
	17-00097-00-GR	GREENE	30	14
CONTRACT NO. 97728				
ILLINOIS FED. AID PROJECT				

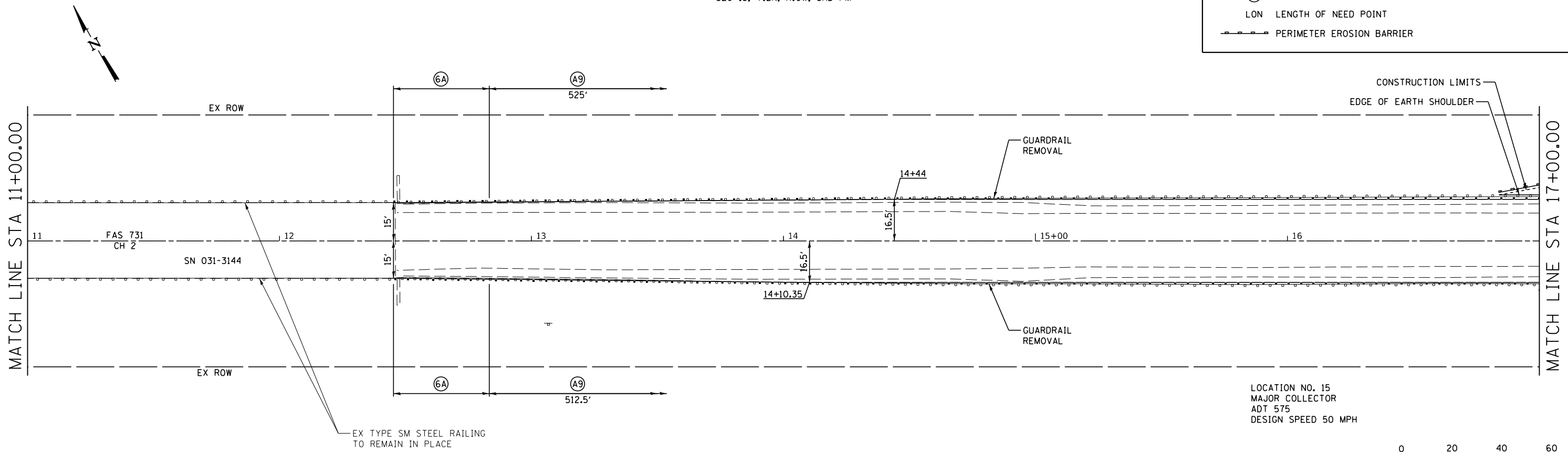
MODEL: Default
 FILE NAME: 2527.1-shh-plan_12-13.dgn



CH 2			
CONTROL POINT	STATION	COORDINATES	
		NORTHING	EASTING
POT	5+00.00	1025508.81	2286038.95
POT	10+00.00	1025266.08	2286476.09
POT	27+50.00	1024416.56	2288006.06

LOCATION NO. 15
 MAJOR COLLECTOR
 ADT 575
 DESIGN SPEED 50 MPH

LEGEND	
①	TRAFFIC BARRIER TERMINAL, TYPE 1 (SPECIAL) TANGENT
⑥A	TRAFFIC BARRIER TERMINAL, TYPE 6A
⑨A	STEEL PLATE BEAM GUARDRAIL, TYPE A, 9 FOOT POSTS
LON	LENGTH OF NEED POINT
---	PERIMETER EROSION BARRIER



LOCATION NO. 15
 MAJOR COLLECTOR
 ADT 575
 DESIGN SPEED 50 MPH



MODEL: Default
 FILE NAME: 2527.1-shh-plan_14-15.dgn



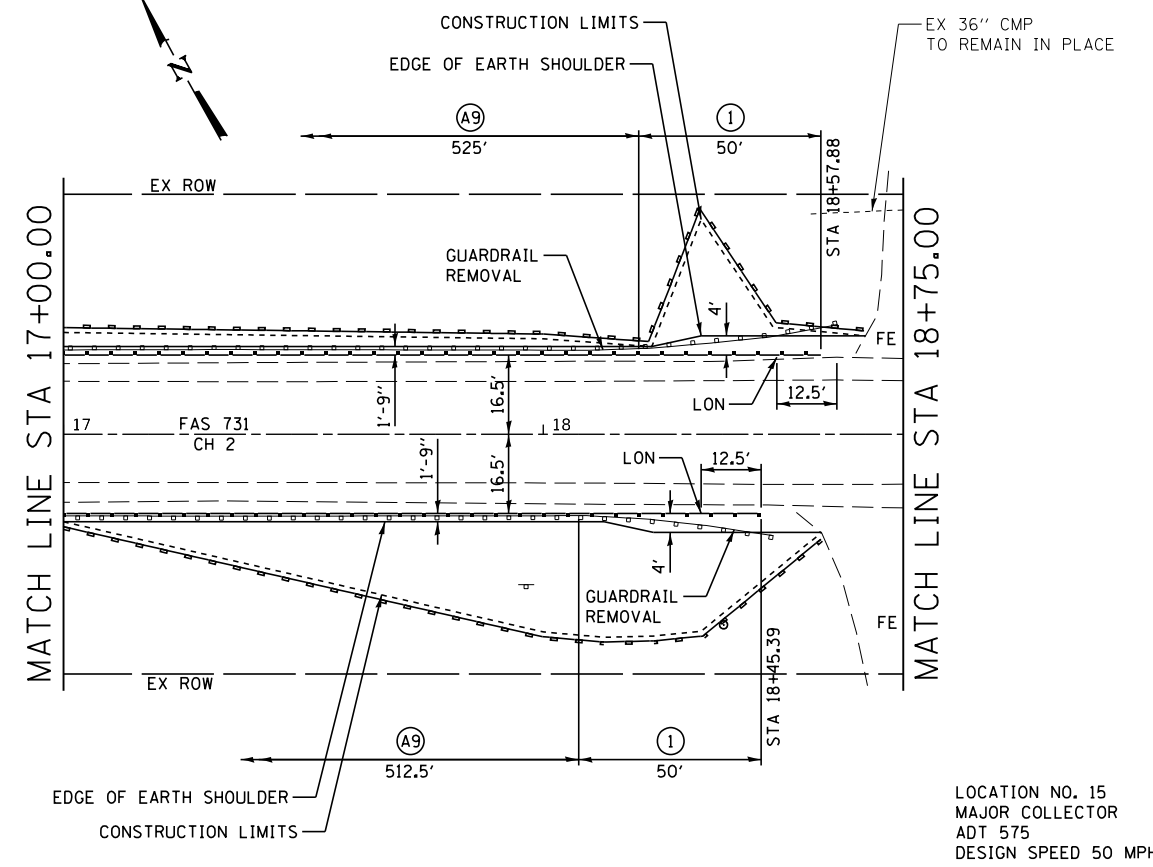
JOB = 2527.1	DESIGNED - NAK	REVISED -
FILE NAME = 2527.1-shh-plan_14-15.dgn	DRAWN - SJS	REVISED -
PLOT SCALE = 40,0000 / 1in.	CHECKED - CGF	REVISED -
PLOT DATE = 2/13/2020	DATE - 10/25/2019	REVISED -

**GREENE COUNTY
 GUARDRAIL IMPROVEMENTS**

PLAN - LOCATION NO. 15

SCALE: SHEET OF SHEETS STA. TO STA.

VARIOUS ROUTES	SECTION	COUNTY	TOTAL SHEETS	SHEET NO.
	17-00097-00-GR	GREENE	30	15
CONTRACT NO. 97728				
		ILLINOIS	FED. AID PROJECT	

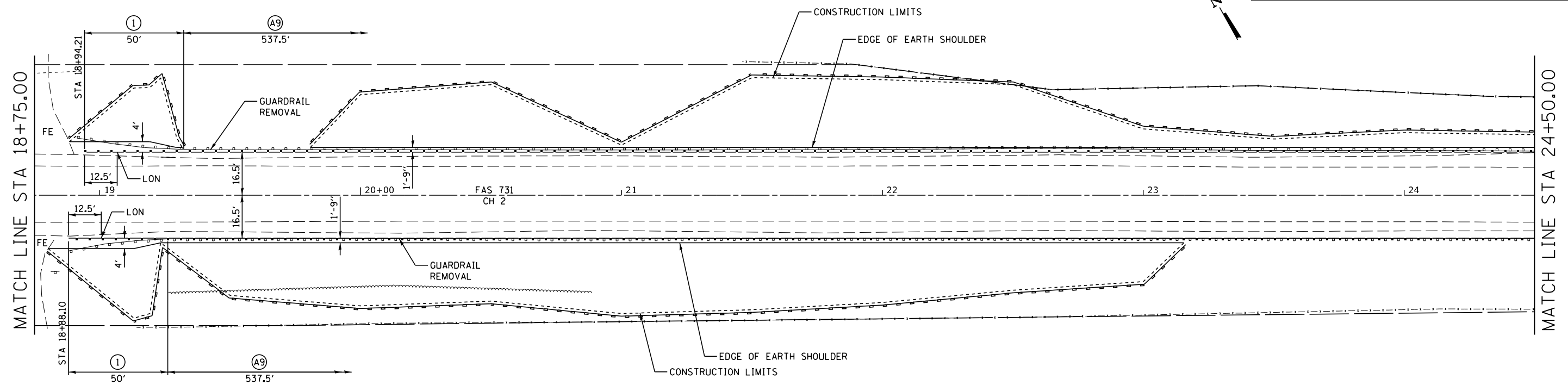


LOCATION NO. 15
 MAJOR COLLECTOR
 ADT 575
 DESIGN SPEED 50 MPH

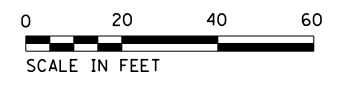
LEGEND	
①	TRAFFIC BARRIER TERMINAL, TYPE 1 (SPECIAL) TANGENT
Ⓐ9	STEEL PLATE BEAM GUARDRAIL, TYPE A, 9 FOOT POSTS
LON	LENGTH OF NEED POINT
---	PERIMETER EROSION BARRIER

SEC 15, T12N, R10W, 3RD PM

SEC 15, T12N, R10W, 3RD PM



LOCATION NO. 14
 MAJOR COLLECTOR
 ADT 575
 DESIGN SPEED 50 MPH



MODEL: Default
 FILE NAME: 2527_1-shh-plain_14-15.dgn



JOB = 2527.1
 FILE NAME = 2527_1-shh-plain_14-15.dgn
 PLOT SCALE = 40,0000 / 1 in.
 PLOT DATE = 2/13/2020

DESIGNED - NAK
 DRAWN - SJS
 CHECKED - CGF
 DATE - 10/25/2019

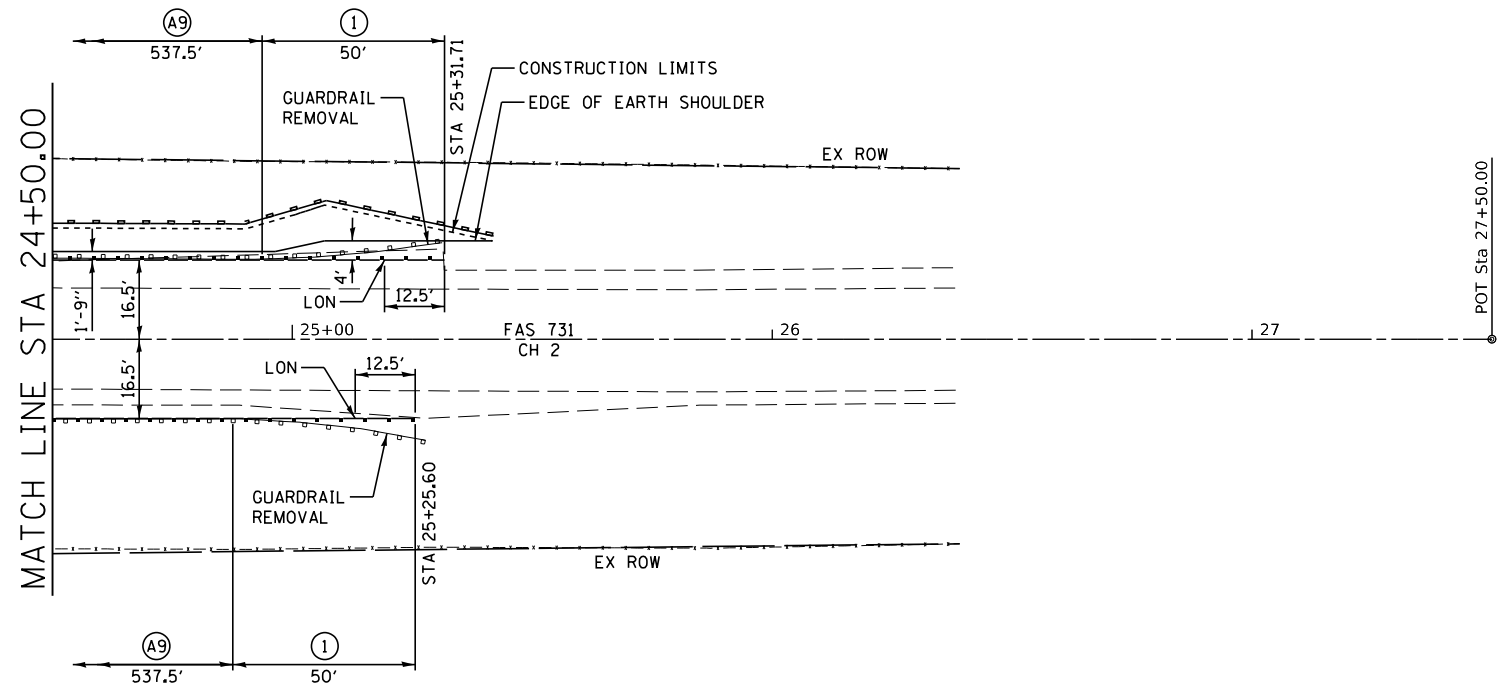
REVISED -
 REVISED -
 REVISED -
 REVISED -

**GREENE COUNTY
 GUARDRAIL IMPROVEMENTS**

PLAN - LOCATIONS NO. 14 & 15

SCALE: SHEET OF SHEETS STA. TO STA.

VARIOUS ROUTES	SECTION	COUNTY	TOTAL SHEETS	SHEET NO.
	17-00097-00-GR	GREENE	30	16
CONTRACT NO. 97728				
		ILLINOIS	FED. AID PROJECT	



- LEGEND
- ① TRAFFIC BARRIER TERMINAL, TYPE 1 (SPECIAL) TANGENT
 - Ⓐ9 STEEL PLATE BEAM GUARDRAIL, TYPE A, 9 FOOT POSTS
 - LON LENGTH OF NEED POINT
 - - - PERIMETER EROSION BARRIER

CH 2			
CONTROL POINT	STATION	COORDINATES	
		NORTHING	EASTING
POT	5+00.00	1025508.81	2286038.95
POT	10+00.00	1025266.08	2286476.09
POT	27+50.00	1024416.56	2288006.06

LOCATION NO. 14
 MAJOR COLLECTOR
 ADT 575
 DESIGN SPEED 50 MPH



MODEL: Default
 FILE NAME: 2527_1-ehb-plan_14-15.dgn



JOB = 2527.1	DESIGNED - NAK	REVISED -
FILE NAME = 2527.1-ehb-plan_14-15.dgn	DRAWN - SJS	REVISED -
PLOT SCALE = 40,0000' / in.	CHECKED - CGF	REVISED -
PLOT DATE = 2/13/2020	DATE - 10/25/2019	REVISED -

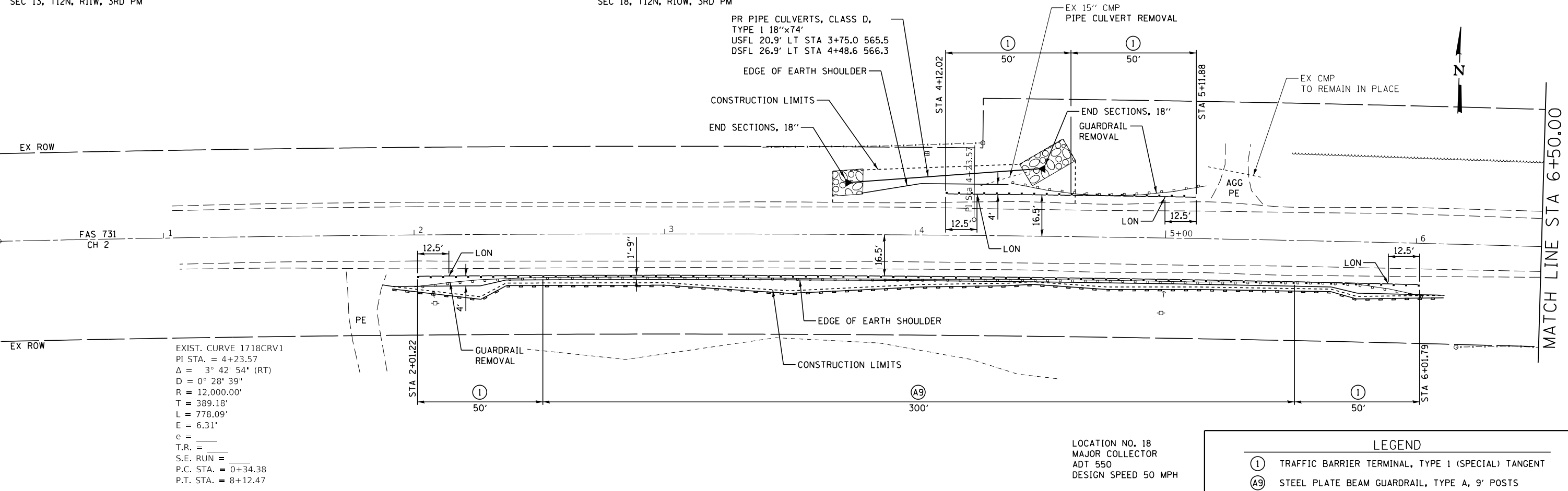
**GREENE COUNTY
 GUARDRAIL IMPROVEMENTS**

PLAN - LOCATION NO. 14

SCALE:	SHEET	OF	SHEETS	STA.	TO STA.
--------	-------	----	--------	------	---------

VARIOUS ROUTES	SECTION	COUNTY	TOTAL SHEETS	SHEET NO.
	17-00097-00-GR	GREENE	30	17
CONTRACT NO. 97728				
		ILLINOIS	FED. AID PROJECT	

PR PIPE CULVERTS, CLASS D,
TYPE 1 18"x74"
USFL 20.9' LT STA 3+75.0 565.5
DSFL 26.9' LT STA 4+48.6 566.3



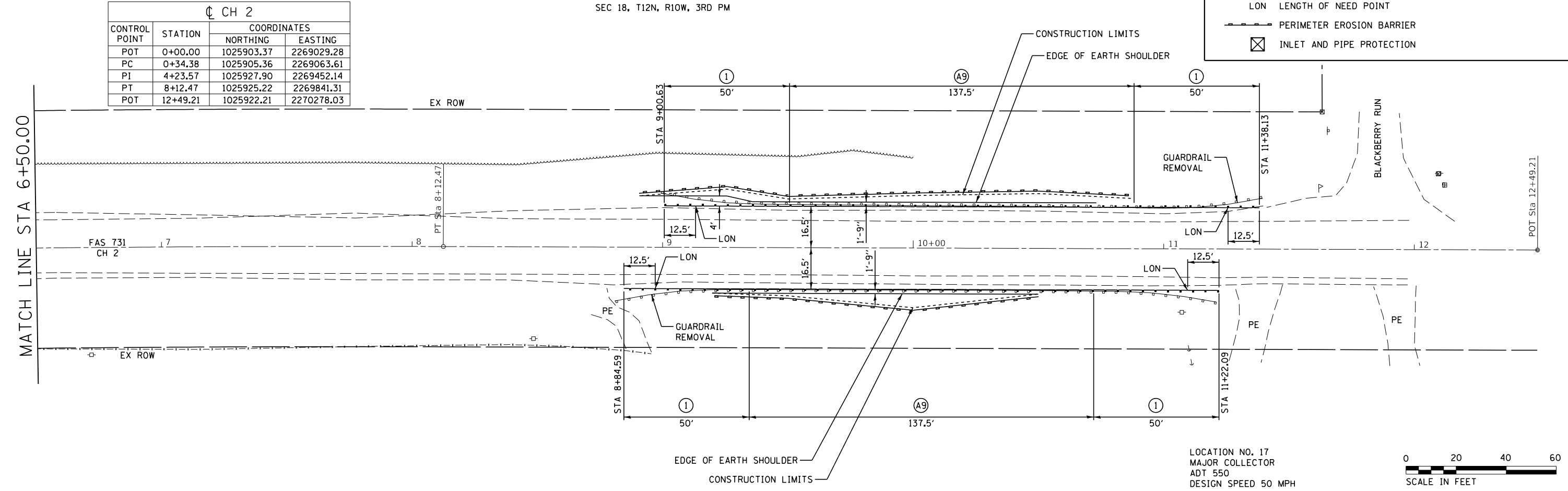
EXIST. CURVE 1718CRV1
PI STA. = 4+23.57
 $\Delta = 3^\circ 42' 54''$ (RT)
 $D = 0^\circ 28' 39''$
 $R = 12,000.00'$
 $T = 389.18'$
 $L = 778.09'$
 $E = 6.31'$
 $e =$
 $T.R. =$
S.E. RUN =
P.C. STA. = 0+34.38
P.T. STA. = 8+12.47

LOCATION NO. 18
MAJOR COLLECTOR
ADT 550
DESIGN SPEED 50 MPH

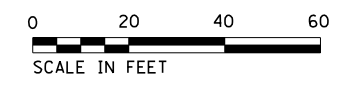
LEGEND

- ① TRAFFIC BARRIER TERMINAL, TYPE 1 (SPECIAL) TANGENT
- Ⓐ9 STEEL PLATE BEAM GUARDRAIL, TYPE A, 9' POSTS
- LON LENGTH OF NEED POINT
- PERIMETER EROSION BARRIER
- ⊠ INLET AND PIPE PROTECTION

CH 2			
CONTROL POINT	STATION	COORDINATES	
		NORTHING	EASTING
POT	0+00.00	1025903.37	2269029.28
PC	0+34.38	1025905.36	2269063.61
PI	4+23.57	1025927.90	2269452.14
PT	8+12.47	1025925.22	2269841.31
POT	12+49.21	1025922.21	2270278.03



LOCATION NO. 17
MAJOR COLLECTOR
ADT 550
DESIGN SPEED 50 MPH



MODEL: Default
FILE NAME: 2527_1-shh-pln_17-18.dgn

CEC Cummins Engineering Corporation <small>Civil and Structural Engineering</small>	JOB = 2527.1	DESIGNED - NAK	REVISED -
	FILE NAME = 2527_1-shh-pln_17-18.dgn	DRAWN - SJS	REVISED -
	PLOT SCALE = 40,000' / 1in.	CHECKED - CGF	REVISED -
	PLOT DATE = 2/13/2020	DATE - 10/25/2019	REVISED -

**GREENE COUNTY
GUARDRAIL IMPROVEMENTS**

PLAN - LOCATIONS NO. 17 & 18

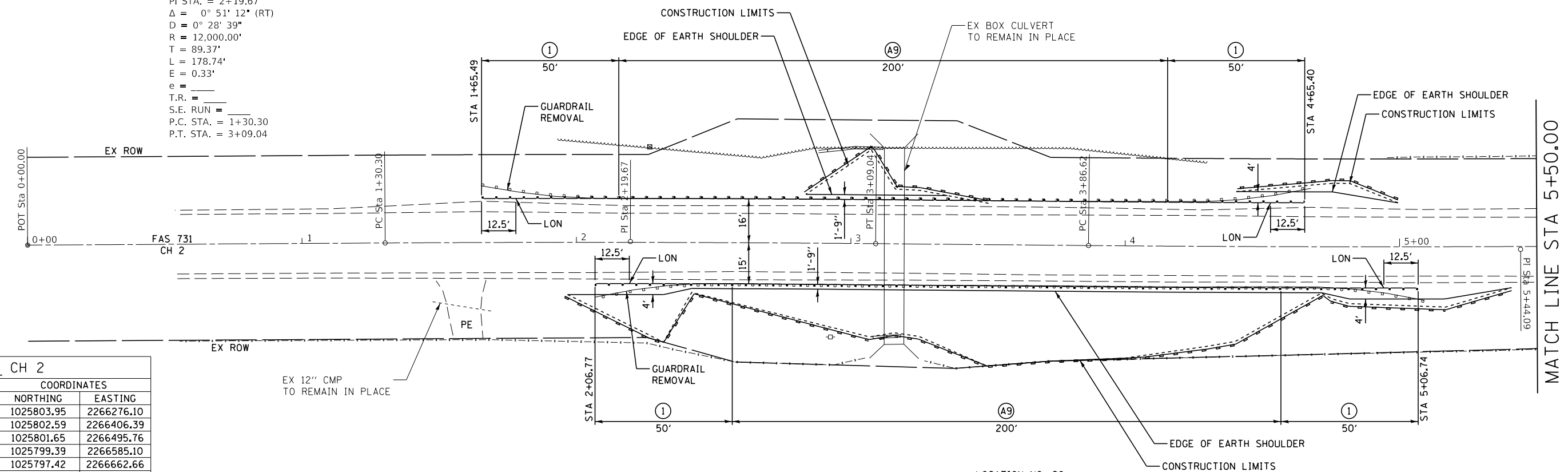
SCALE: SHEET OF SHEETS STA. TO STA.

VARIOUS ROUTES	SECTION	COUNTY	TOTAL SHEETS	SHEET NO.
	17-00097-00-GR	GREENE	30	18
CONTRACT NO. 97728				
ILLINOIS		FED. AID PROJECT		



EXIST. CURVE 1920CRV1
 PI STA. = 2+19.67
 $\Delta = 0^\circ 51' 12''$ (RT)
 $D = 0^\circ 28' 39''$
 $R = 12,000.00'$
 $T = 89.37'$
 $L = 178.74'$
 $E = 0.33'$
 $e =$
 T.R. =
 S.E. RUN =
 P.C. STA. = 1+30.30
 P.T. STA. = 3+09.04

SEC 12, T12N, R11W, 3RD PM



CH 2

CONTROL POINT	STATION	COORDINATES	
		NORTHING	EASTING
POT	0+00.00	1025803.95	2266276.10
PC	1+30.30	1025802.59	2266406.39
PI	2+19.67	1025801.65	2266495.76
PT	3+09.04	1025799.39	2266585.10
PC	3+86.62	1025797.42	2266662.66
PI	5+44.09	1025793.43	2266820.07
PT	7+01.54	1025793.58	2266977.54
POT	10+00.00	1025793.84	2267276.00

LOCATION NO. 20
 MAJOR COLLECTOR
 ADT 550
 DESIGN SPEED 50 MPH

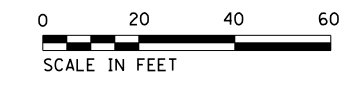
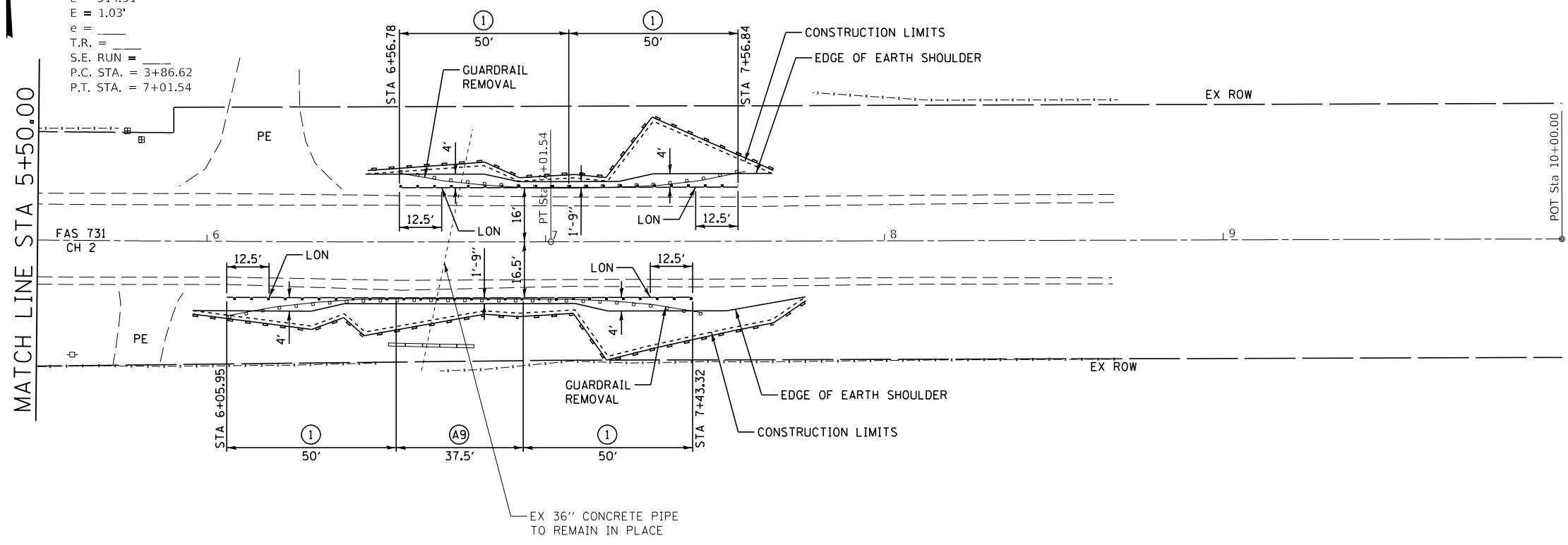
LEGEND

- (1) TRAFFIC BARRIER TERMINAL, TYPE 1 (SPECIAL) TANGENT
- (A9) STEEL PLATE BEAM GUARDRAIL, TYPE A 9' POSTS
- LON LENGTH OF NEED POINT
- PERIMETER EROSION BARRIER



EXIST. CURVE 1920CRV2
 PI STA. = 5+44.09
 $\Delta = 1^\circ 30' 13''$ (LT)
 $D = 0^\circ 28' 39''$
 $R = 12,000.00'$
 $T = 157.47'$
 $L = 314.91'$
 $E = 1.03'$
 $e =$
 T.R. =
 S.E. RUN =
 P.C. STA. = 3+86.62
 P.T. STA. = 7+01.54

SEC 12, T12N, R11W, 3RD PM



LOCATION NO. 19
 MAJOR COLLECTOR
 ADT 550
 DESIGN SPEED 50 MPH

MODEL: Default
 FILE NAME: 2527.1-shh-plain_19-20.dgn



JOB = 2527.1
 FILE NAME = 2527.1-shh-plain_19-20.dgn
 PLOT SCALE = 40,000.00 / 1 in.
 PLOT DATE = 2/13/2020

DESIGNED - NAK
 DRAWN - SJS
 CHECKED - CGF
 DATE - 10/25/2019

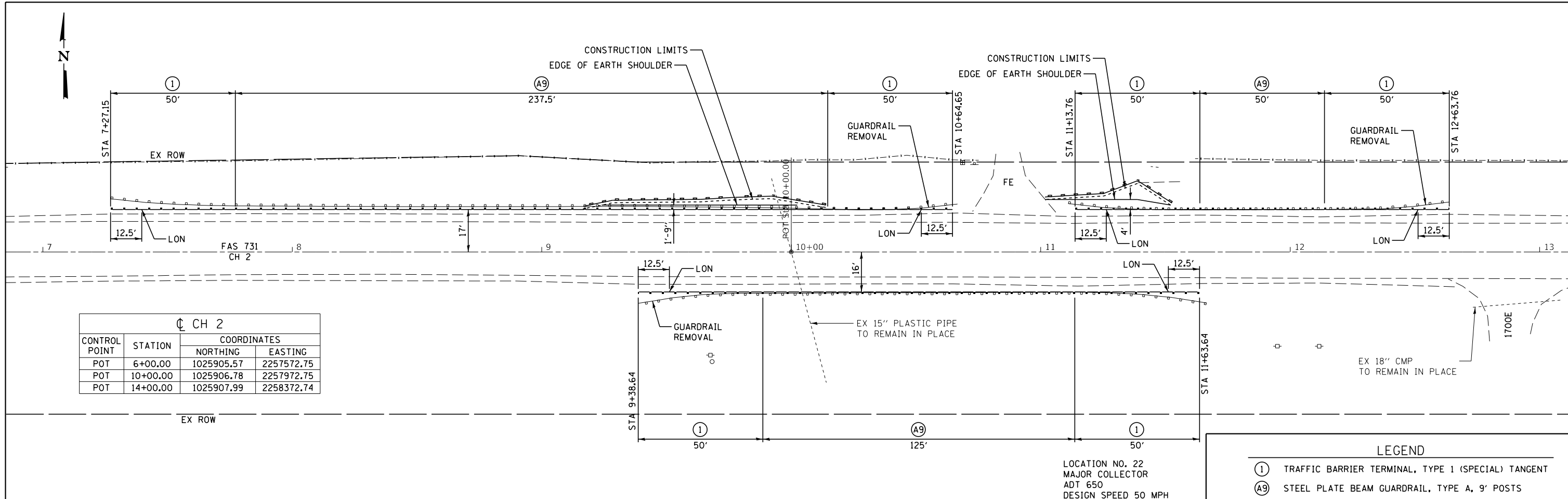
REVISED -
 REVISED -
 REVISED -
 REVISED -

**GREENE COUNTY
 GUARDRAIL IMPROVEMENTS**

PLAN - LOCATIONS NO. 19 & 20

SCALE: SHEET OF SHEETS STA. TO STA.

VARIOUS ROUTES	SECTION	COUNTY	TOTAL SHEETS	SHEET NO.
			17-00097-00-GR	GREENE
CONTRACT NO. 97728				
		ILLINOIS	FED. AID PROJECT	

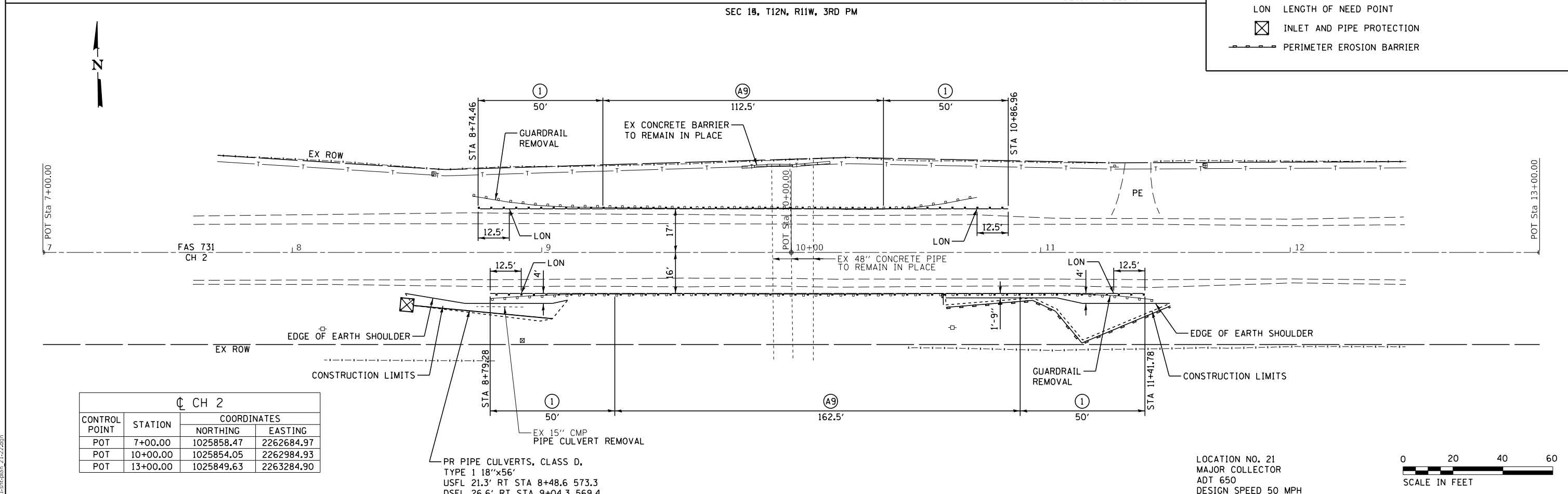


SEC 18, T12N, R11W, 3RD PM

LOCATION NO. 22
MAJOR COLLECTOR
ADT 650
DESIGN SPEED 50 MPH

LEGEND

- ① TRAFFIC BARRIER TERMINAL, TYPE 1 (SPECIAL) TANGENT
- Ⓐ9 STEEL PLATE BEAM GUARDRAIL, TYPE A, 9' POSTS
- LON LENGTH OF NEED POINT
- ☒ INLET AND PIPE PROTECTION
- PERIMETER EROSION BARRIER



LOCATION NO. 21
MAJOR COLLECTOR
ADT 650
DESIGN SPEED 50 MPH



MODEL: Default
FILE NAME: 2527.1-shh-plan_21-22.dgn



JOB = 2527.1
FILE NAME = 2527.1-shh-plan_21-22.dgn
PLOT SCALE = 40,000.00 / 1 in.
PLOT DATE = 2/13/2020

DESIGNED - NAK
DRAWN - SJS
CHECKED - CGF
DATE - 10/25/2019

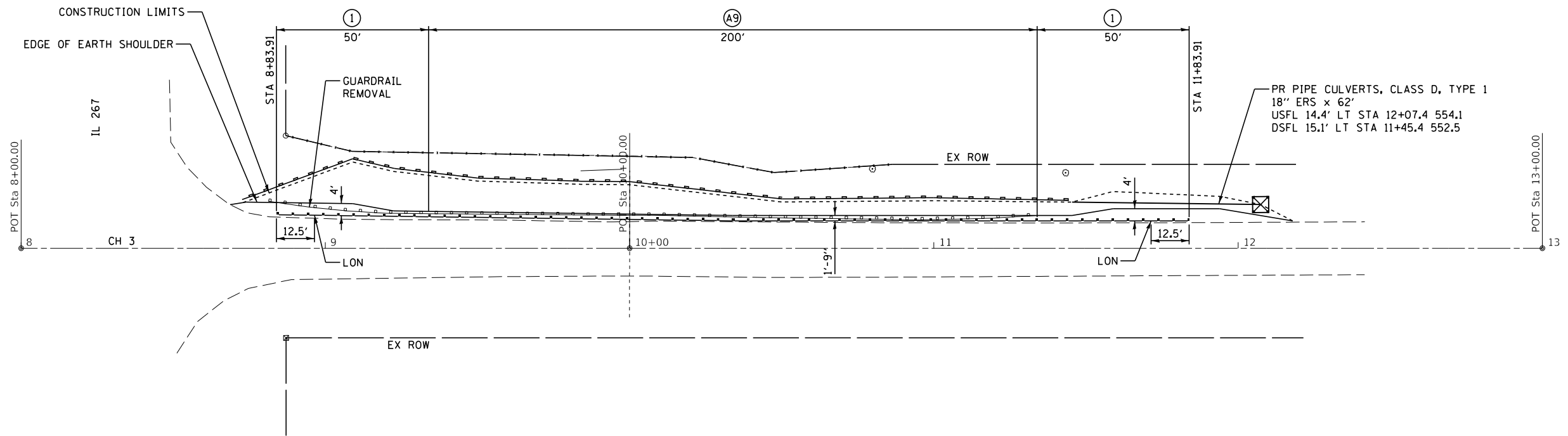
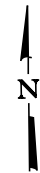
REVISED -
REVISED -
REVISED -
REVISED -

**GREENE COUNTY
GUARDRAIL IMPROVEMENTS**

PLAN - LOCATIONS NO. 21 & 22

SCALE: SHEET OF SHEETS STA. TO STA.

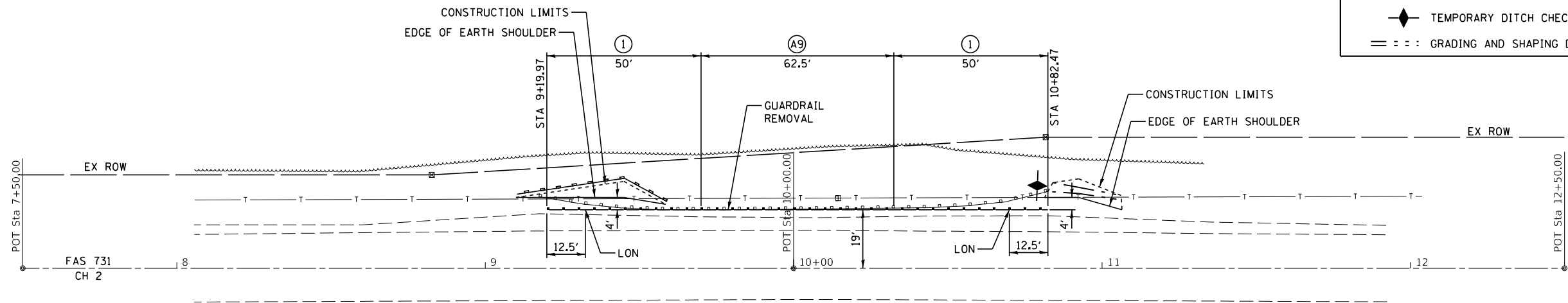
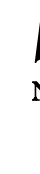
VARIOUS ROUTES	SECTION	COUNTY	TOTAL SHEETS	SHEET NO.
			17-00097-00-GR	GREENE
CONTRACT NO. 97728				
		ILLINOIS	FED. AID PROJECT	



CH 3			
CONTROL POINT	STATION	COORDINATES	
		NORTHING	EASTING
POT	8+00.00	1016686.63	2284778.42
POT	10+00.00	1016684.04	2284978.41
POT	13+00.00	1016680.16	2285278.38

LOCATION NO. 25
MINOR COLLECTOR
ADT 125
DESIGN SPEED 40 MPH

LEGEND	
(1)	TRAFFIC BARRIER TERMINAL, TYPE 1 (SPECIAL) TANGENT
(A9)	STEEL PLATE BEAM GUARDRAIL, TYPE A, 9' POSTS
LON	LENGTH OF NEED POINT
⊠	INLET AND PIPE PROTECTION
---	PERIMETER EROSION BARRIER
◆	TEMPORARY DITCH CHECKS
==	GRADING AND SHAPING DITCHES



CH 2			
CONTROL POINT	STATION	COORDINATES	
		NORTHING	EASTING
POT	7+50.00	1025892.46	2255554.59
POT	10+00.00	1025891.69	2255804.59
POT	12+50.00	1025890.93	2256054.59

LOCATION NO. 24
MAJOR COLLECTOR
ADT 650
DESIGN SPEED 50 MPH



MODEL: D:\cadd\25271\shp\plan_24-25.dgn



JOB = 2527.1
FILE NAME = 2527.1-shp\plan_24-25.dgn
PLOT SCALE = 40,0000' / 1in.
PLOT DATE = 2/13/2020

DESIGNED - NAK
DRAWN - SJS
CHECKED - CGF
DATE - 10/25/2019

REVISED -
REVISED -
REVISED -
REVISED -

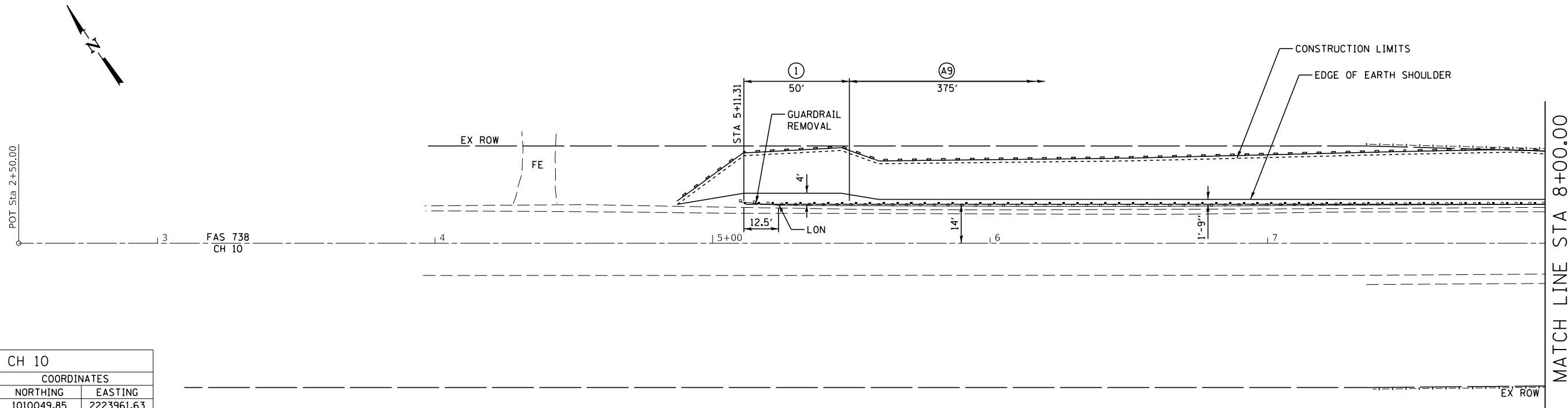
**GREENE COUNTY
GUARDRAIL IMPROVEMENTS**

PLAN - LOCATIONS NO. 24 & 25

SCALE: SHEET OF SHEETS STA. TO STA.

VARIOUS ROUTES	SECTION	COUNTY	TOTAL SHEETS	SHEET NO.
	17-00097-00-GR	GREENE	30	21
CONTRACT NO. 97728				

ILLINOIS FED. AID PROJECT



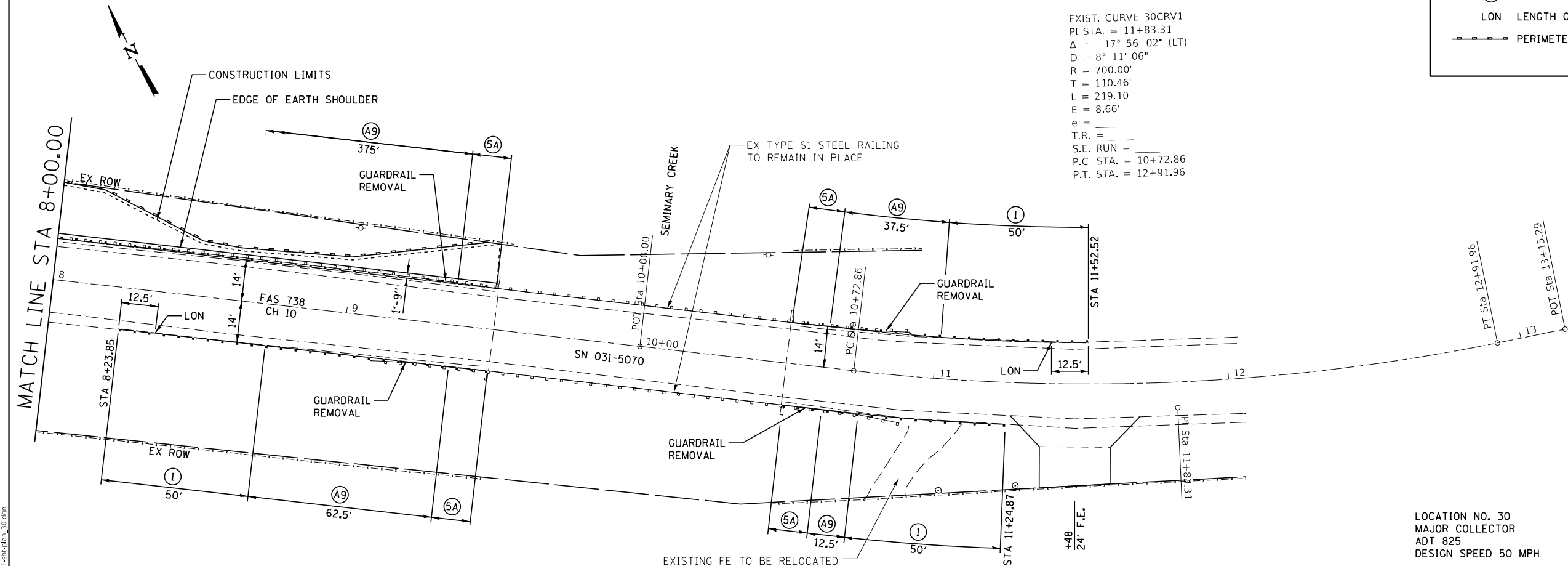
CH 10

CONTROL POINT	STATION	COORDINATES	
		NORTHING	EASTING
POT	2+50.00	1010049.85	2223961.63
POT	10+00.00	1009636.00	2224587.12
PC	10+72.86	1009595.80	2224647.88
PI	11+83.31	1009534.85	2224740.00
PT	12+91.96	1009505.23	2224846.40
POT	13+15.29	1009498.97	2224868.88

LEGEND

- ① TRAFFIC BARRIER TERMINAL, TYPE 1 (SPECIAL) TANGENT
- ⑤A TRAFFIC BARRIER TERMINAL, TYPE 5A
- ⑨A STEEL PLATE BEAM GUARDRAIL, TYPE A, 9' POSTS
- LON LENGTH OF NEED POINT
- PERIMETER EROSION BARRIER

EXIST. CURVE 30CRV1
 PI STA. = 11+83.31
 $\Delta = 17^\circ 56' 02''$ (LT)
 $D = 8^\circ 11' 06''$
 $R = 700.00'$
 $T = 110.46'$
 $L = 219.10'$
 $E = 8.66'$
 $e =$
 $T.R. =$
 $S.E. RUN =$
 $P.C. STA. = 10+72.86$
 $P.T. STA. = 12+91.96$



LOCATION NO. 30
 MAJOR COLLECTOR
 ADT 825
 DESIGN SPEED 50 MPH



MODEL Default
 FILE Name: 2527_1-shh-plan_30.dgn

CEC Cummins
 Engineering
 Corporation
 Civil and Structural Engineering

JOB = 2527.1
 FILE NAME = 2527_1-shh-plan_30.dgn
 PLOT SCALE = 40,0000' / 1in.
 PLOT DATE = 2/13/2020

DESIGNED - NAK
 DRAWN - SJS
 CHECKED - CGF
 DATE - 10/25/2019

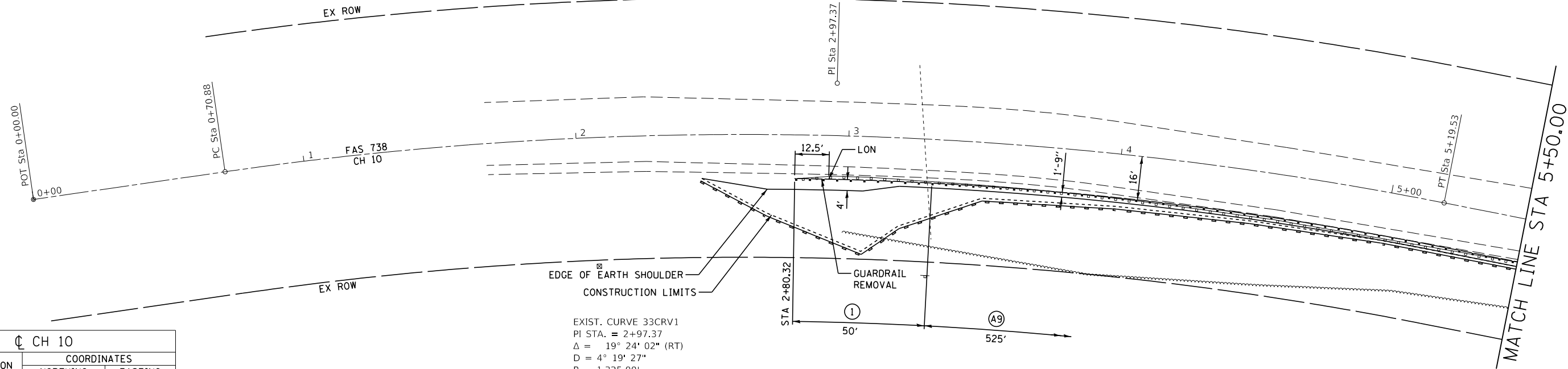
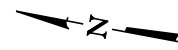
REVISED -
 REVISED -
 REVISED -
 REVISED -

**GREENE COUNTY
 GUARDRAIL IMPROVEMENTS**

PLAN - LOCATION NO. 30

SCALE: SHEET OF SHEETS STA. TO STA.

VARIOUS ROUTES	SECTION	COUNTY	TOTAL SHEETS	SHEET NO.
			17-00097-00-GR	GREENE
CONTRACT NO. 97728				
		ILLINOIS	FED. AID PROJECT	

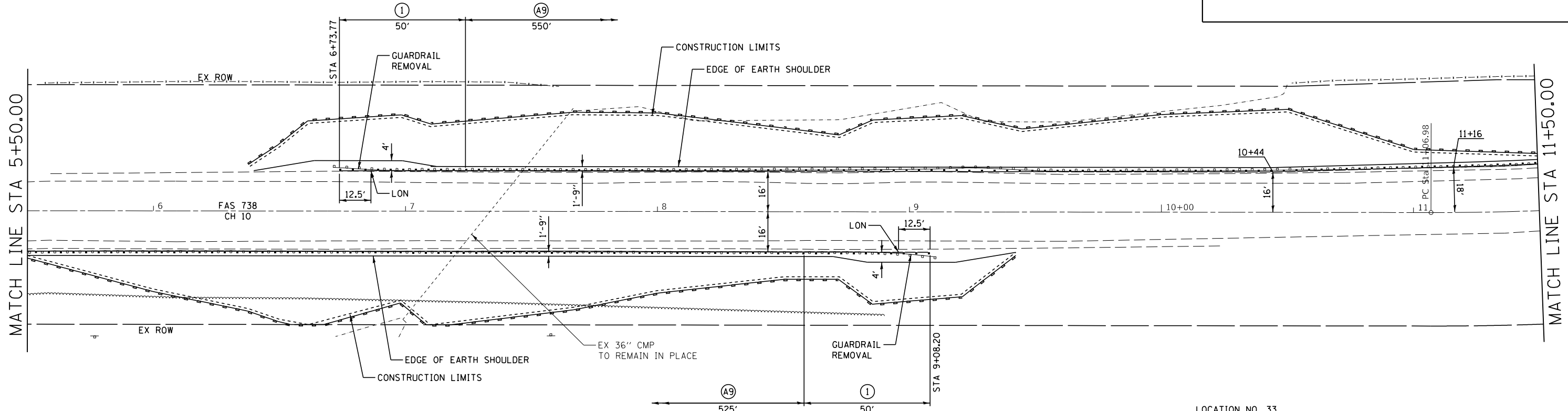
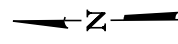


CH 10			
CONTROL POINT	STATION	COORDINATES	
		NORTHING	EASTING
POT	0+00.00	1012756.65	2203146.52
PC	0+70.88	1012689.59	2203169.48
PI	2+97.37	1012475.31	2203242.83
PT	5+19.53	1012248.82	2203240.85
PC	11+06.98	1011661.39	2203235.69
PI	22+24.16	1010544.25	2203225.88
PT	28+82.80	1010497.27	2204342.07
POT	31+59.51	1010485.64	2204618.54

EXIST. CURVE 33CRV1
 PI STA. = 2+97.37
 $\Delta = 19^\circ 24' 02''$ (RT)
 $D = 4^\circ 19' 27''$
 $R = 1,325.00'$
 $T = 226.49'$
 $L = 448.65'$
 $E = 19.22'$
 $e = \text{---}$
 $T.R. = \text{---}$
 $S.E. RUN = \text{---}$
 P.C. STA. = 0+70.88
 P.T. STA. = 5+19.53

LEGEND

- ① TRAFFIC BARRIER TERMINAL, TYPE 1 (SPECIAL) TANGENT
- Ⓐ9 STEEL PLATE BEAM GUARDRAIL, TYPE A, 9' POSTS
- LON LENGTH OF NEED POINT
- PERIMETER EROSION BARRIER



LOCATION NO. 33
 MAJOR COLLECTOR
 ADT 475
 DESIGN SPEED 50 MPH



MODEL: Defaul
 FILE NAME: 2527_1-ehlp1n_31-32-33.dgn

CEC Cummins
 Engineering
 Corporation
 Civil and Structural Engineering

JOB = 2527.1
 FILE NAME = 2527_1-ehlp1n_31-32-33.dgn
 PLOT SCALE = 40,0000 / 1 in.
 PLOT DATE = 2/13/2020

DESIGNED - NAK
 DRAWN - SJS
 CHECKED - CGF
 DATE - 10/25/2019

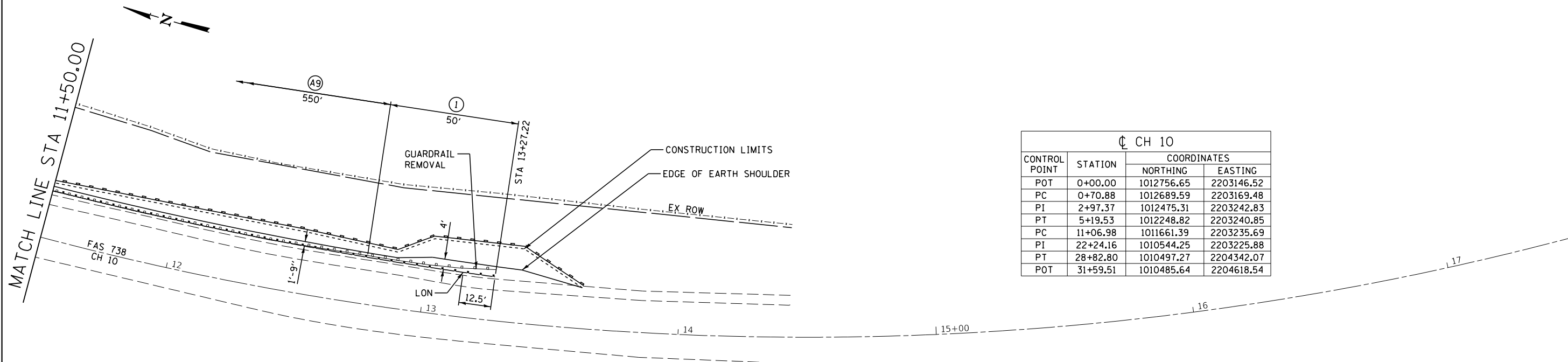
REVISED -
 REVISED -
 REVISED -
 REVISED -

**GREENE COUNTY
 GUARDRAIL IMPROVEMENTS**

PLAN - LOCATION NO. 33

SCALE: SHEET OF SHEETS STA. TO STA.

VARIOUS ROUTES	SECTION	COUNTY	TOTAL SHEETS	SHEET NO.
			17-00097-00-GR	GREENE
			CONTRACT NO. 97728	
		ILLINOIS	FED. AID PROJECT	



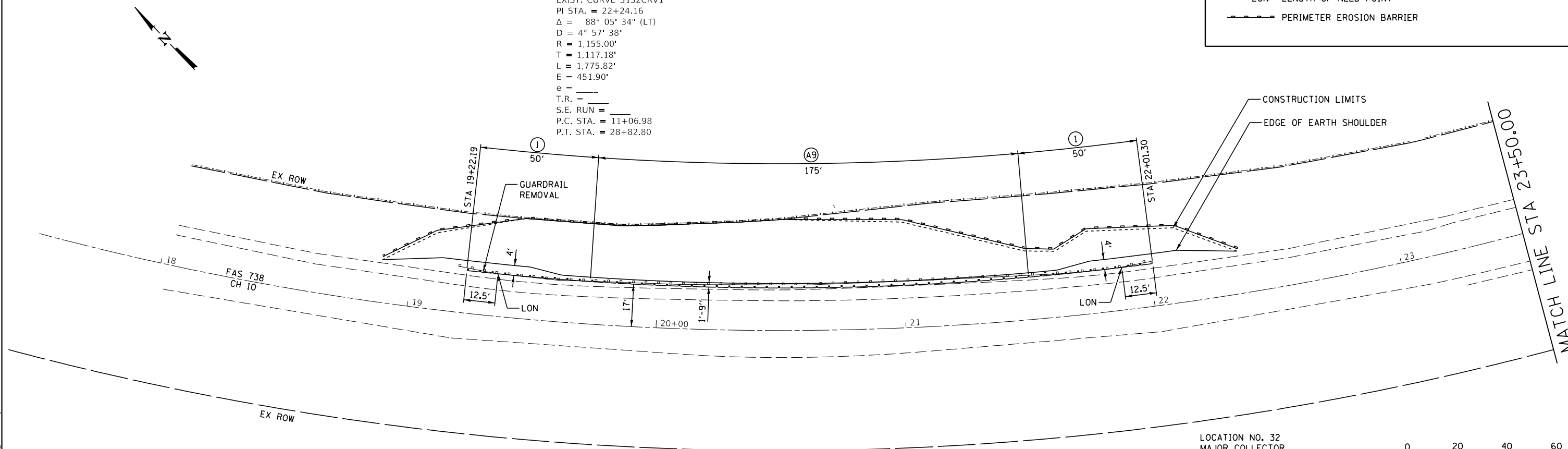
CH 10			
CONTROL POINT	STATION	COORDINATES	
		NORTHING	EASTING
POT	0+00.00	1012756.65	2203146.52
PC	0+70.88	1012689.59	2203169.48
PI	2+97.37	1012475.31	2203242.83
PT	5+19.53	1012248.82	2203240.85
PC	11+06.98	1011661.39	2203235.69
PI	22+24.16	1010544.25	2203225.88
PT	28+82.80	1010497.27	2204342.07
POT	31+59.51	1010485.64	2204618.54

LOCATION NO. 33
 MAJOR COLLECTOR
 ADT 475
 DESIGN SPEED 50 MPH

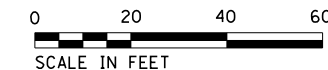
LEGEND

- ① TRAFFIC BARRIER TERMINAL, TYPE 1 (SPECIAL) TANGENT
- Ⓐ STEEL PLATE BEAM GUARDRAIL, TYPE A, 9' POSTS
- LON LENGTH OF NEED POINT
- PERIMETER EROSION BARRIER

EXIST. CURVE 3132CRV1
 PI STA. = 22+24.16
 $\Delta = 88^\circ 05' 34''$ (LT)
 $D = 4^\circ 57' 38''$
 $R = 1,155.00'$
 $T = 1,117.18'$
 $L = 1,775.82'$
 $E = 451.90'$
 $e =$
 $T.R. =$
 $S.E. RUN =$
 P.C. STA. = 11+06.98
 P.T. STA. = 28+82.80



LOCATION NO. 32
 MAJOR COLLECTOR
 ADT 475
 DESIGN SPEED 50 MPH



MODEL: Default
 FILE NAME: 2527_1-ehp-plan_31-32-33.dgn

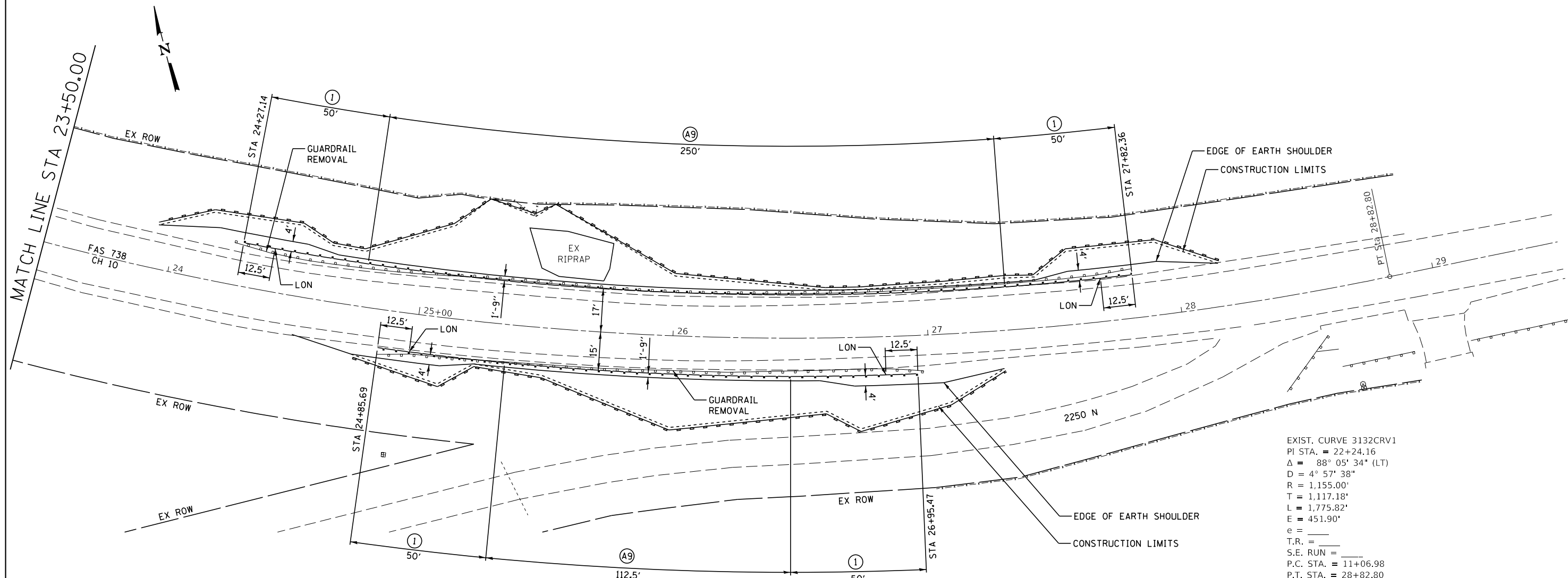
CEC Cummins Engineering Corporation <small>Civil and Structural Engineering</small>	JOB = 2527.1	DESIGNED - NAK	REVISED -
	FILE NAME = 2527_1-ehp-plan_31-32-33.dgn	DRAWN - SJS	REVISED -
	PLOT SCALE = 40,0000 / 1in.	CHECKED - CGF	REVISED -
	PLOT DATE = 2/13/2020	DATE - 10/25/2019	REVISED -

**GREENE COUNTY
 GUARDRAIL IMPROVEMENTS**

PLAN - LOCATIONS NO. 32 & 33

SCALE: SHEET OF SHEETS STA. TO STA.

VARIOUS ROUTES	SECTION	COUNTY	TOTAL SHEETS	SHEET NO.
		17-00097-00-GR	GREENE	30
CONTRACT NO. 97728				
		ILLINOIS	FED. AID PROJECT	



EXIST. CURVE 3132CRV1
 PI STA. = 22+24.16
 $\Delta = 88^\circ 05' 34''$ (LT)
 $D = 4^\circ 57' 38''$
 $R = 1,155.00'$
 $T = 1,117.18'$
 $L = 1,775.82'$
 $E = 451.90'$
 $e =$
 $T.R. =$
 $S.E. RUN =$
 $P.C. STA. = 11+06.98$
 $P.T. STA. = 28+82.80$

CH 10			
CONTROL POINT	STATION	COORDINATES	
		NORTHING	EASTING
POT	0+00.00	1012756.65	2203146.52
PC	0+70.88	1012689.59	2203169.48
PI	2+97.37	1012475.31	2203242.83
PT	5+19.53	1012248.82	2203240.85
PC	11+06.98	1011661.39	2203235.69
PI	22+24.16	1010544.25	2203225.88
PT	28+82.80	1010497.27	2204342.07
POT	31+59.51	1010485.64	2204618.54

- LEGEND**
- ① TRAFFIC BARRIER TERMINAL, TYPE 1 (SPECIAL) TANGENT
 - Ⓐ STEEL PLATE BEAM GUARDRAIL, TYPE A, 9' POSTS
 - LON LENGTH OF NEED POINT
 - PERIMETER EROSION BARRIER

LOCATION NO. 31
 MAJOR COLLECTOR
 ADT 475
 DESIGN SPEED 50 MPH



MODEL: Default
 FILE NAME: 2527_1-shh-pln_31-32-33.dgn



JOB = 2527.1
 FILE NAME = 2527_1-shh-pln_31-32-33.dgn
 PLOT SCALE = 40,000' / in.
 PLOT DATE = 2/13/2020

DESIGNED - NAK
 DRAWN - SJS
 CHECKED - CGF
 DATE - 10/25/2019

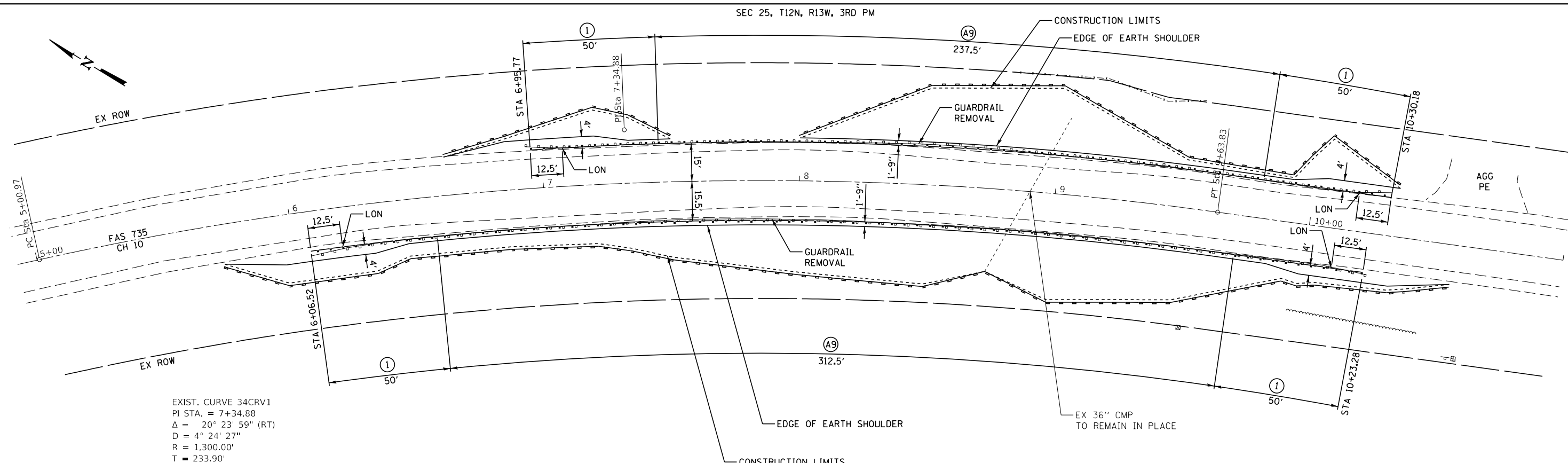
REVISED -
 REVISED -
 REVISED -
 REVISED -

**GREENE COUNTY
 GUARDRAIL IMPROVEMENTS**

PLAN - LOCATION NO. 31

SCALE: SHEET OF SHEETS STA. TO STA.

VARIOUS ROUTES	SECTION	COUNTY	TOTAL SHEETS	SHEET NO.
	17-00097-00-GR	GREENE	30	25
CONTRACT NO. 97728				
		ILLINOIS	FED. AID PROJECT	

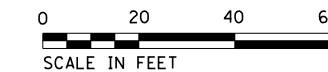


EXIST. CURVE 34CRV1
 PI STA. = 7+34.88
 $\Delta = 20^\circ 23' 59''$ (RT)
 $D = 4^\circ 24' 27''$
 $R = 1,300.00'$
 $T = 233.90'$
 $L = 462.85'$
 $E = 20.87'$
 $e =$
 $T.R. =$
 $S.E. RUN =$
 $P.C. STA. = 5+00.97$
 $P.T. STA. = 9+63.83$

CH 10			
CONTROL POINT	STATION	COORDINATES	
		NORTHING	EASTING
POT	4+50.00	1013534.53	2202716.00
PC	5+00.97	1013497.91	2202751.46
PI	7+34.88	1013329.87	2202914.16
PT	9+63.83	1013115.65	2203008.08
POT	11+75.51	1012921.78	2203093.08

- LEGEND**
- ① TRAFFIC BARRIER TERMINAL, TYPE 1 (SPECIAL) TANGENT
 - Ⓐ STEEL PLATE BEAM GUARDRAIL, TYPE A, 9' POSTS
 - LON LENGTH OF NEED POINT
 - PERIMETER EROSION BARRIER

LOCATION NO. 34
 MAJOR COLLECTOR
 ADT 475
 DESIGN SPEED 50 MPH



MODEL: D:\cadd\25271\shh\plan_34.dgn
 FILE NAME: 25271-shh-plan_34.dgn



JOB = 2527.1
 FILE NAME = 25271-shh-plan_34.dgn
 PLOT SCALE = 40,0000"/in.
 PLOT DATE = 2/13/2020

DESIGNED - NAK
 DRAWN - SJS
 CHECKED - CGF
 DATE - 10/25/2019

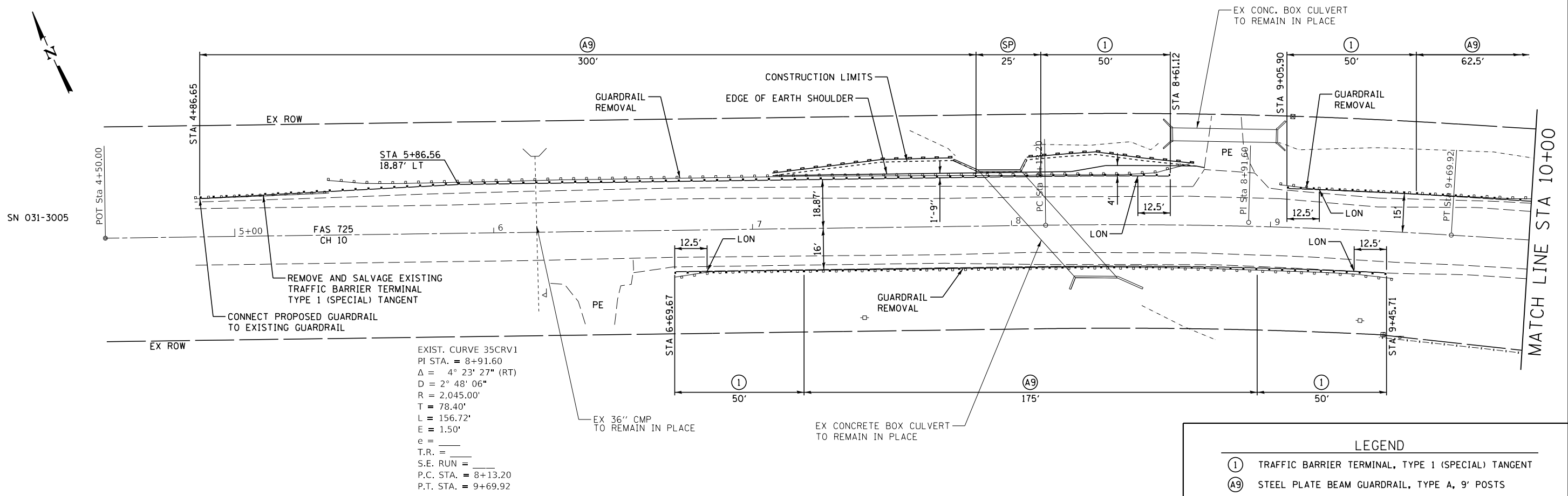
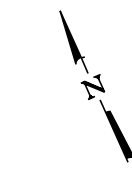
REVISED -
 REVISED -
 REVISED -
 REVISED -

**GREENE COUNTY
 GUARDRAIL IMPROVEMENTS**

PLAN - LOCATION NO. 34

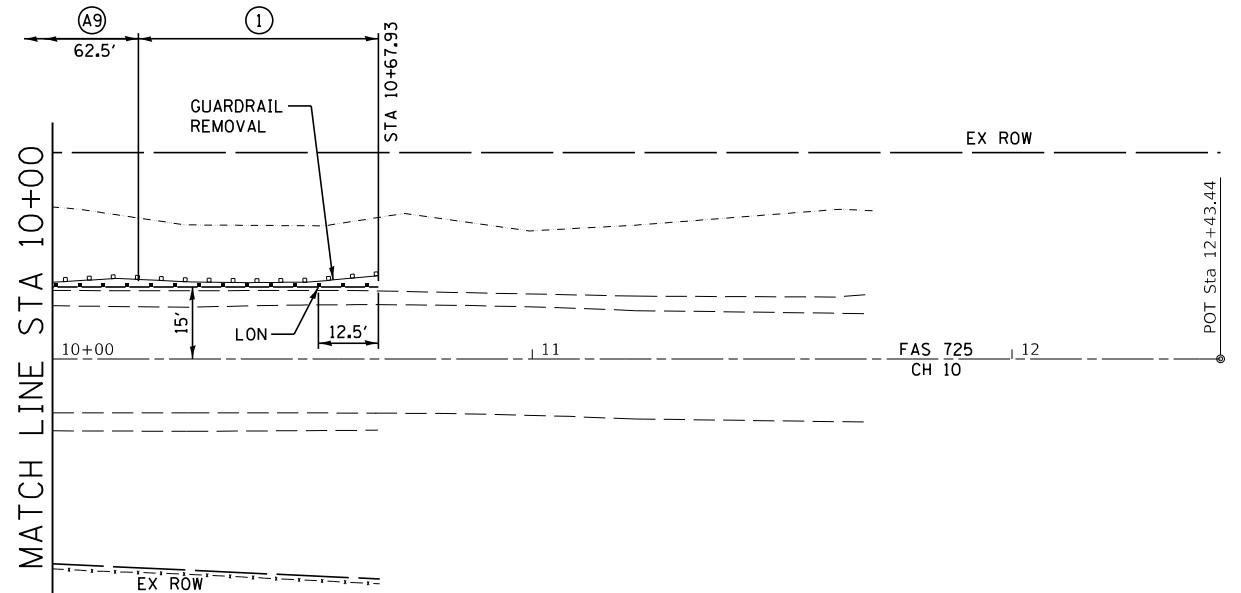
SCALE: SHEET OF SHEETS STA. TO STA.

VARIOUS ROUTES	SECTION	COUNTY	TOTAL SHEETS	SHEET NO.
			17-00097-00-GR	GREENE
			CONTRACT NO. 97728	
		ILLINOIS	FED. AID PROJECT	



LEGEND

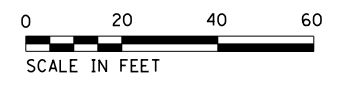
- ① TRAFFIC BARRIER TERMINAL, TYPE 1 (SPECIAL) TANGENT
- Ⓐ STEEL PLATE BEAM GUARDRAIL, TYPE A, 9' POSTS
- Ⓢ STRONG POST GUARDRAIL ATTACHED TO CULVERT
- LON LENGTH OF NEED POINT
- PERIMETER EROSION BARRIER



CH 10

CONTROL POINT	STATION	COORDINATES	
		NORTHING	EASTING
POT	4+50.00	1014028.90	2201789.63
PC	8+13.20	1013884.86	2202123.05
PI	8+91.60	1013853.77	2202195.01
PT	9+69.92	1013817.26	2202264.39
POT	12+43.44	1013689.87	2202506.44

LOCATION NO. 35
 MAJOR COLLECTOR
 ADT 475
 DESIGN SPEED 50 MPH



MODEL: D:\p1\25271_1\shp\plan_35.dgn
 FILE NAME: 25271_1\shp\plan_35.dgn



JOB = 2527.1
 FILE NAME = 2527.1-shp-plan_35.dgn
 PLOT SCALE = 40,0000"/in.
 PLOT DATE = 2/13/2020

DESIGNED - NAK
 DRAWN - SJS
 CHECKED - CGF
 DATE - 10/25/2019

REVISED -
 REVISED -
 REVISED -
 REVISED -

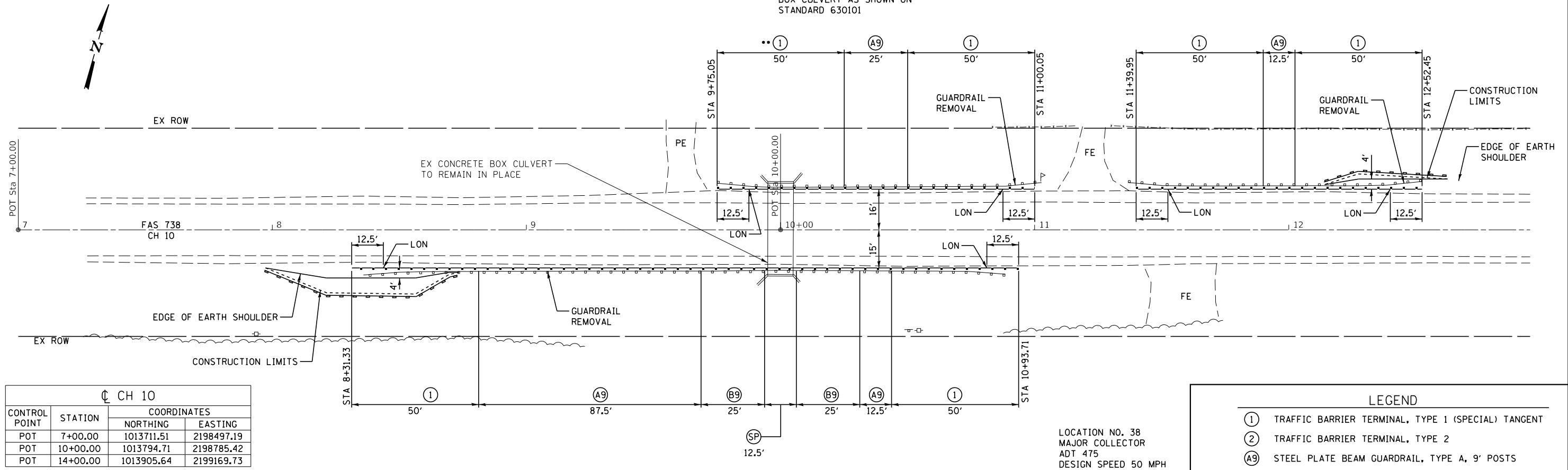
**GREENE COUNTY
 GUARDRAIL IMPROVEMENTS**

PLAN - LOCATION NO. 35

SCALE: SHEET OF SHEETS STA. TO STA.

VARIOUS ROUTES	SECTION	COUNTY	TOTAL SHEETS	SHEET NO.
			17-00097-00-GR	GREENE
CONTRACT NO. 97728				
		ILLINOIS	FED. AID PROJECT	

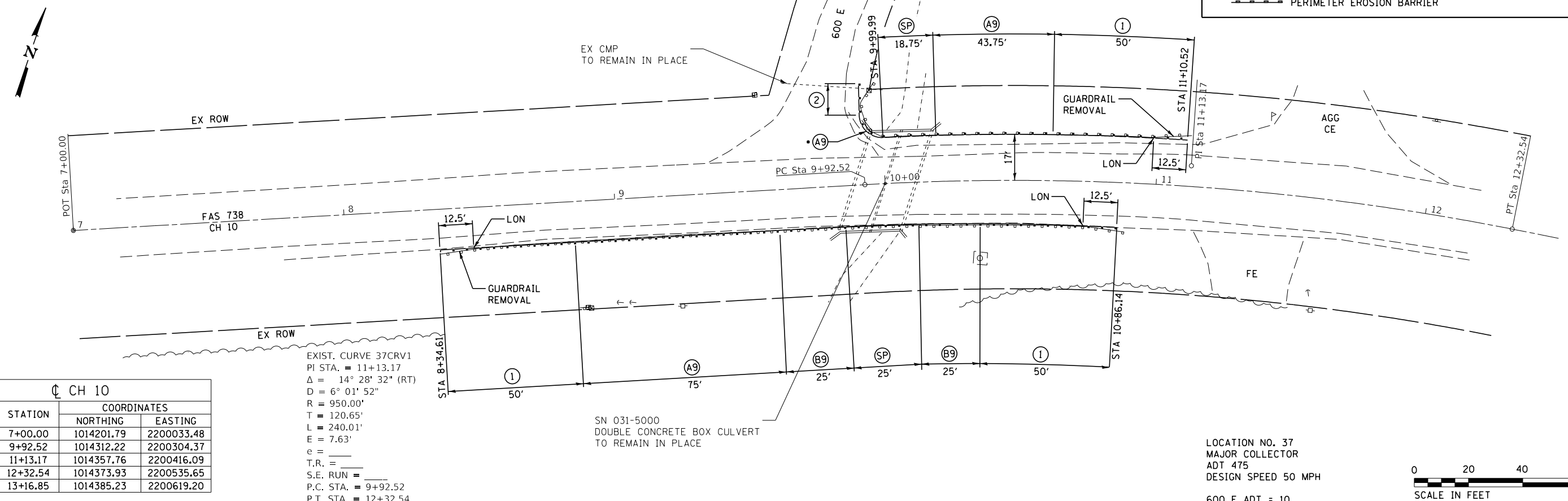
•• ATTACH 2 POSTS TO TOP OF BOX CULVERT AS SHOWN ON STANDARD 630101



CH 10			
CONTROL POINT	STATION	COORDINATES	
		NORTHING	EASTING
POT	7+00.00	1013711.51	2198497.19
POT	10+00.00	1013794.71	2198785.42
POT	14+00.00	1013905.64	2199169.73

LOCATION NO. 38
MAJOR COLLECTOR
ADT 475
DESIGN SPEED 50 MPH

LEGEND	
(1)	TRAFFIC BARRIER TERMINAL, TYPE 1 (SPECIAL) TANGENT
(2)	TRAFFIC BARRIER TERMINAL, TYPE 2
(A9)	STEEL PLATE BEAM GUARDRAIL, TYPE A, 9' POSTS
(SP)	STRONG POST GUARDRAIL ATTACHED TO CULVERT
LON	LENGTH OF NEED POINT
- - -	PERIMETER EROSION BARRIER



CH 10			
CONTROL POINT	STATION	COORDINATES	
		NORTHING	EASTING
POT	7+00.00	1014201.79	2200033.48
PC	9+92.52	1014312.22	2200304.37
PI	11+13.17	1014357.76	2200416.09
PT	12+32.54	1014373.93	2200535.65
POT	13+16.85	1014385.23	2200619.20

EXIST. CURVE 37CRV1
PI STA. = 11+13.17
 $\Delta = 14^\circ 28' 32''$ (RT)
D = 6° 01' 52"
R = 950.00'
T = 120.65'
L = 240.01'
E = 7.63'
e = _____
T.R. = _____
S.E. RUN = _____
P.C. STA. = 9+92.52
P.T. STA. = 12+32.54

SN 031-5000
DOUBLE CONCRETE BOX CULVERT
TO REMAIN IN PLACE

LOCATION NO. 37
MAJOR COLLECTOR
ADT 475
DESIGN SPEED 50 MPH

600 E ADT = 10



MODEL: D:\cadd\2527.1\shp\plan_37-38.dgn
FILE NAME: 2527.1\shp\plan_37-38.dgn



JOB = 2527.1
FILE NAME = 2527.1\shp\plan_37-38.dgn
PLOT SCALE = 40,000.00 / 1 in.
PLOT DATE = 2/13/2020

DESIGNED -	NAK	REVISED -	-
DRAWN -	SJS	REVISED -	-
CHECKED -	CGF	REVISED -	-
DATE -	10/25/2019	REVISED -	-

**GREENE COUNTY
GUARDRAIL IMPROVEMENTS**

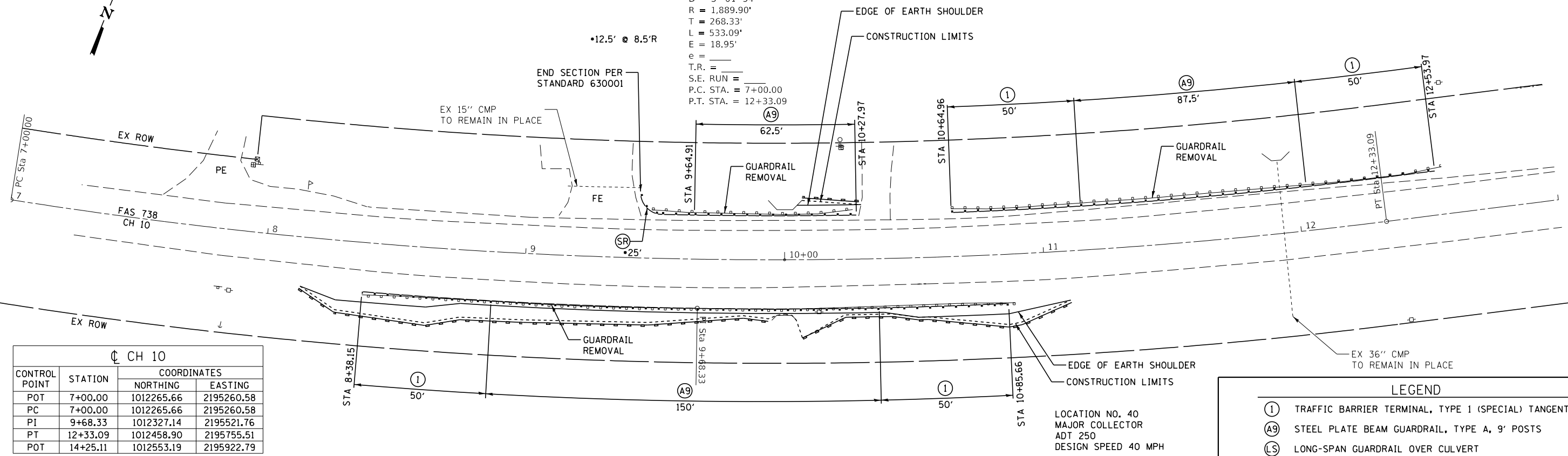
PLAN - LOCATIONS NO. 37 & 38

SCALE: SHEET OF SHEETS STA. TO STA.

VARIOUS ROUTES	SECTION	COUNTY	TOTAL SHEETS	SHEET NO.
			17-00097-00-GR	GREENE
CONTRACT NO. 97728				
		ILLINOIS	FED. AID PROJECT	



EXIST. CURVE 40CRV1
 PI STA. = 9+68.33
 $\Delta = 16^\circ 09' 42''$ (LT)
 $D = 3^\circ 01' 54''$
 $R = 1,889.90'$
 $T = 268.33'$
 $L = 533.09'$
 $E = 18.95'$
 $e = \text{---}$
 $T.R. = \text{---}$
 $S.E. \text{ RUN} = \text{---}$
 $P.C. \text{ STA.} = 7+00.00$
 $P.T. \text{ STA.} = 12+33.09$

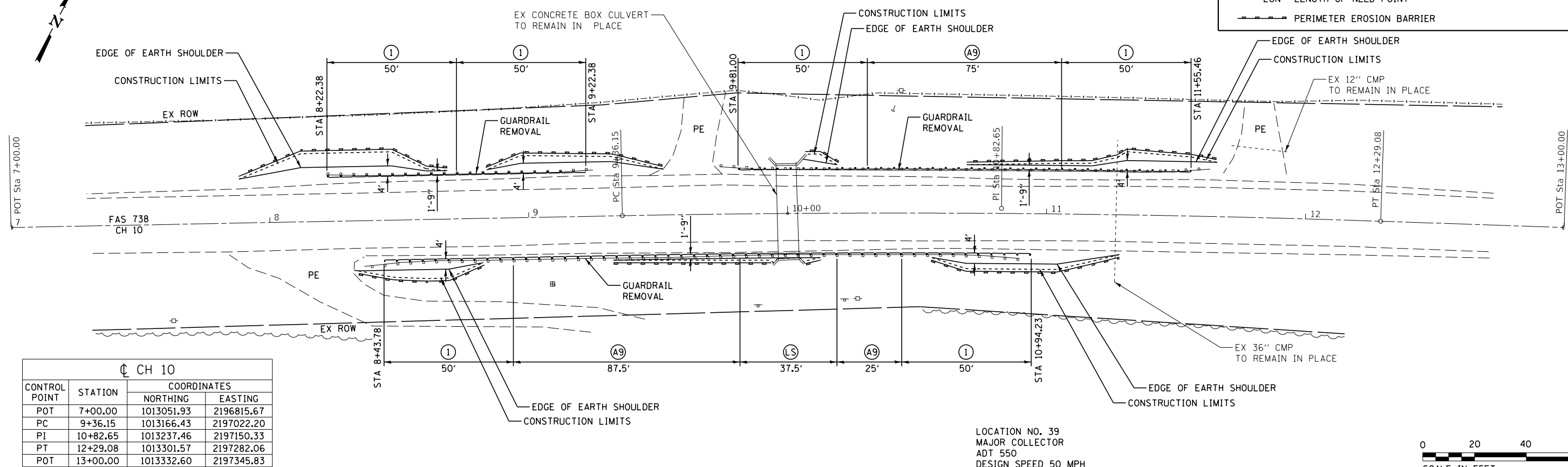


CH 10			
CONTROL POINT	STATION	NORTHING	EASTING
POT	7+00.00	1012265.66	2195260.58
PC	7+00.00	1012265.66	2195260.58
PI	9+68.33	1012327.14	2195521.76
PT	12+33.09	1012458.90	2195755.51
POT	14+25.11	1012553.19	2195922.79

LEGEND	
(1)	TRAFFIC BARRIER TERMINAL, TYPE 1 (SPECIAL) TANGENT
(A9)	STEEL PLATE BEAM GUARDRAIL, TYPE A, 9' POSTS
(LS)	LONG-SPAN GUARDRAIL OVER CULVERT
(SR)	STEEL PLATE BEAM GUARDRAIL (SHORT RADIUS)
LON	LENGTH OF NEED POINT
---	PERIMETER EROSION BARRIER

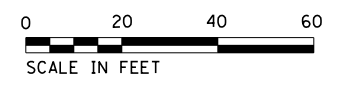
LOCATION NO. 40
 MAJOR COLLECTOR
 ADT 250
 DESIGN SPEED 40 MPH

SEC 26, T12N, R13W, 3RD PM



CH 10			
CONTROL POINT	STATION	NORTHING	EASTING
POT	7+00.00	1013051.93	2196815.67
PC	9+36.15	1013166.43	2197022.20
PI	10+82.65	1013237.46	2197150.33
PT	12+29.08	1013301.57	2197282.06
POT	13+00.00	1013332.60	2197345.83

LOCATION NO. 39
 MAJOR COLLECTOR
 ADT 550
 DESIGN SPEED 50 MPH



MODEL: Default
 FILE NAME: 2527.1-shh-plan_39-40.dgn



JOB = 2527.1
 FILE NAME = 2527.1-shh-plan_39-40.dgn
 PLOT SCALE = 40,000' / in.
 PLOT DATE = 2/13/2020

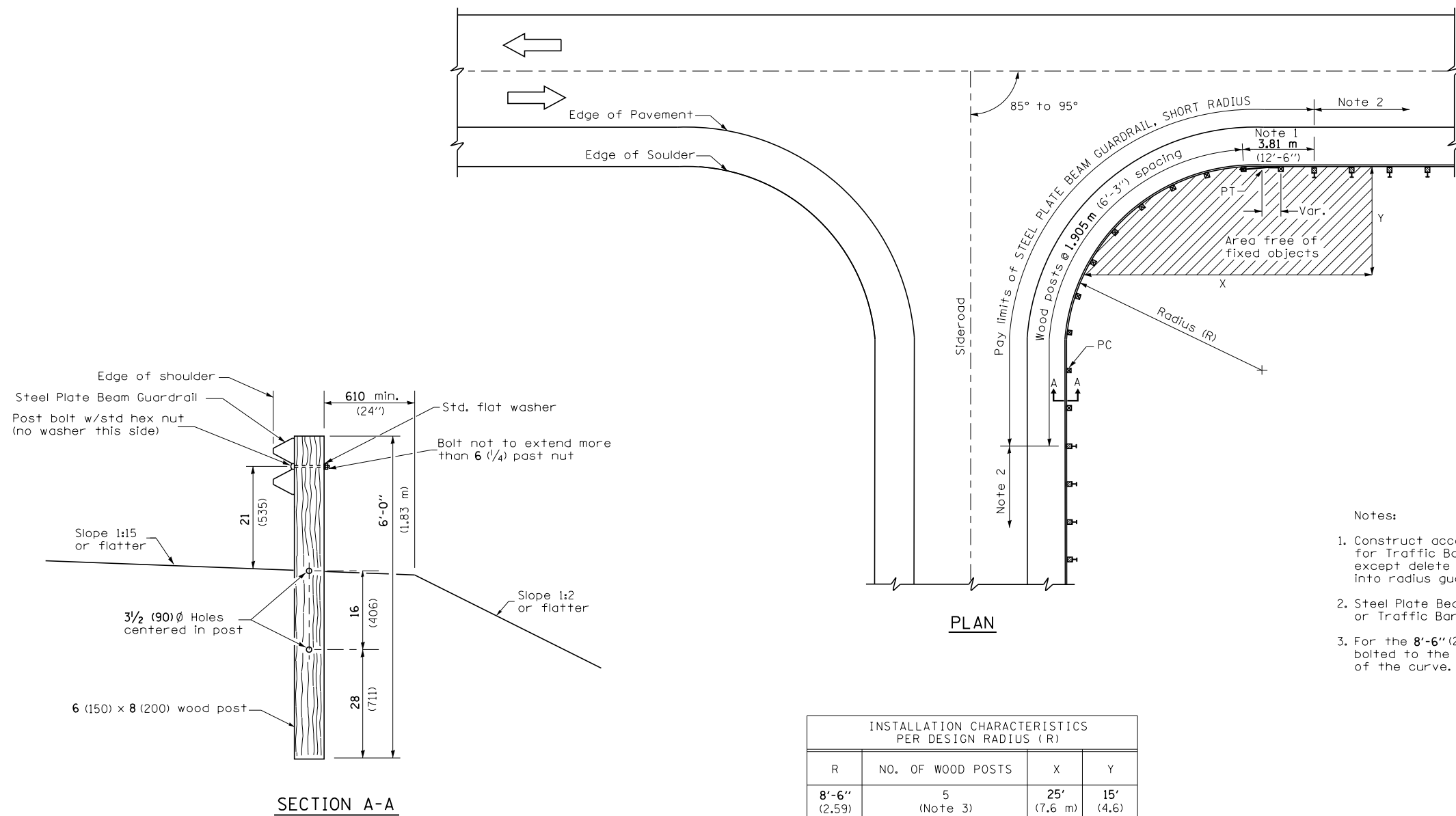
DESIGNED -	NAK	REVISED -	
DRAWN -	SJS	REVISED -	
CHECKED -	CGF	REVISED -	
DATE -	10/25/2019	REVISED -	

**GREENE COUNTY
 GUARDRAIL IMPROVEMENTS**

PLAN - LOCATIONS NO. 39 & 40

SCALE: SHEET OF SHEETS STA. TO STA.

VARIOUS ROUTES	SECTION	COUNTY	TOTAL SHEETS	SHEET NO.
	17-00097-00-GR	GREENE	30	29
CONTRACT NO. 97728				
ILLINOIS FED. AID PROJECT				



- Notes:
1. Construct according to Standard 631011 for Traffic Barrier Terminal Type 2, except delete end section and splice into radius guardrail.
 2. Steel Plate Beam Guardrail Type A, Type B, or Traffic Barrier Terminal as specified.
 3. For the 8'-6" (2.59 m) radius, the rail is not bolted to the post located at the midpoint of the curve.

INSTALLATION CHARACTERISTICS PER DESIGN RADIUS (R)			
R	NO. OF WOOD POSTS	X	Y
8'-6" (2.59)	5 (Note 3)	25' (7.6 m)	15' (4.6)
17'-0" (5.18)	6	30' (9.1 m)	15' (4.6)
25'-6" (7.77)	8	40' (12.2 m)	20' (6.1)
35'-0" (10.67)	11	50' (15.2 m)	20' (6.1)

GENERAL NOTES

All slope ratios are expressed as units of vertical displacement to units of horizontal displacement (V:H).
 All dimensions are in inches (millimeters) unless otherwise shown.

MODEL: Default
 FILE NAME: 2527.1-guardrail_short_radius.dgn



JOB = 2527.1	DESIGNED - NAK	REVISED -
FILE NAME = 2527.1-guardrail_short_radius.dgn	DRAWN - SJS	REVISED -
PLOT SCALE = 400.0000" / in.	CHECKED - CGF	REVISED -
PLOT DATE = 2/13/2020	DATE - 10/25/2019	REVISED -

GREENE COUNTY
 GUARDRAIL IMPROVEMENTS

STEEL PLATE BEAM GUARDRAIL
 (SHORT RADIUS)

SCALE: SHEET OF SHEETS STA. TO STA.

VARIOUS ROUTES	SECTION	COUNTY	TOTAL SHEETS	SHEET NO.
	17-00097-00-GR	GREENE	30	30
CONTRACT NO. 97728				
		ILLINOIS	FED. AID PROJECT	