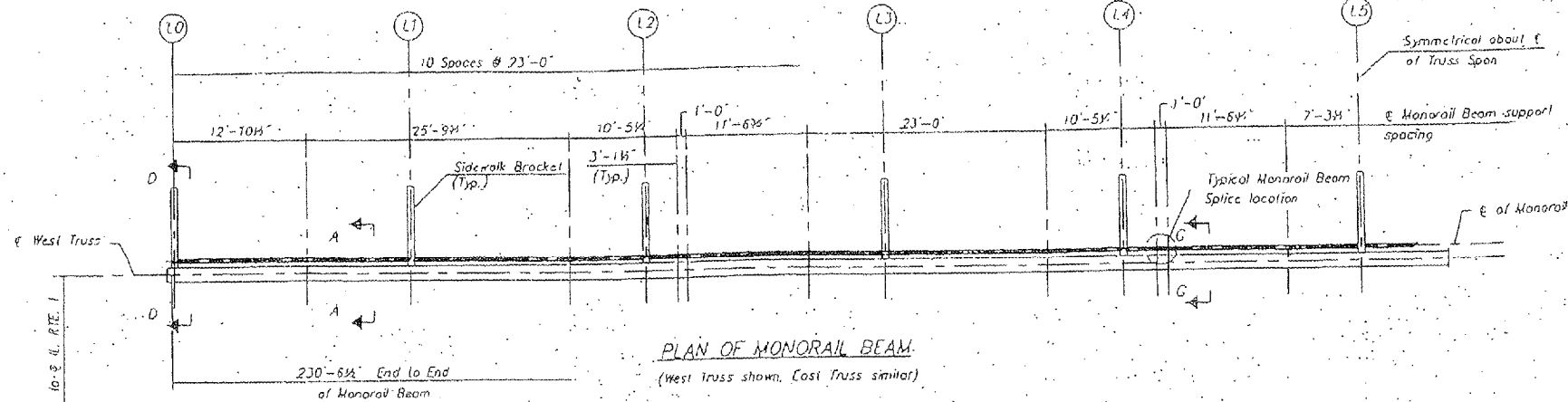
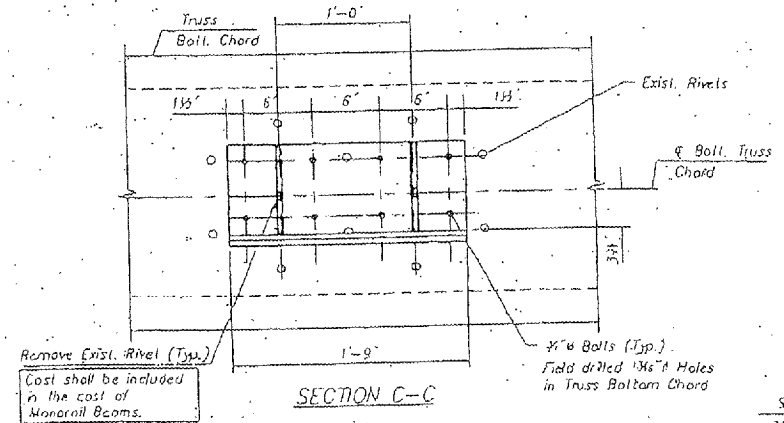


ROUTE	SECTION	COUNTY	TOTAL SHEETS	SHEET NUMBER
EAU 3730	K (B & C) 2-I	COOK	12	10

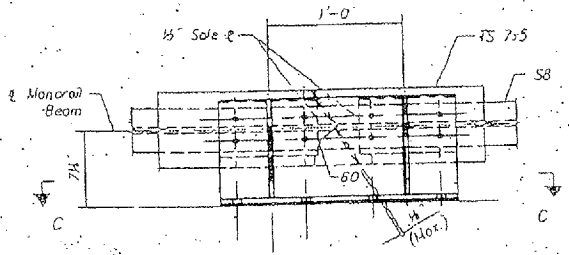
Contract 60C27



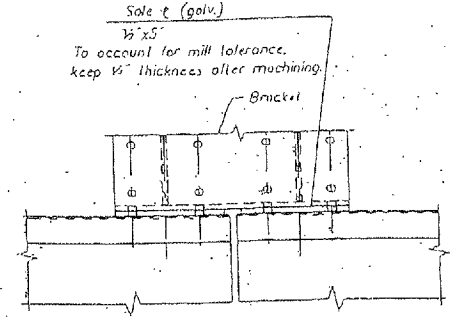
PLAN OF MONORAIL BEAM  
(West truss shown, East Truss similar)



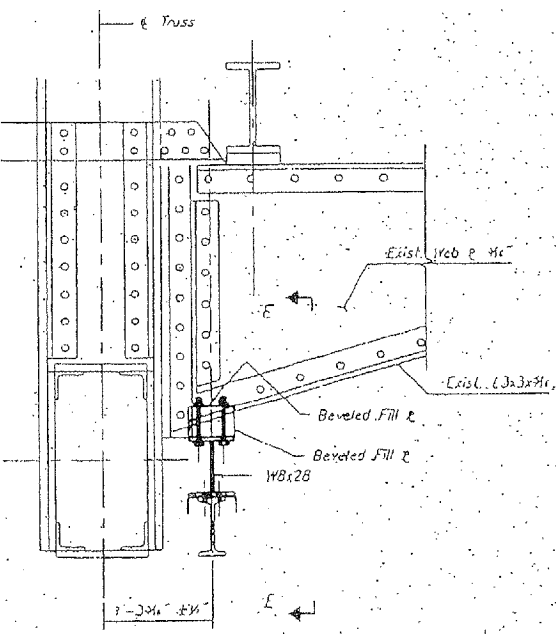
SECTION C-C



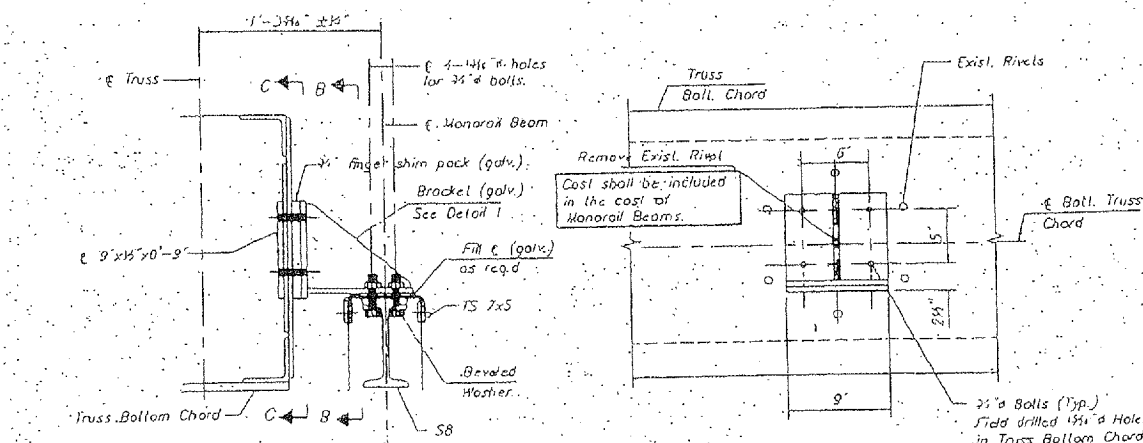
TYPICAL SPLICE DETAIL  
(B Required)



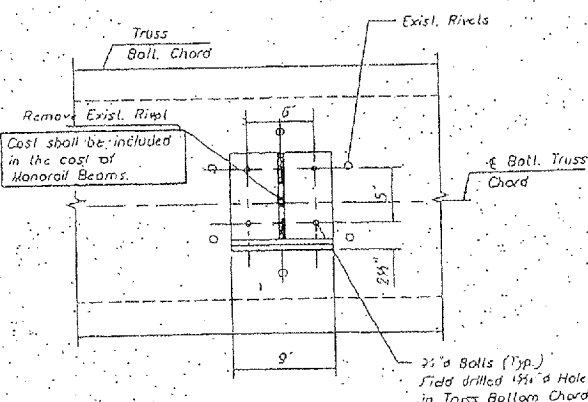
SOLE PLATE DETAIL



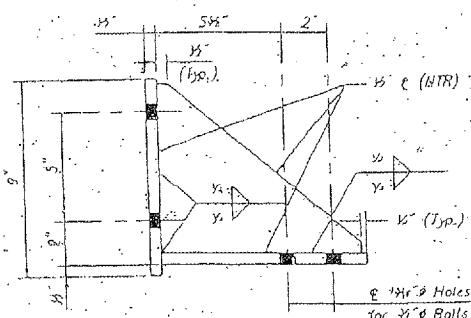
SECTION D-D  
(At L0 and L10)



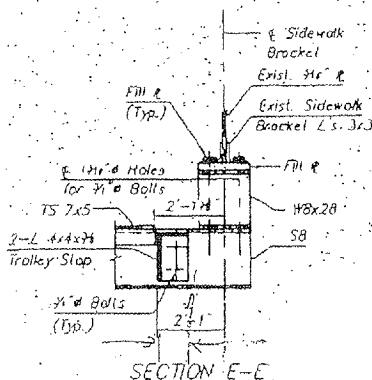
SECTION A-A & SECTION G-G



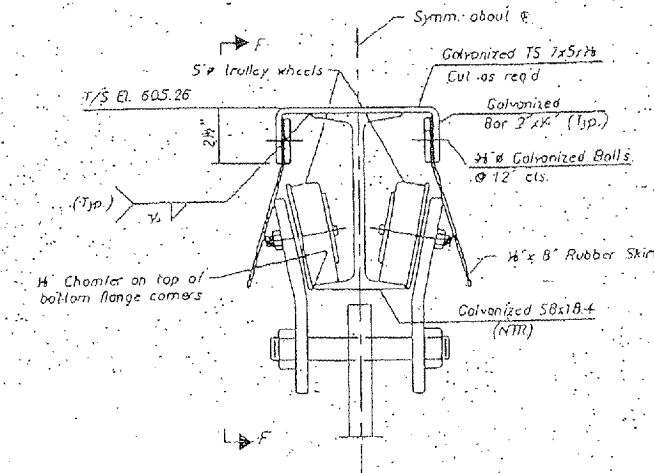
SECTION B-B  
(20 Required)



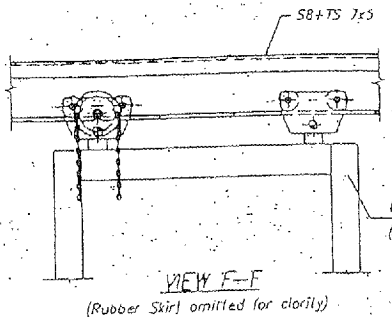
DETAIL I



SECTION E-E



TYPICAL CROSS SECTION  
OF MONORAIL BEAM



VIEW F-F  
(Rubber Skirt omitted for clarity)

BILL OF MATERIAL

ITEM	QTY	TOTAL
MONORAIL BEAMS	1 SUW	1

- NOTES:
- No part of Monorail beam assembly shall project below bottom of truss bottom chord.
  - Use 2 hardened washers with oversize holes.
  - "NTR" Denotes plates and section to which supplemental requirements for notch toughness zone 2 are applicable.
  - Trolleys are included as part of Pay Item "Bridge Inspection Platform".
  - All fasteners for monorail beams and supporting brackets shall be galvanized.

ILLINOIS DEPARTMENT OF TRANSPORTATION  
INSPECTION PLATFORM DETAILS  
IL 1 (HALSTED STREET)  
OVER LITTLE CALUMET RIVER  
SN 016-0193

FOR INFORMATION ONLY