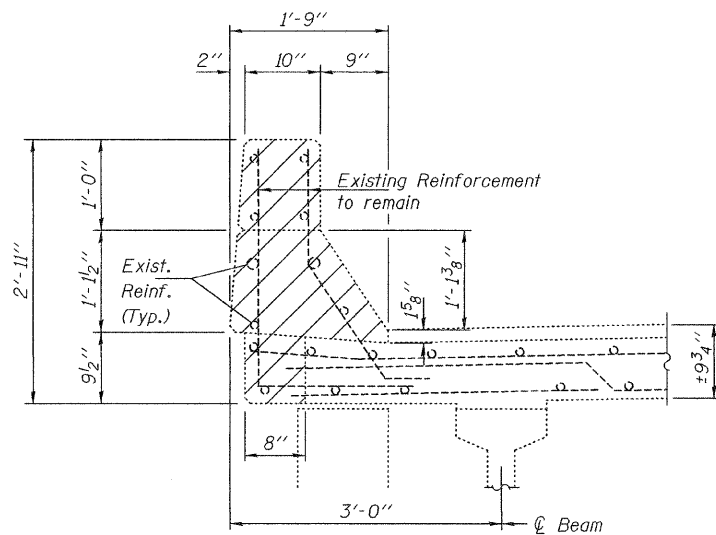


STATE OF ILLINOIS
DEPARTMENT OF TRANSPORTATION

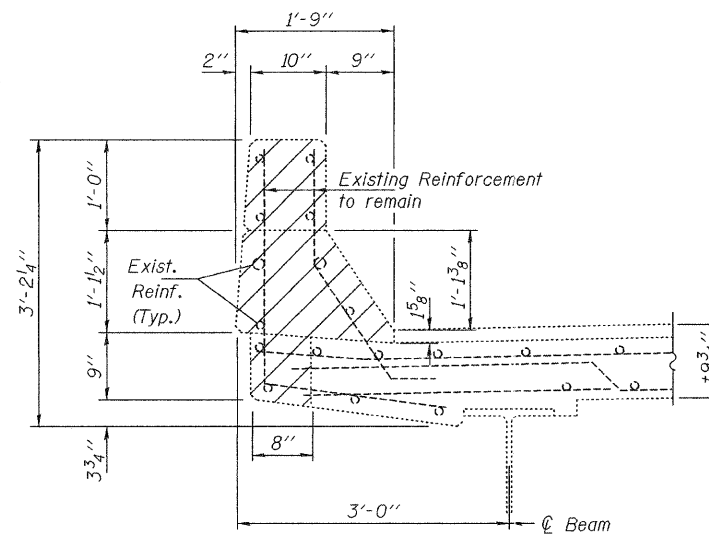
ROUTE NO.	SECTION	COUNTY	TOTAL SHEETS	SHEET NO.
I 290		COOK	12	6
FED. ROAD DIST. NO. 7	ILLINOIS	FED. AID PROJECT		

SHEET NO. 2
3 SHEETS

Contract Number: 60C44

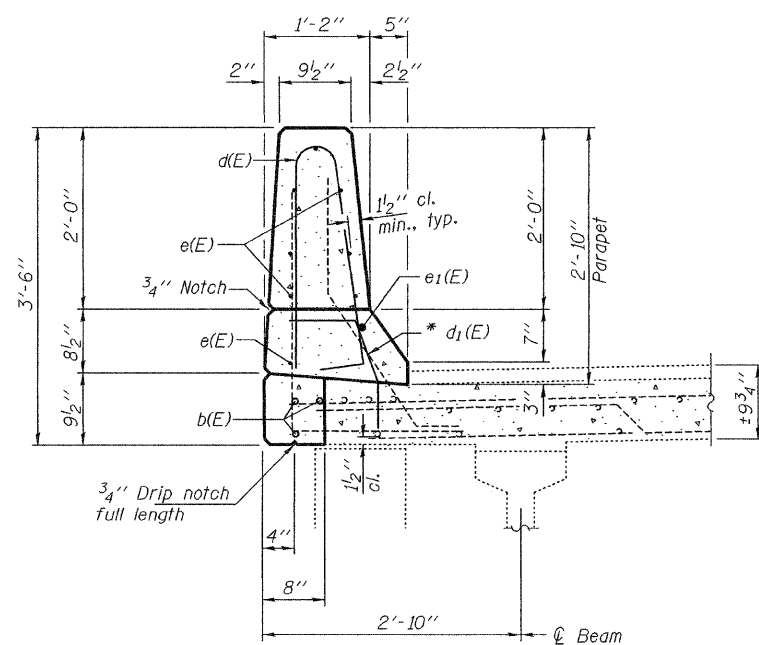


SECTION THRU EXISTING PARAPET
(Showing removal at approaches)

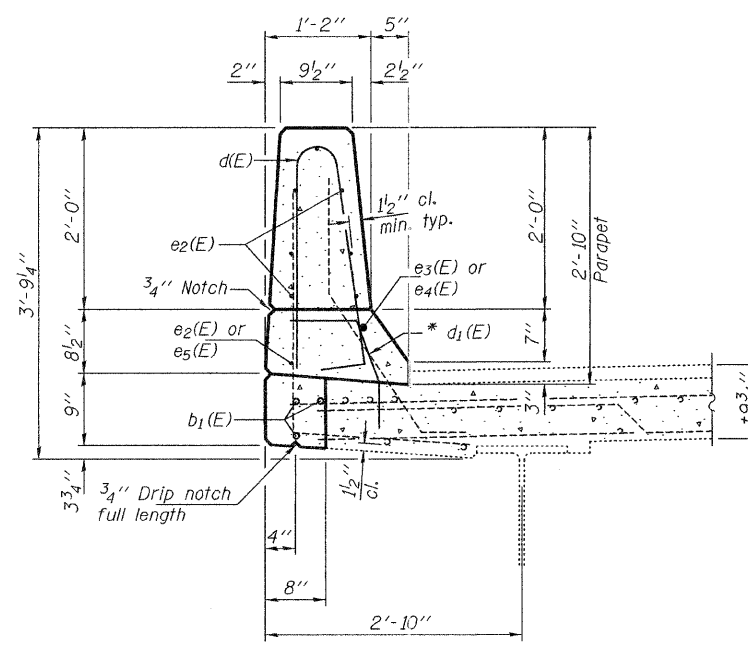


SECTION THRU EXISTING PARAPET
(Showing removal at main span)

Hatched areas indicate concrete removal.



SECTION THRU PROPOSED PARAPET
(At approaches)



SECTION THRU PROPOSED PARAPET
(At main span)

* Epoxy grout bars in 6" min. holes according to Article 584 of the Standard Specifications.

DESIGNED	VHV
CHECKED	AJB
DRAWN	baliva
CHECKED	VHV AJB

MARCH 4, 2008
EXAMINED *Carl P. ...*
ENGINEER OF STRUCTURAL SERVICES
PASSED *Ralph E. Anderson*
ENGINEER OF BRIDGES AND STRUCTURES

REPAIR DETAILS
IL 53 (BIESTERFIELD ROAD)
OVER I 290
COOK COUNTY
SN 016-0960