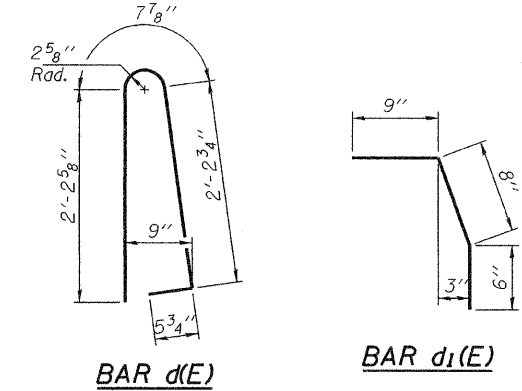
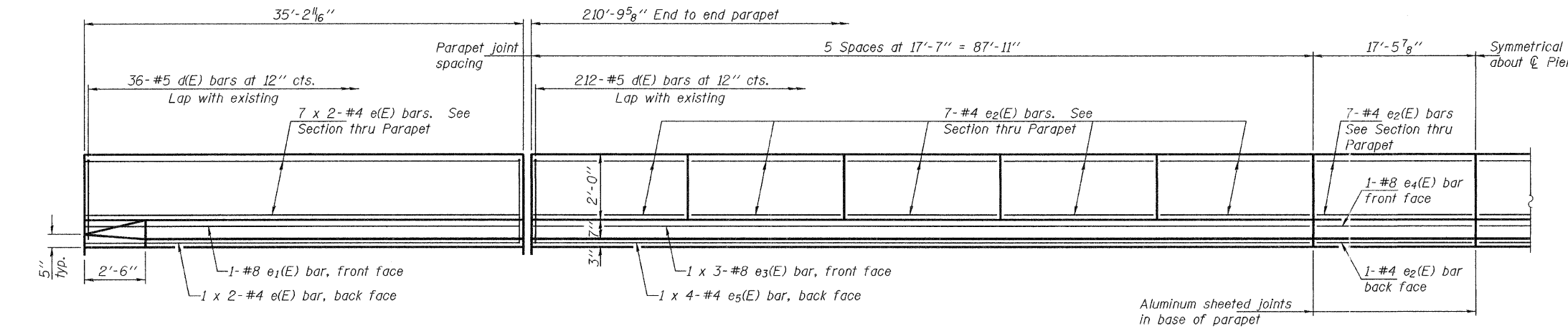


STATE OF ILLINOIS
DEPARTMENT OF TRANSPORTATION

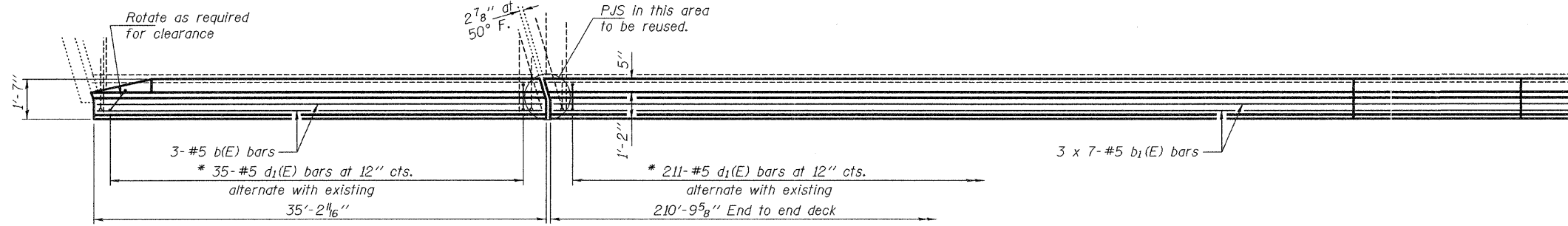
ROUTE NO.	SECTION	COUNTY	TOTAL SHEETS	SHEET NO.
I 290		COOK	12	7
FED. ROAD DIST. NO. 7	ILLINOIS	FED. AID PROJECT		

SHEET NO. 3
3 SHEETS

Contract Number: 60C44



INSIDE ELEVATION OF PARAPET



PLAN

PLAN AT CURB

* Epoxy grout bars in 6" min. holes according to Article 584 of the Standard Specifications.

MINIMUM BAR LAP

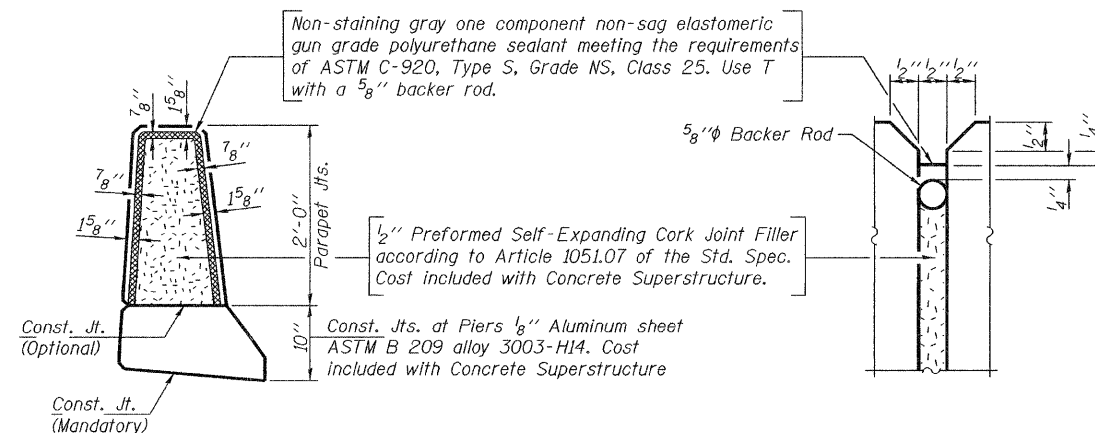
- #4 bar = 1'-4"
- #5 bar = 1'-8"
- #8 bar = 3'-5"

Notes:
See Sheet 2 of 3 for parapet details.

BILL OF MATERIAL

Bar	No.	Size	Length	Shape
b(E)	6	#5	34'-11"	—
b1(E)	21	#5	31'-7"	—
d(E)	284	#5	5'-7"	D
d1(E)	281	#5	1'-11"	7
e(E)	32	#4	18'-2"	—
e1(E)	2	#8	35'-0"	—
e2(E)	86	#4	17'-3"	—
e3(E)	6	#8	31'-8"	—
e4(E)	2	#8	17'-3"	—
e5(E)	8	#4	23'-1"	—
Reinforcement Bars, Epoxy Coated			Pound	5410
Concrete Superstructure			Cu. Yds.	36.8

Bars indicated thus 1 x 3-#8 etc. indicates 1 line of bars with 3 lengths per line.



PARAPET JOINT DETAILS

DESIGNED	VHV
CHECKED	AJB
DRAWN	ballva
CHECKED	VHV AJB

MARCH 4, 2008
EXAMINED *Carl Perry*
ENGINEER OF STRUCTURAL SERVICES
PASSED *Ralph E. Anderson*
ENGINEER OF BRIDGES AND STRUCTURES

REPAIR DETAILS
IL 53 (BIESTERFIELD ROAD)
OVER I 290
COOK COUNTY
SN 016-0960