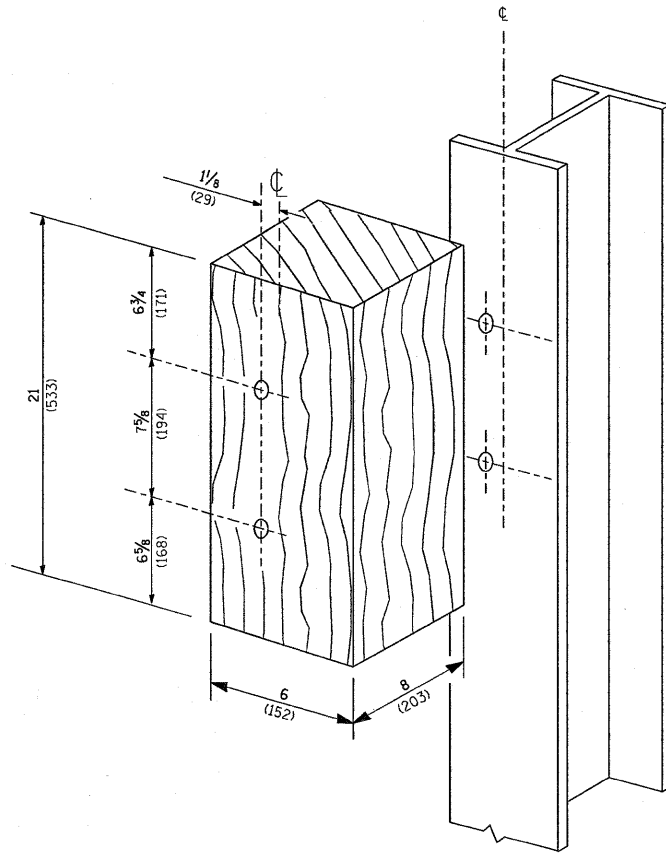
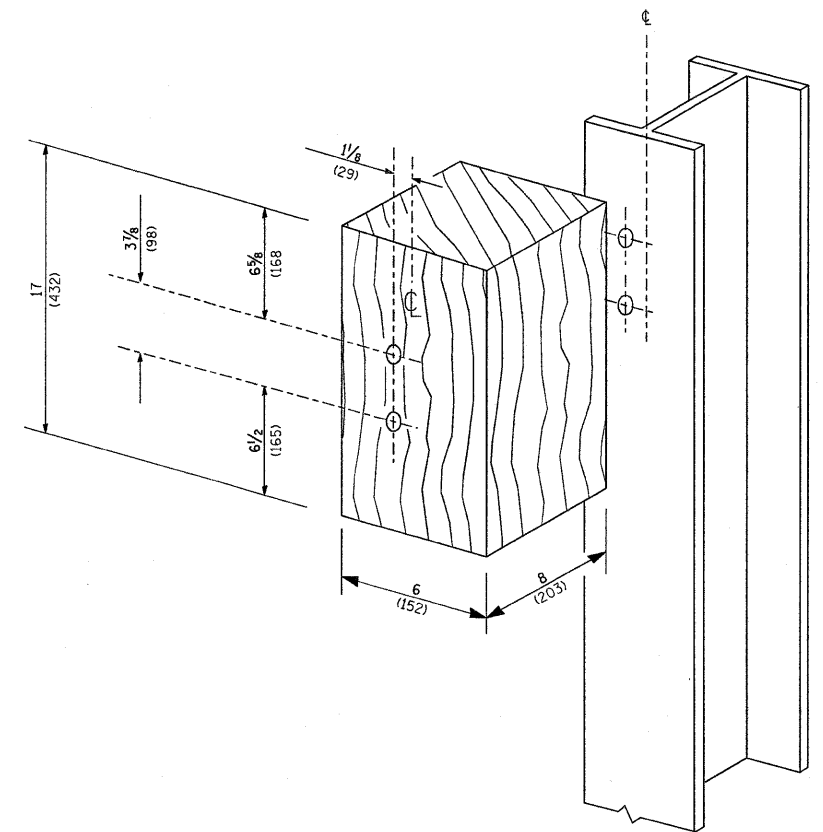


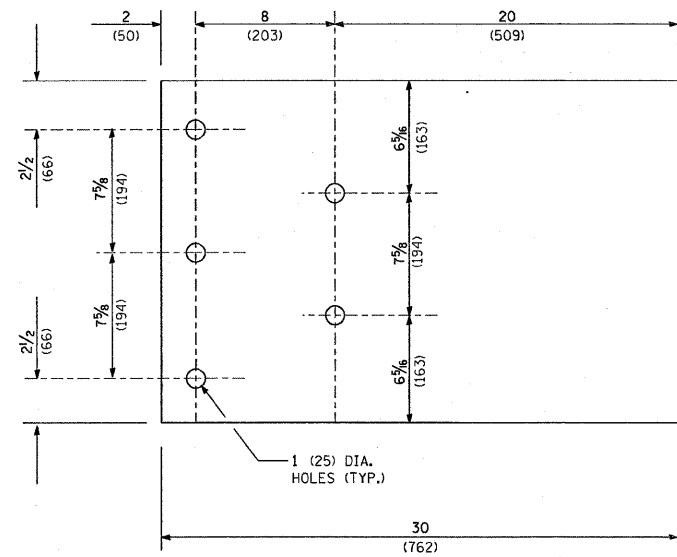
THRIE BEAM END SHOE DETAIL



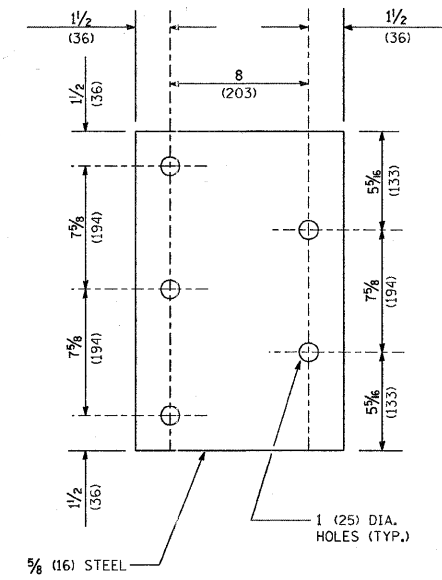
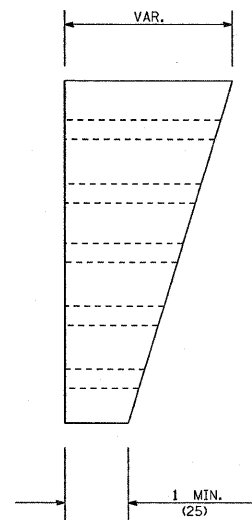
POSTS 1-11 WOOD BLOCKOUT DETAIL



POST 12 WOOD BLOCKOUT DETAIL



PARAPET WOOD BLOCK-OUT DETAIL



PARAPET STEEL BEARING PLATE DETAIL

65 EACH INDIVIDUAL 5x5x3/8 (125x125x16) STEEL PLATES WITH CENTERED 1 (25) HOLES MAY BE SUBSTITUTED FOR THE PLATE SHOWN.

FILE NAME = c:\Projects\diststd2007\bm22.dgn

USER NAME = bauerdl
 PLOT SCALE = 50.0000' / IN.
 PLOT DATE = 2/21/2008

DESIGNED -
 DRAWN -
 CHECKED -
 DATE -

REVISED - STATE STANDARD:
 631031-05 - 02/19/2008
 REVISED -
 REVISED -

STATE OF ILLINOIS
 DEPARTMENT OF TRANSPORTATION

TYPE 6 TERMINAL
 FOR USE WITH 21" HIGH SPBGR

SCALE: NONE SHEET NO. 3 OF 3 SHEETS STA. TO STA.

F.A.U. RTE.	SECTION	COUNTY	TOTAL SHEETS	SHEET NO.
1339	0101-311 HB-I	COOK	12	12
BM 22			CONTRACT NO.	
FED. ROAD DIST. NO. 1 ILLINOIS FED. AID PROJECT				