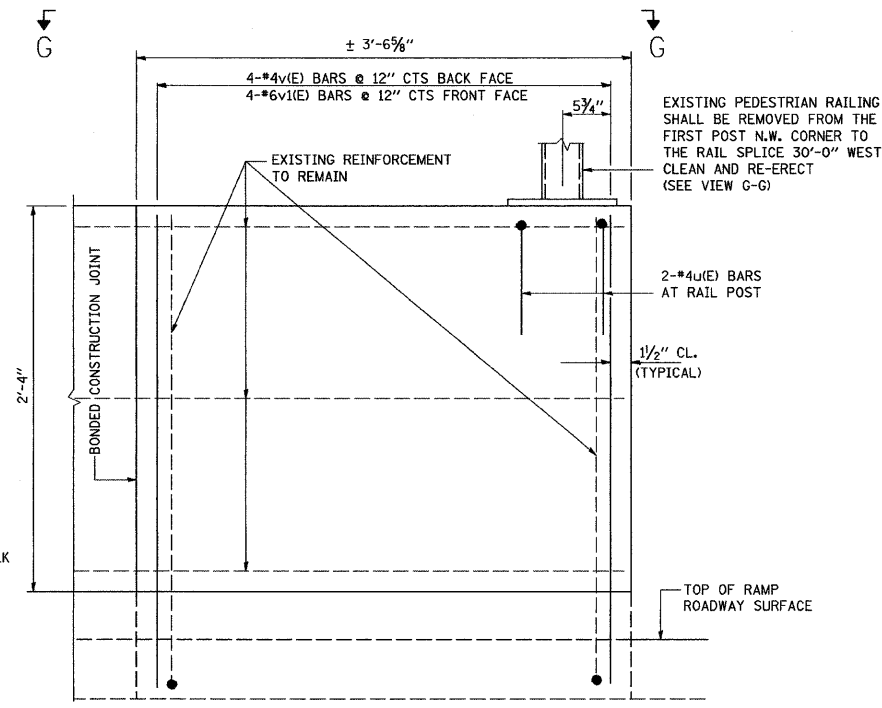
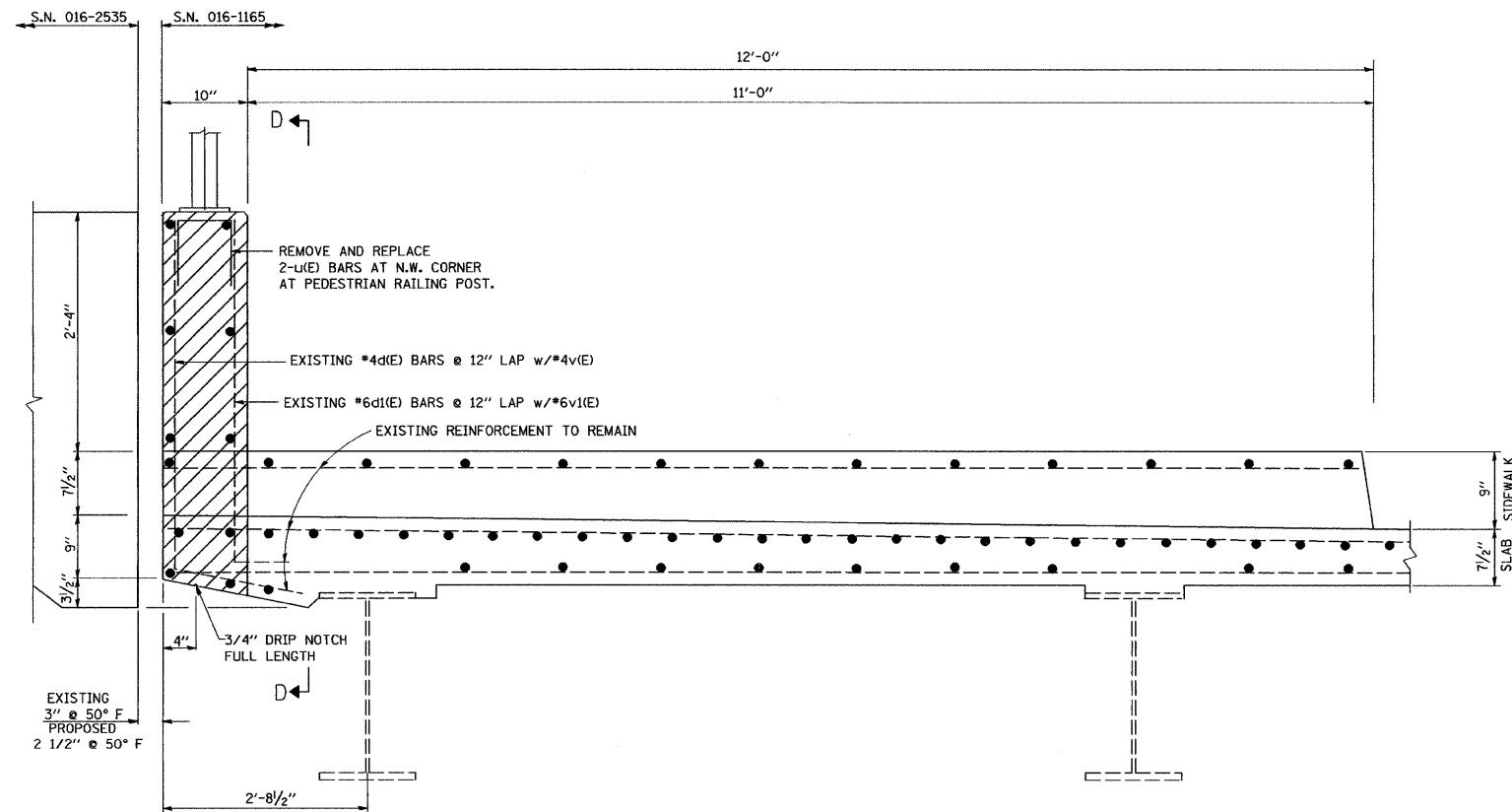


SECTION D-D
EXISTING NORTH WALL

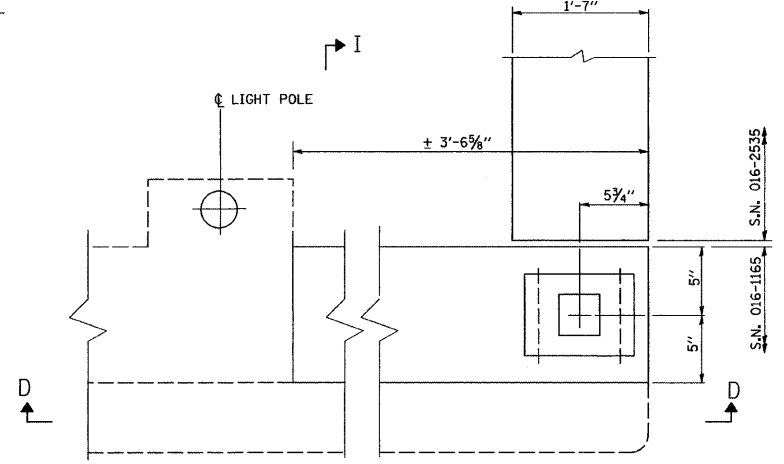


SECTION D-D
PROPOSED

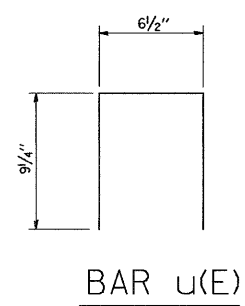
EXISTING PEDESTRIAN RAILING SHALL BE REMOVED FROM THE FIRST POST N.W. CORNER TO THE RAIL SPLICE 30'-0" WEST CLEAN AND RE-ERECT (SEE VIEW G-G)



EXISTING SECTION I-I THRU SIDEWALK
(LOOKING EAST)



VIEW G-G



BAR u(E)

LEGEND
 INDICATES CONCRETE REMOVAL

FILE NAME = c:\projects\struct1\016-1165.dgn	USER NAME = hamdanah	DESIGNED -	REVISED -	STATE OF ILLINOIS DEPARTMENT OF TRANSPORTATION	TAYLOR STREET OVER I-90 /94 (DAN RYAN EXPRESSWAY) BRIDGE JOINT REPAIRS S.N. 016-1165 AND S.N. 016-2535			F.A.U. RTE. 1438	SECTION 2626.23 B-I	COUNTY COOK	TOTAL SHEETS 12	SHEET NO. 6
PLOT SCALE = 50.0000' / IN.	CHECKED -	REVISED -	REVISED -		SCALE: NONE	SHEET NO. 3 OF 5 SHEETS	STA.	TO STA.	CONTRACT NO. 60C46			
PLOT DATE = 3/19/2008	DATE -	REVISED -	REVISED -		FED. ROAD DIST. NO. 1 ILLINOIS FED. AID PROJECT							