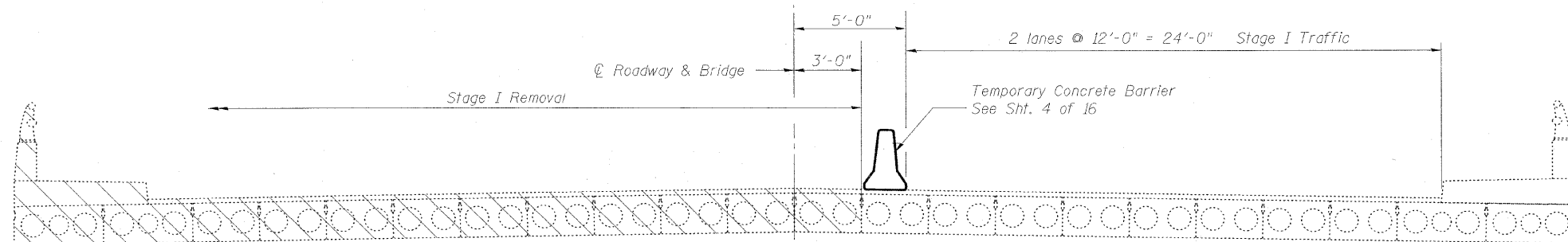


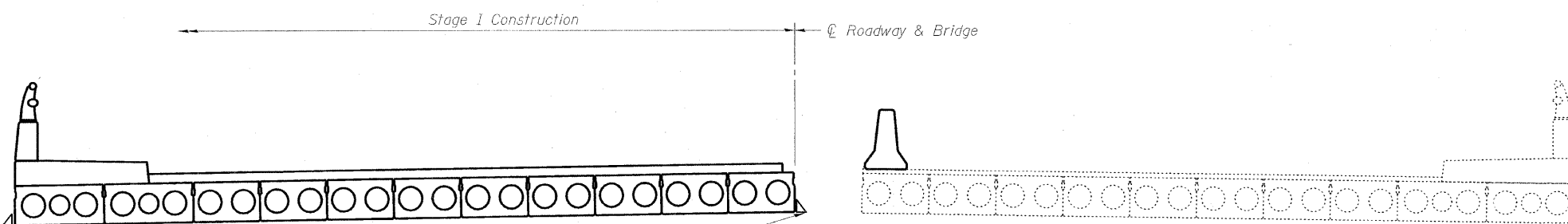
STATE OF ILLINOIS
DEPARTMENT OF TRANSPORTATION

ROUTE NO.	SECTION	COUNTY	TOTAL SHEETS	SHEET NO.	SHEET NO. 3 16 SHEETS
FAP 311	625X-B-R-1	DuPage	29	11	
FED. ROAD DIST. NO. 7	ILLINOIS	FED. AID PROJECT-			

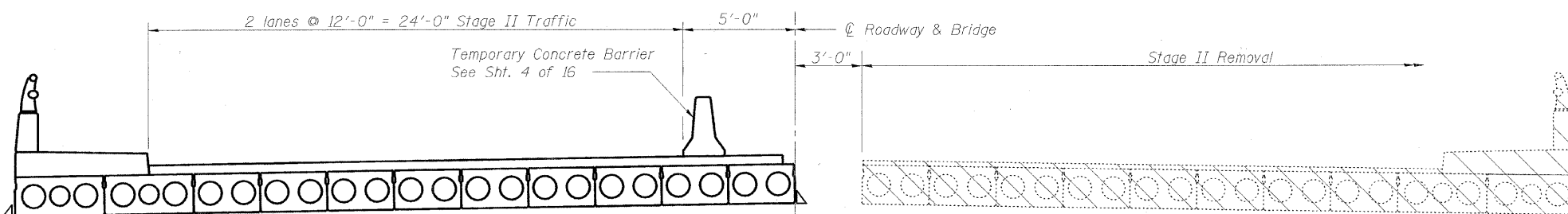
Contract #60C53



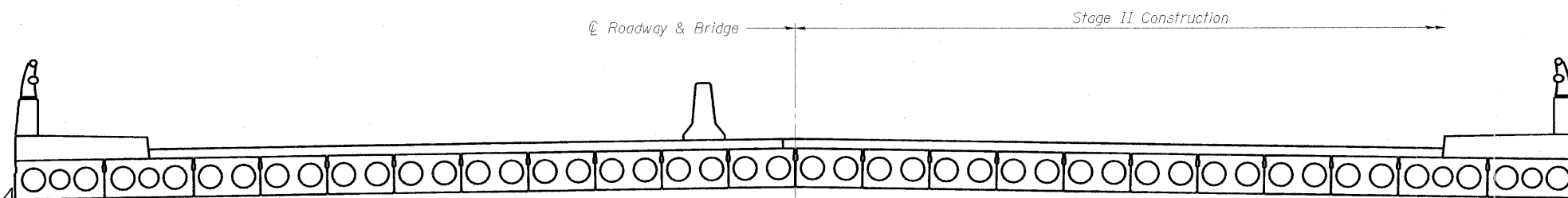
STAGE I REMOVAL



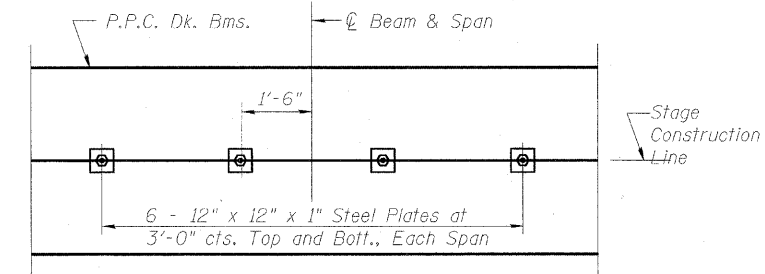
STAGE I CONSTRUCTION



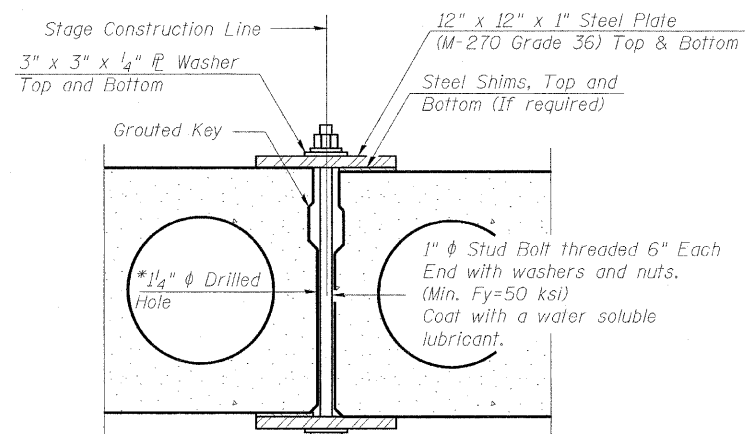
STAGE II REMOVAL



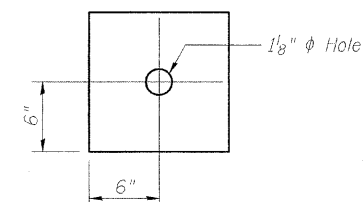
STAGE II CONSTRUCTION



PLAN



SECTION



CLAMPING PLATE

SHEAR KEY CLAMPING DETAILS AT STAGE CONST. JT.

1. See Standard Specifications for Stage Construction of Precast Prestressed Concrete Deck Beams.
2. Cost included with Precast Prestressed Concrete Deck Beams, 21" Depth.

*As an alternate to the drilled holes, the Contractor may request the Fabricator to cast 2" diameter semi-circular recesses in the sides of each beam adjacent to the stage construction line. These recesses should align to form a hole at the appropriate locations for the clamping device bolts. If the Contractor elects to use this alternate, the details shall be identified on the shop drawings.

STAGE CONSTRUCTION
F.A.P. 311 (US RTE. 34)
OVER W BRANCH OF DU PAGE RIVER
SECTION 652X-B-R-1,
DU PAGE COUNTY, STA. 1701+11
STRUCTURE NO. 022-0040

DESIGNED	DDB
CHECKED	LLV
DRAWN	JDB
CHECKED	DDB

Notes:
All staging cross sections are looking east.
For quantity of Temporary Concrete Barrier see roadway plans.
Hatched area indicates Removal of Existing Superstructures.

STS CONSULTANTS
111 NE Jefferson Ave.
Peoria, Illinois 61602
Ph(309)676-8464
FAX(309)676-5445
IL Design Firm Reg. No. 184-001518