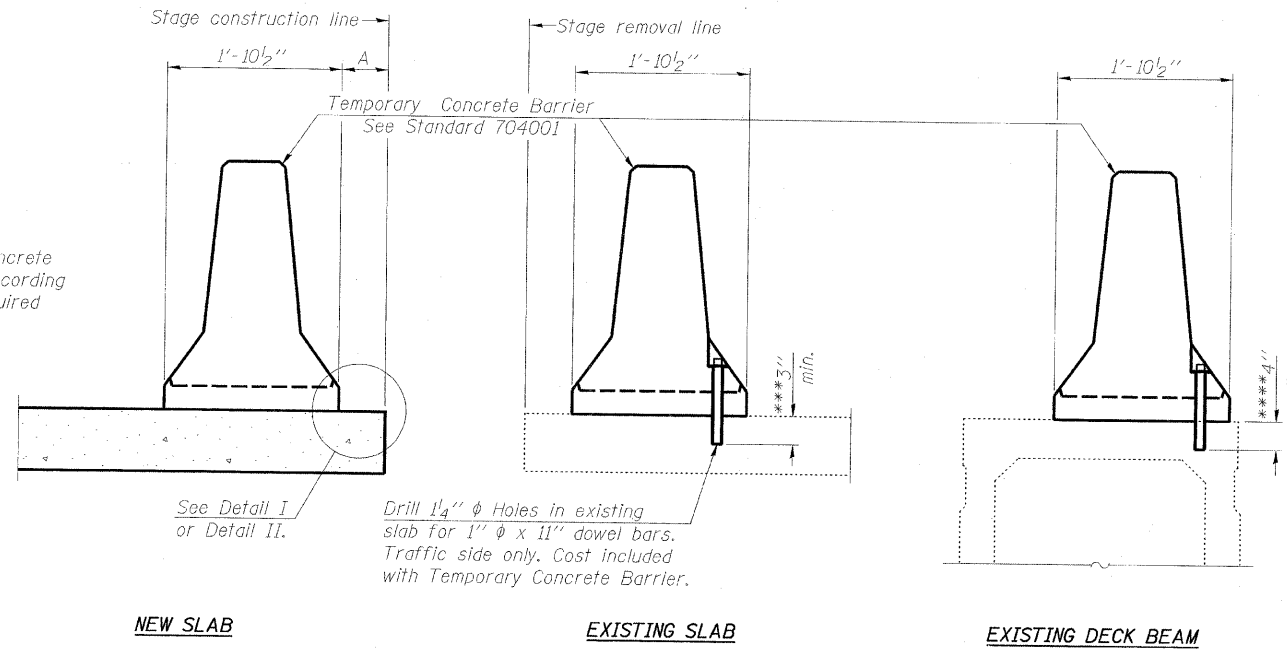


STATE OF ILLINOIS
DEPARTMENT OF TRANSPORTATION

ROUTE NO.	SECTION	COUNTY	TOTAL SHEETS	SHEET NO.	SHEET NO.
FAP 311	625X-B-R-1	DuPage	29	12	16 SHEETS
FED. AID DIST. NO. 7	ILLINOIS	FED. AID PROJECT			

Contract #60C53

When "A" is 3'-6" or less, the temporary concrete barrier shall be anchored to the new slab according to Detail I or Detail II. No anchorage is required when "A" is greater than 3'-6".

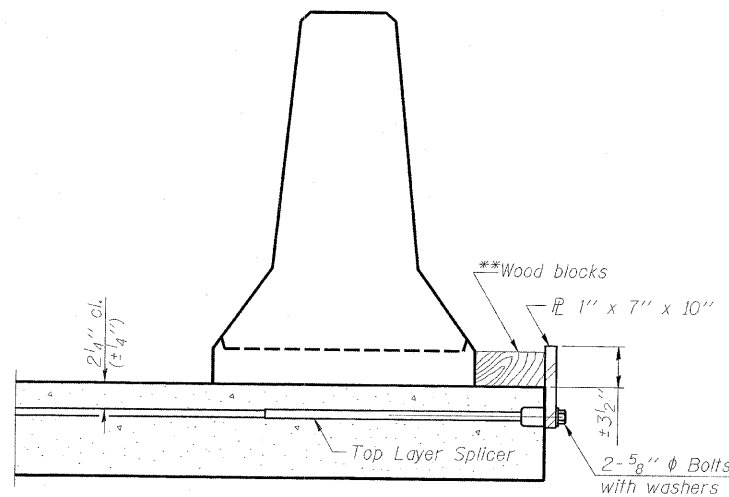


NOTES

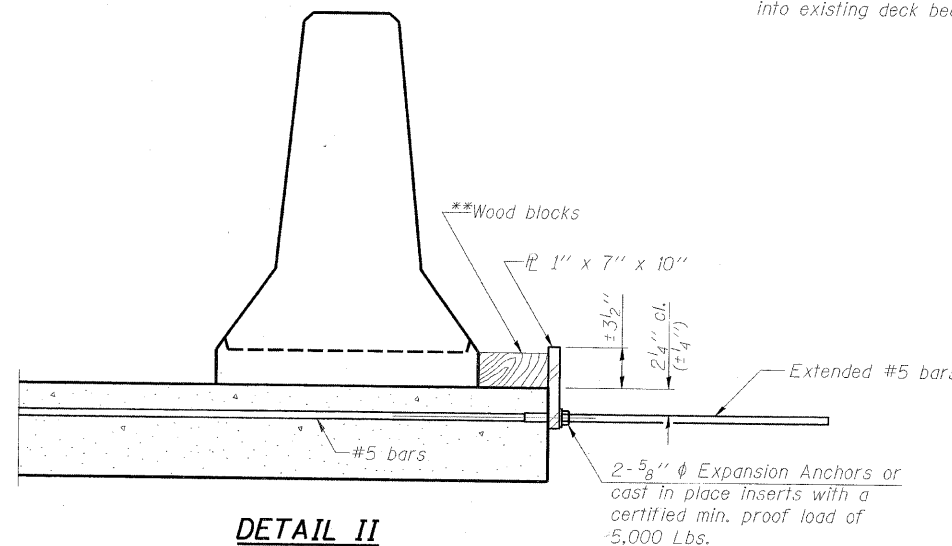
- Detail I - With Bar Splicer or Couplers:**
Connect one (1) 1"x7"x10" steel \bar{P} to the top layer of couplers with 2-5/8" ϕ bolts screwed to coupler at approximate \bar{C} of each barrier panel.
- Detail II - With Extended Reinforcement Bars:**
Connect one (1) 1"x7"x10" steel \bar{P} to the concrete slab or concrete wearing surface with 2-5/8" ϕ Expansion Anchors or cast in place inserts spaced between the top layer of reinforcement at approximate \bar{C} of each barrier panel.
- Cost of anchorage is included with Temporary Concrete Barrier. The 1" x 7" x 10" plate shall not be removed until stage II construction forms and all reinforcement bars are in place and the concrete is ready to be placed.

SECTIONS THRU SLAB OR DECK BEAM

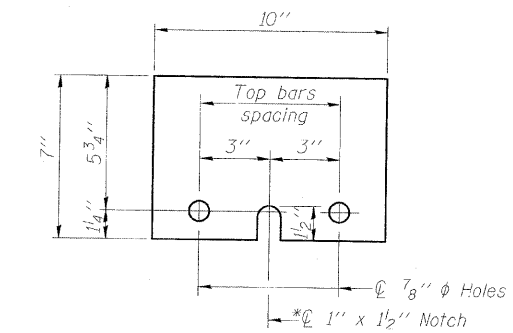
- ***Dimension shown is minimum required embedment into concrete. If hot-mix asphalt wearing surface is present, minimum embedment shall be in addition to wearing surface depth.
- ****If existing deck beam is to remain in place after stage construction, embedment shall only be into wearing surface and not into existing deck beam concrete.



DETAIL I



DETAIL II



STEEL RETAINER \bar{P} 1" x 7" x 10"

* Required only with Detail II

**Wood blocks may be omitted when required to provide minimum stage traffic lane width. When the wood blocks are omitted, the concrete barrier shall be in direct contact with the steel retainer plate.

Note: Contractor shall add splicers, change bolt sizes and/or change plate size as required to accommodate reinforcing steel and bar splicers in the Concrete Wearing Surface. Included in the cost of Temporary Concrete Barrier.

DESIGNED	DDB
CHECKED	LLV
DRAWN	JSD
CHECKED	DDB

TEMPORARY CONCRETE BARRIER
F.A.P. 311 (US RTE. 34)
OVER W BRANCH OF DU PAGE RIVER
SECTION 625X-B-R-1,
DU PAGE COUNTY, STA. 1701+11
STRUCTURE NO. 022-0040

STS CONSULTANTS
111 NE Jefferson Ave.
Peoria, Illinois 61602
Ph(309)676-8464
FAX(309)676-5445
IL Design Firm Reg. No. 184-001518