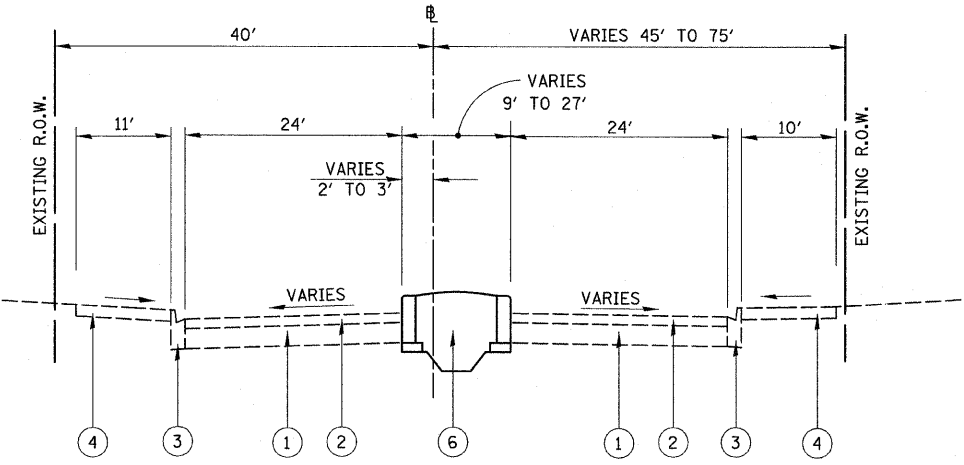
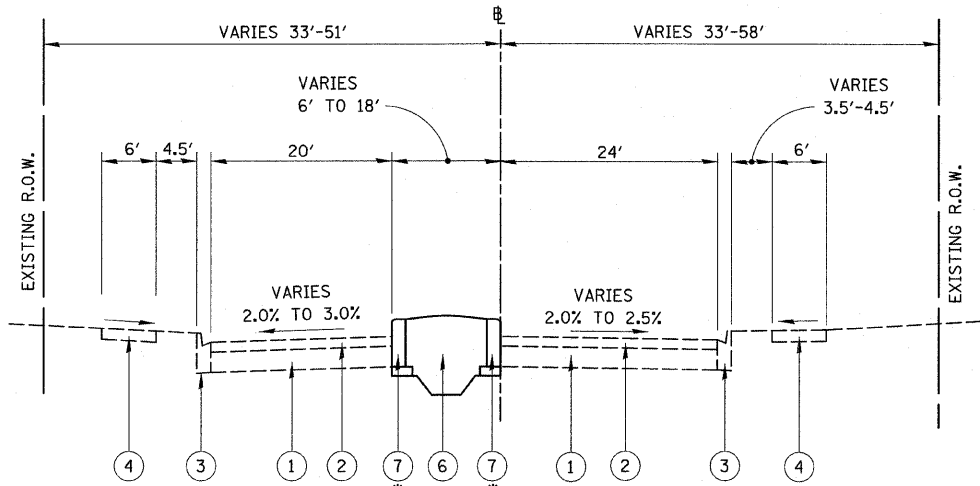


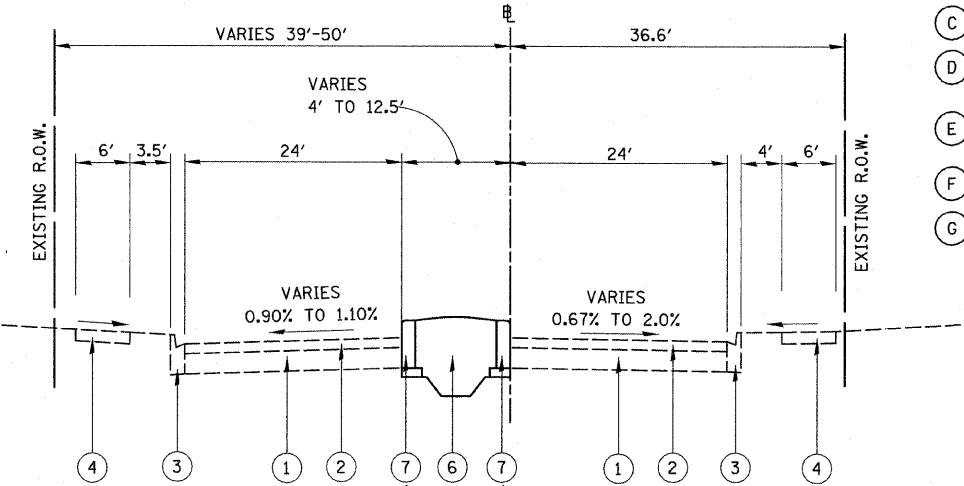
TYPICAL CROSS SECTION-75TH STREET
WEST OF LAFAYETTE AVENUE



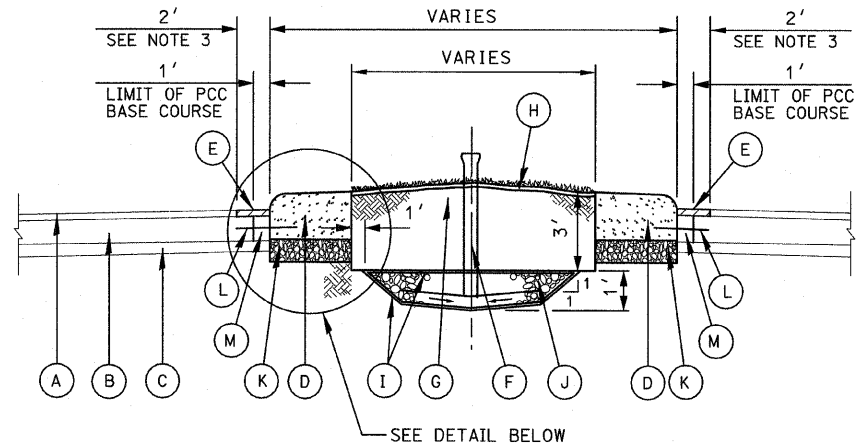
TYPICAL CROSS SECTION-75TH STREET
EAST OF STATE STREET



TYPICAL CROSS SECTION-76TH STREET
WEST OF LAFAYETTE AVENUE
*SEE NOTE 1



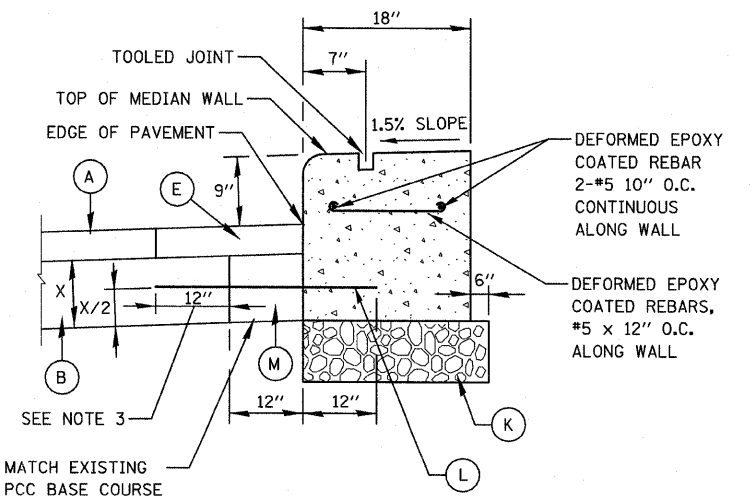
TYPICAL CROSS SECTION-76TH STREET
EAST OF LAFAYETTE AVENUE
*SEE NOTE 1



PROPOSED LANDSCAPED MEDIAN DETAIL

LEGEND

- (A) EXISTING HOT-MIX ASPHALT SURFACE COURSE, 3"±
- (B) EXISTING PCC BASE COURSE 10"±
- (C) EXISTING SUB-BASE GRANULAR MATERIAL
- (D) CONCRETE MEDIAN WALL - 18" WIDE (SEE NOTE 1)
- (E) HOT-MIX ASPHALT SURFACE COURSE, MIX "D", N70, IL-4.75, 2" (SEE NOTE 2)
- (F) INSPECTION PIPE 4" (SEE NOTE 2)
- (G) PLANTING MIX FURNISH AND PLACE 36"
- (H) MULCH
- (I) GEOTECHNICAL FABRIC
- (J) POROUS GRANULAR MATERIAL
- (K) SUB-BASE GRANULAR MATERIAL, TYPE B 6" (SEE NOTE 1)
- (L) DEFORMED EPOXY COATED TIE BAR, #5 X 36" @ 30" O.C., DRILL AND GROUT INTO EXISTING PAVEMENT (INCLUDED IN COST OF CONCRETE MEDIAN WALL - 18" WIDE) (SEE NOTE 1)
- (M) PCC BASE COURSE 10 1/2"± (SEE NOTE 1)



CONCRETE MEDIAN WALL - 18" WIDE

NOTES:

1. CONCRETE MEDIAN WALL, HOT-MIX ASPHALT SURFACE COURSE, SUB-BASE, TIE BARS AND PCC BASE HAVE BEEN CONSTRUCTED BY CONTRACT NO. 62695 (17B) FOR THE 76TH STREET MEDIANS.
2. FOR INSPECTION PIPE DETAIL, SEE CONSTRUCTION DETAILS.
3. THE ADDITIONAL ONE FOOT (1') OF TWO INCH (2") HMA SURFACE REMOVAL AROUND THE 75TH STREET MEDIAN PLANTERS SHALL BE INCLUDED IN THE COST OF MEDIAN AND PAVEMENT REMOVAL (SPECIAL).

LEGEND

- (1) EXISTING PCC BASE COURSE 10"±
- (2) EXISTING HOT-MIX ASPHALT SURFACE COURSE, 3"±
- (3) EXISTING CCC&G, TYPE B-V.12
- (4) EXISTING PCC SIDEWALK
- (5) EXISTING GRASS PARKWAY
- (6) PROPOSED LANDSCAPED MEDIAN (SEE PROPOSED LANDSCAPED MEDIAN DETAIL)
- (7) EXISTING CONCRETE MEDIAN WALL - 18" WIDE

REVISIONS	
NAME	DATE

ILLINOIS DEPARTMENT OF TRANSPORTATION
F.A.I. 94 (DAN RYAN EXPRESSWAY)
75TH AND 76TH STREET
TYPICAL SECTIONS
SCALE: AS NOTED
DATE: JANUARY 30, 2008
DRAWN BY: REW/RTA
CHECKED BY: JCM

HOT-MIX ASPHALT MIXTURE REQUIREMENT

ITEM	AC TYPE	VOIDS	RAP %
HOT-MIX ASPHALT SURFACE COURSE, MIX "D", N70, IL-4.75	PG 64-22	4% @ 70 Gyr	10

THE UNIT WEIGHT USED TO CALCULATE ALL HOT-MIX ASPHALT MIXTURES IS 112 LBS/SQ YD/IN.