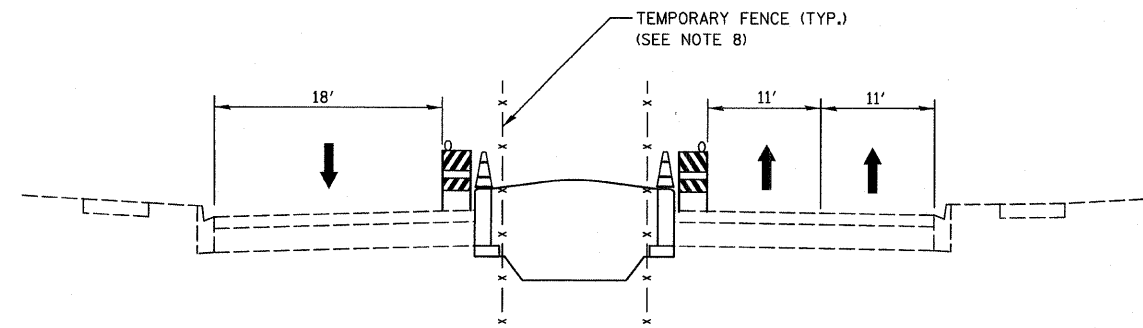
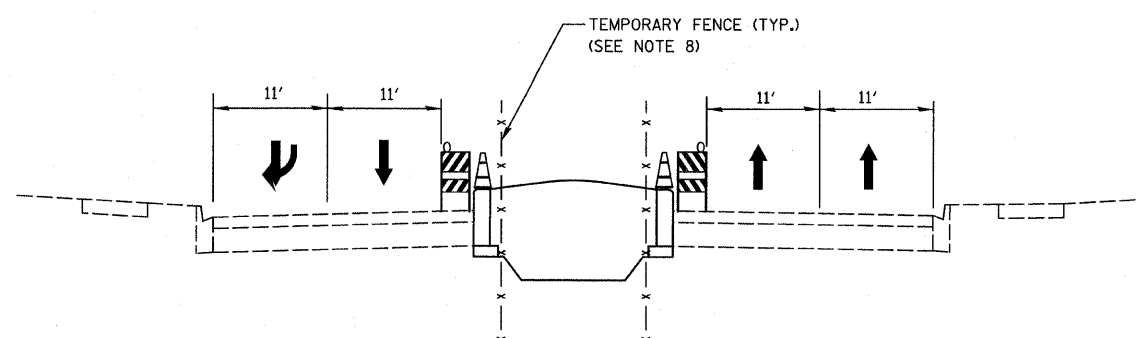


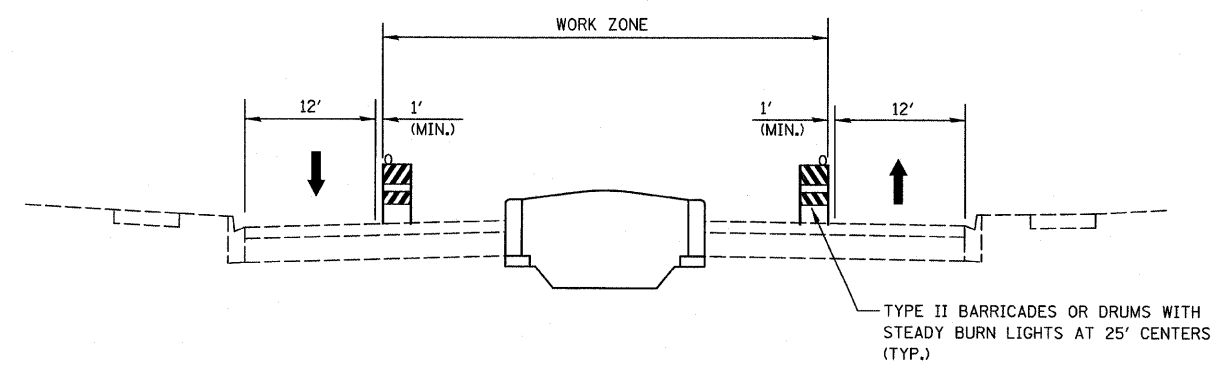
F.A.I. RTE.	SECTION	COUNTY	TOTAL SHEETS	SHEET NO.
94	*	COOK	22	9
STA.		TO STA.		
FED. ROAD DIST. NO.	ILLINOIS	FED. AID PROJECT		
*(1516.1, 1717 & 1818) I-5				62934



TYPICAL CROSS SECTION-76TH STREET
DURING NON-WORKING HOURS
WEST OF LAFAYETTE AVENUE



TYPICAL CROSS SECTION-76TH STREET
DURING NON-WORKING HOURS
EAST OF STATE STREET



TYPICAL CROSS SECTION-76TH STREET
DURING WORKING HOURS

GENERAL NOTES

1. THE CONTRACTOR SHALL PROVIDE AND MAINTAIN ACCESS TO ALL PUBLIC AND PRIVATE ENTRANCES.
2. THE CONTRACTOR SHALL COORDINATE THE WORK WITH THE CONTRACTORS ON THE ADJACENT CONTRACTS.
3. THE CONTRACTOR SHALL COORDINATE ALL TRAFFIC CLOSURES WITH THE LOCAL AGENCY, ADJACENT PROJECTS AND IDOT BUREAU OF TRAFFIC
4. THE CONTRACTOR SHALL USE PAVEMENT MARKING TAPE, TYPE III, ON ALL EXISTING SURFACES TO REMAIN AND ALL PERMANENT SURFACES.
5. ALL BARRICADES OR DRUMS SHALL BE EQUIPPED WITH MONO-DIRECTIONAL STEADY BURNING LIGHTS. A MINIMUM OF TWO SAND BAGS SHALL BE PROVIDE FOR EACH BARRICADE OR DRUM.
6. EXISTING TRAFFIC SIGNS IN CONFLICT WITH STAGING SHALL BE COVERED AS DIRECTED BY THE ENGINEER. THIS WORK SHALL BE CONSIDERED INCLUDED IN THE CONTRACT UNIT PRICE FOR "TRAFFIC CONTROL AND PROTECTION (SPECIAL)".
7. THE CONTRACTOR SHALL OBTAIN ALL REQUIRED PERMITS FROM CDOT AND COORDINATE WITH THE CITY OF CHICAGO TO IMPLEMENT A NO PARKING RESTRICTION ALONG 75TH STREET TEMPORARY LANE CLOSURES ARE IN EFFECT. THE CONTRACTOR SHALL SCHEDULE THE WORK TO MINIMIZE THE LENGTH OF TIME PARKING IS RESTRICTED. THIS WORK SHALL BE CONSIDERED INCLUDED IN THE CONTRACT UNIT PRICE FOR "TRAFFIC CONTROL AND PROTECTION (SPECIAL)".
8. TEMPORARY FENCE SHALL BE REMOVED AND RE-ERECTED AND/OR RELOCATED AS REQUIRED TO COMPLETE THE PROPOSED CONSTRUCTION. PAYMENT FOR THIS WORK SHALL BE CONSIDERED INCLUDED IN THE CONTRACT UNIT PRICE FOR TEMPORARY FENCE.

75TH STREET MAINTENANCE OF TRAFFIC NOTE

1. MAINTENANCE OF TRAFFIC FOR THE CONSTRUCTION OF THE PROPOSED MEDIANS SHALL BE AS SHOWN ON THE 75TH STREET MAINTENANCE OF TRAFFIC PLAN.

76TH STREET MAINTENANCE OF TRAFFIC NOTES

1. THE INSTALLATION OF THE POROUS GRANULAR MATERIAL, PLANTING MIX, IRRIGATION SYSTEM AND PLANT MATERIAL SHALL BE COMPLETED WITH DAYTIME LANE CLOSURE AS SHOWN ON THE TYPICAL SECTIONS. ADVANCE SIGNING AND TAPERS FOR DAYTIME LANE CLOSURES SHALL BE IN ACCORDANCE WITH IDOT STANDARD 701601.
2. DURING NON-WORKING HOURS, THE PROPOSED MEDIANS SHALL BE DELINEATED WITH TYPE II BARRICADES OR DRUMS WITH STEADY BURNING LIGHTS AND/OR CONSTRUCTION FENCE AS SHOWN ON THE TYPICAL SECTIONS AND IDOT STANDARD 701701 OR AS DIRECTED BY THE ENGINEER.

REVISIONS	
NAME	DATE

ILLINOIS DEPARTMENT OF TRANSPORTATION
F.A.I. 94 (DAN RYAN EXPRESSWAY)
75TH AND 76TH STREET
MAINTENANCE OF TRAFFIC
NOTES AND TYPICAL SECTIONS
SCALE: AS NOTED DRAWN BY: REW
DATE: JANUARY 30, 2008 CHECKED BY: JCM

FILE: L:\16895\02_Civil\Drawings\Contract_170\689502_MOT_NOTES_170.dgn

