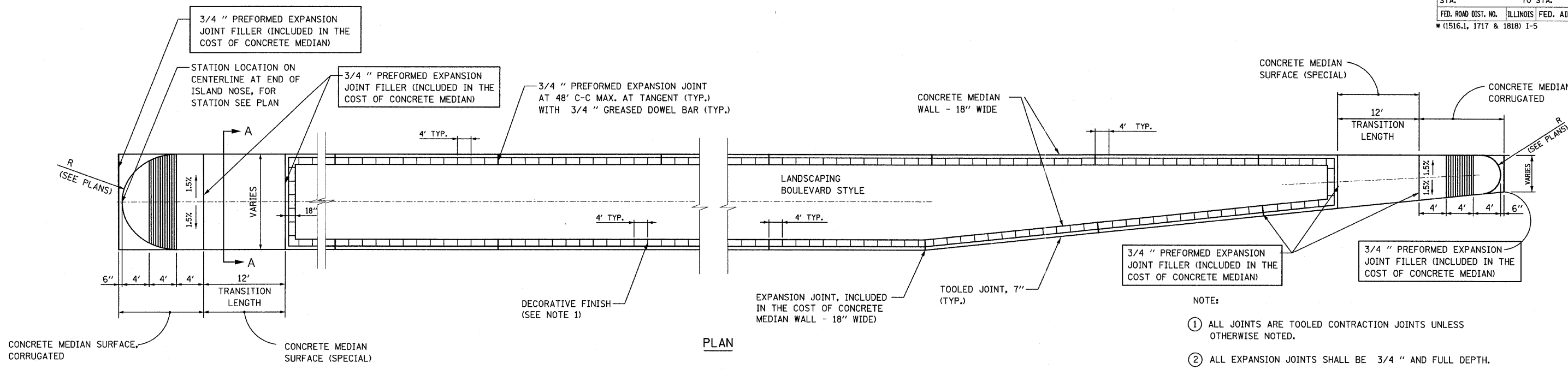
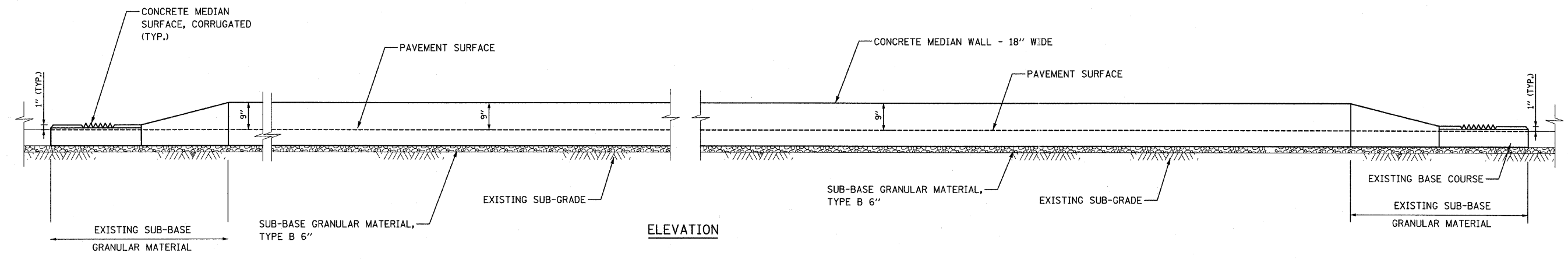


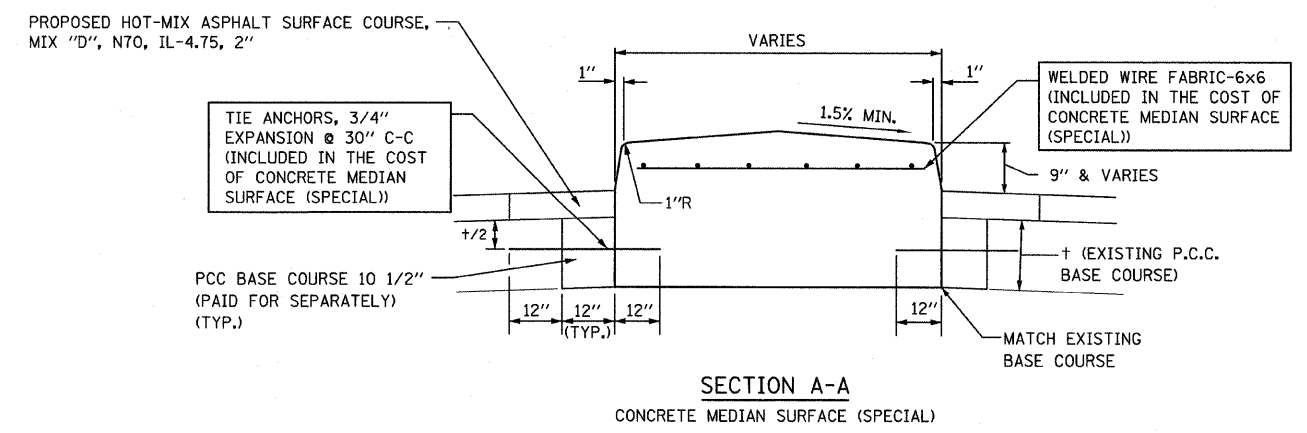
F.A.I. RTE.	SECTION	COUNTY	TOTAL SHEETS	SHEET NO.
94	*	COOK	22	15
STA.		TO STA.		
FED. ROAD DIST. NO.		ILLINOIS FED. AID PROJECT		
*(1516.1, 1717 & 1818) 1-5		62934		



- NOTE:
- ① ALL JOINTS ARE TOOLED CONTRACTION JOINTS UNLESS OTHERWISE NOTED.
 - ② ALL EXPANSION JOINTS SHALL BE 3/4" AND FULL DEPTH.
 - ③ ALL CONCRETE MEDIAN WALL SURFACES SHALL BE BROOM FINISHED PARALLEL TO THE TOOLED CONTRACTION JOINTS.



- NOTES:
1. DECORATIVE FINISH SHALL CONSIST OF A STIFF BROOM FINISH ON ENTIRE SURFACE AND SCORING LINES AT SPACING SHOWN IN PLAN VIEW. SCORING LINES SHALL BE MADE WITH A FINISH GROOVER (MARSHALLTOWN PART NO. 836 OR AN APPROVED EQUIVALENT).



REVISIONS	
NAME	DATE

ILLINOIS DEPARTMENT OF TRANSPORTATION
 F.A.I. 94 (DAN RYAN EXPRESSWAY)
 75TH AND 76TH STREET
 CONSTRUCTION DETAILS
 SCALE: AS NOTED
 DATE: JANUARY 30, 2008
 DRAWN BY: WHI
 CHECKED BY: JCM

FILE: L:\6592.02\Cad\Drawings\Contract\75\659202 Det02 ITG.dgn

