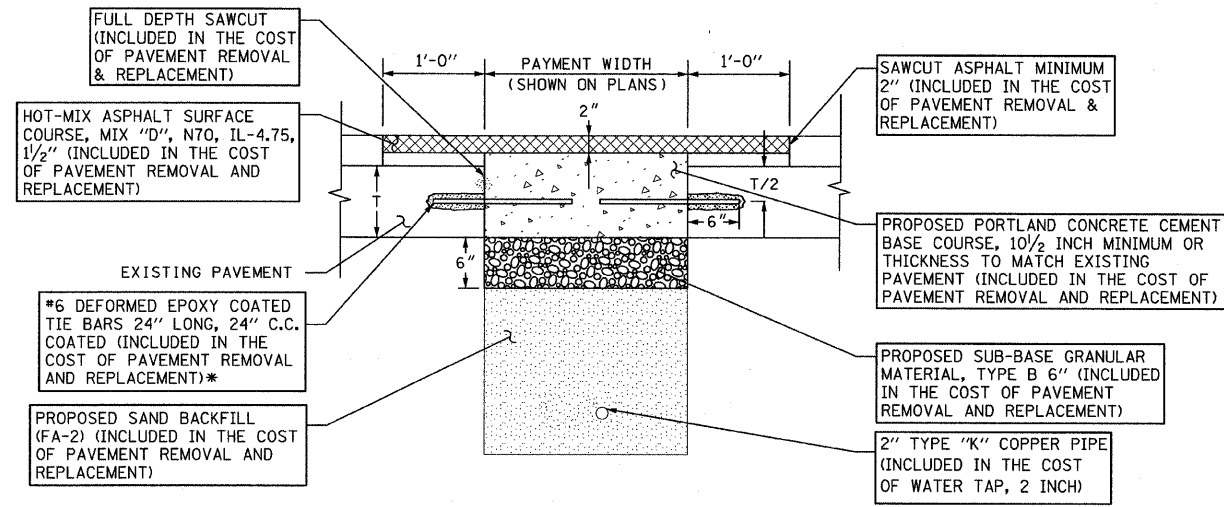


F.A.I. RTE.	SECTION	COUNTY	TOTAL SHEETS	SHEET NO.
94	*	COOK	22	16
STA.		TO STA.		
FED. ROAD DIST. NO.		ILLINOIS FED. AID PROJECT		
* (1516.1, 1717 & 1818) 1-5				62934

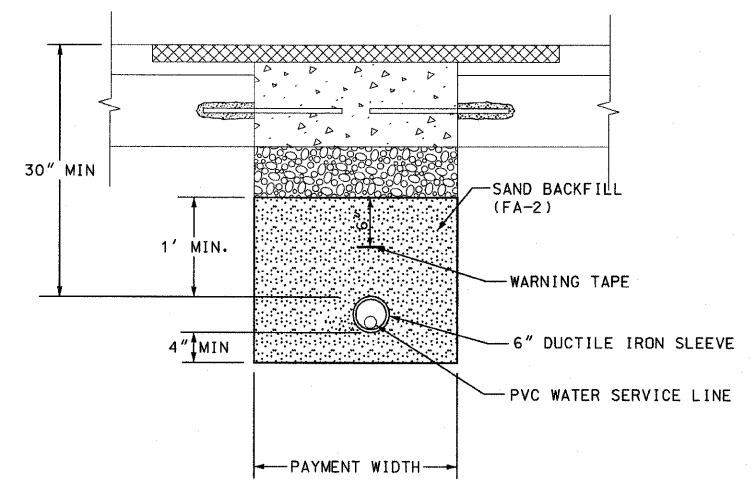


**PAVEMENT REMOVAL & REPLACEMENT**

\* DOWEL BARS MAY BE DELETED SUBJECT TO APPROVAL BY ENGINEER.

**NOTE:**

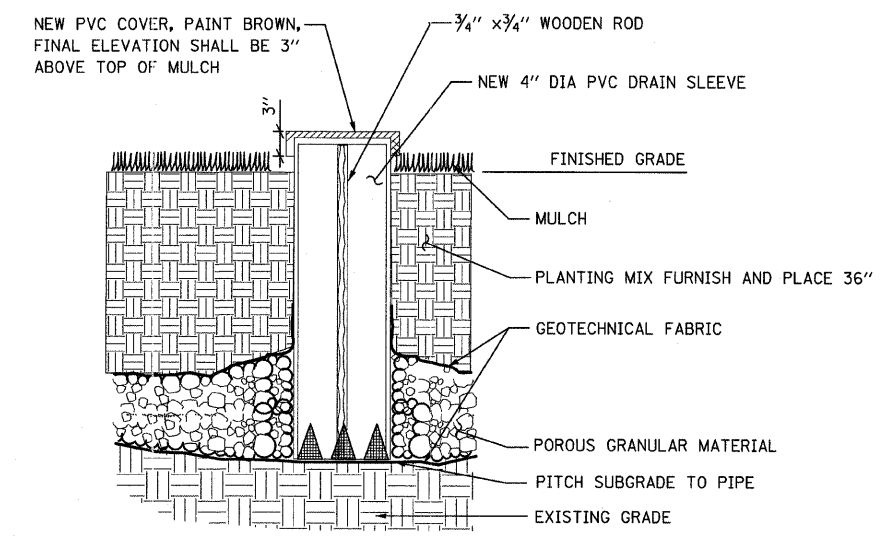
1. ALL TIE BARS AND DOWEL BARS TO BE EPOXY COATED INCLUDED IN THE COST OF PAVEMENT REMOVAL AND REPLACEMENT.
2. ADDITIONAL ONE FOOT (1') OF HOT-MIX ASPHALT REMOVAL ON EITHER SIDE OF CONCRETE PATCH SHALL BE REMOVED PRIOR TO PLACING HOT-MIX ASPHALT SURFACE COURSE, INCLUDED IN THE COST OF PAVEMENT REMOVAL AND REPLACEMENT.
3. ALL ITEMS SHOWN IN THIS DETAIL SHALL BE CONSIDERED INCLUDED IN THE CONTRACT UNIT PRICE FOR PAVEMENT REMOVAL AND REPLACEMENT, UNLESS OTHERWISE NOTED.



**WATER SERVICE LINE**

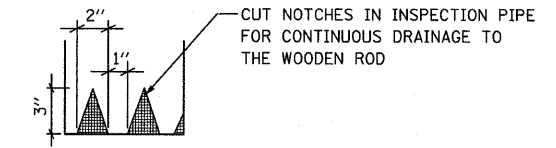
**NOTE:**

1. PIPE BEDDING, TAMPED IN PLACE 4" MIN. UNDER PIPE, 1'-0" ABOVE TOP OF PIPE. BEDDING MUST BE WELL SPADED ON BOTH SIDES OF PIPE.
2. ALL ITEMS SHOWN IN THIS DETAIL SHALL BE CONSIDERED INCLUDED IN THE CONTRACT UNIT PRICE FOR WATER SERVICE LINE, UNLESS OTHERWISE NOTED.



**INSPECTION PIPE 4 INCH**

NOT TO SCALE



**DRAIN SLEEVE ELEVATION**

FILE: I:\6592.02\Cad\Sheets\Contract\79\659202\_De103\_17c.dgn



REVISIONS	
NAME	DATE

ILLINOIS DEPARTMENT OF TRANSPORTATION  
**F.A.I. 94 (DAN RYAN EXPRESSWAY)**  
**75TH AND 76TH STREET**  
**CONSTRUCTION DETAILS**  
 SCALE: AS NOTED      DRAWN BY: WHI  
 DATE: JANUARY 30, 2008      CHECKED BY: JCM