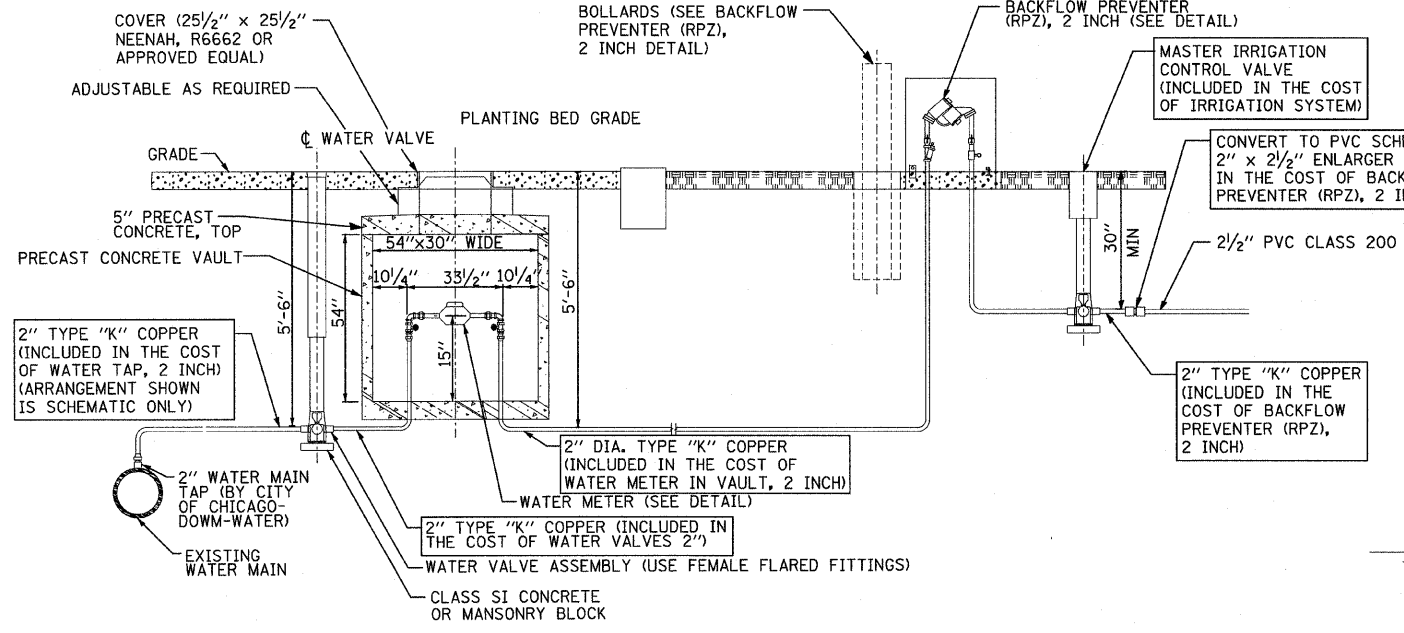
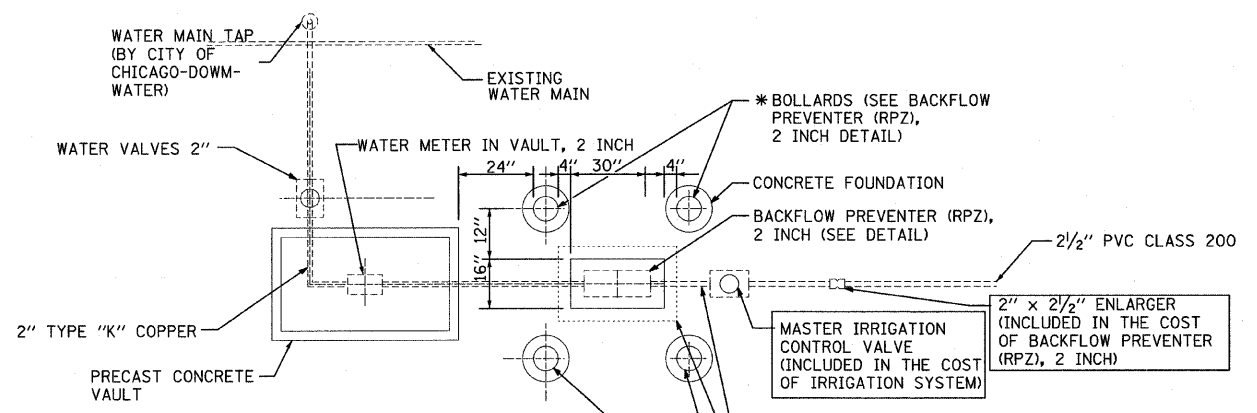


F.A.I. RTE.	SECTION	COUNTY	TOTAL SHEETS	SHEET NO.
94		COOK	22	17
STA.	TO STA.			
FED. ROAD DIST. NO.	ILLINOIS	FED. AID PROJECT		
• (1516.1, 1717 & 1818) 1-5				62934

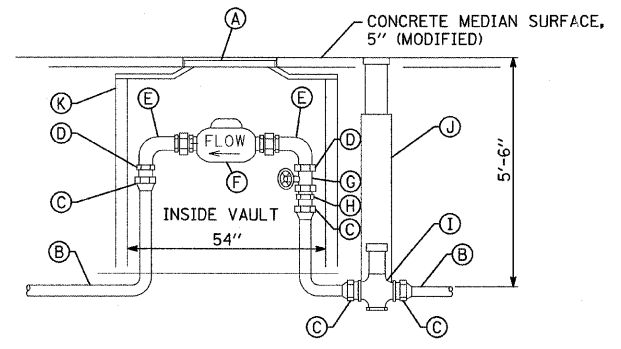


TYPICAL METER INSTALLATION FOR 2" WATER SERVICE WITH BACKFLOW PREVENTER (RPZ), 2 INCH
N.T.S.



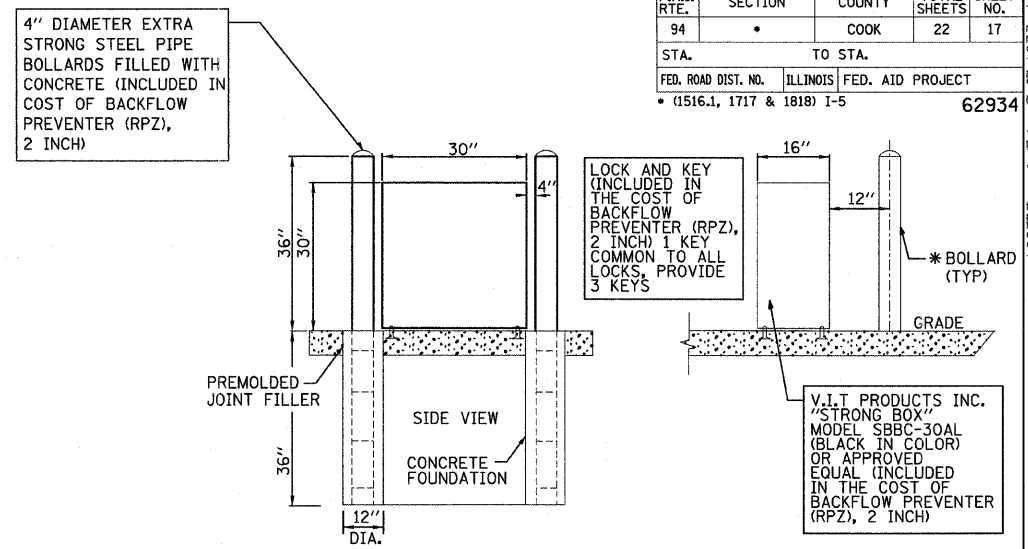
WATER SERVICE CONNECTION PLAN (TYPICAL EQUIPMENT LAYOUT PLAN)
N.T.S.

- * 2 BOLLARDS AT 67TH STREET BACKFLOW PREVENTER (RPZ), 2 INCH
- ** 4 BOLLARDS EACH AT 75TH AND 76TH STREET BACKFLOW PREVENTERS (RPZ), 2 INCH

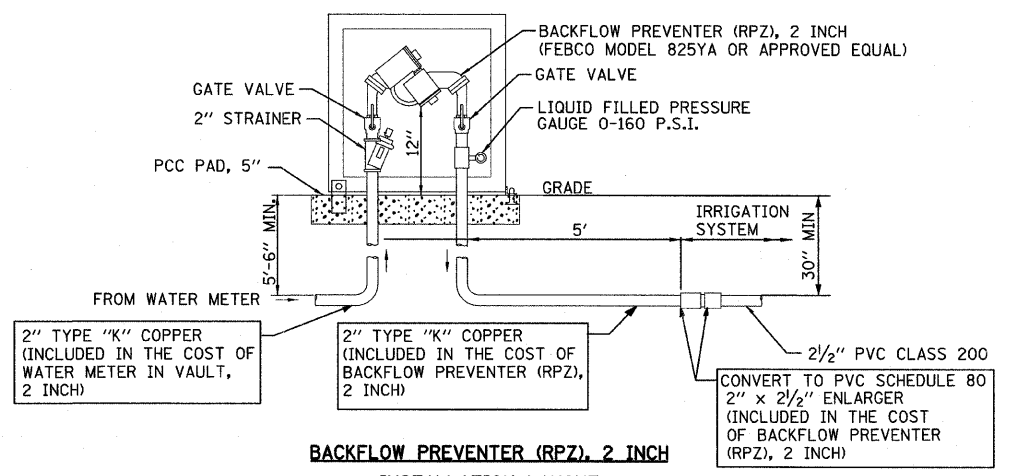


- | | |
|---|-------------------------------|
| A | FRAME AND LID (NEENAH R6662) |
| B | 2" TYPE "K" COPPER PIPE |
| C | FEMALE FLARED FITTING |
| D | BRASS BUSHING |
| E | BENT METER COUPLING |
| F | METER |
| G | FULL PORT CONTROL VALVE |
| H | MALE I.P.S. TO FLARED ADAPTER |
| I | ROUNDWAY |
| J | WATER VALVE ASSEMBLY |
| K | PRECAST CONCRETE VAULT |

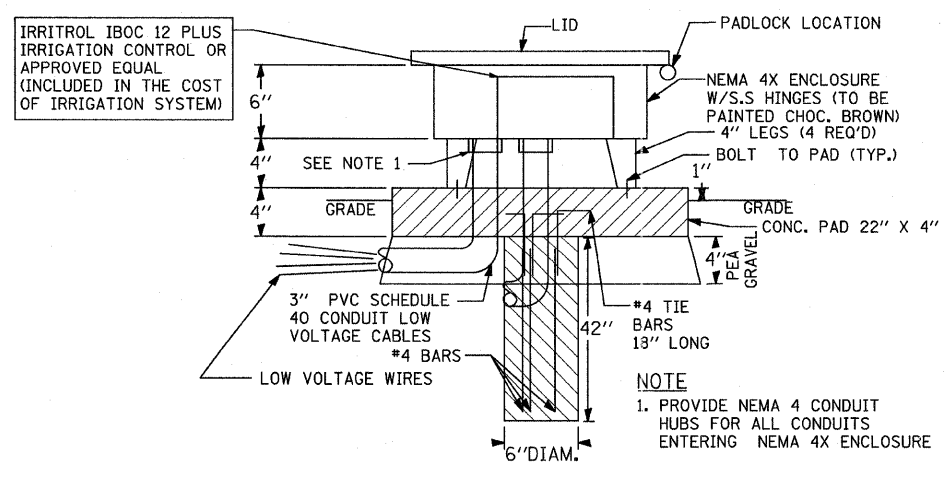
NEW COPPER 2" WATER SERVICE STANDARD METER VAULT
N.T.S.



DETAIL OF BACKFLOW PREVENTER (RPZ), 2 INCH ENCLOSURE AND BOLLARDS
N.T.S.



BACKFLOW PREVENTER (RPZ), 2 INCH INSTALLATION LAYOUT
N.T.S.



IRRIGATION CONTROLLER NEMA 4X ENCLOSURE - DETAIL
N.T.S.

NOTE
1. PROVIDE NEMA 4 CONDUIT HUBS FOR ALL CONDUITS ENTERING NEMA 4X ENCLOSURE

REVISIONS	
NAME	DATE

ILLINOIS DEPARTMENT OF TRANSPORTATION
F.A.I. 94 (DAN RYAN EXPRESSWAY)
MEDIAN PLANTERS - STANDARD METER VAULTS AND WATER SERVICE INSTALLATION DETAILS

SCALE: AS NOTED
DATE: JANUARY 30, 2008

DRAWN BY: JDF
CHECKED BY: JPM

1/29/2008 11:46:46 AM