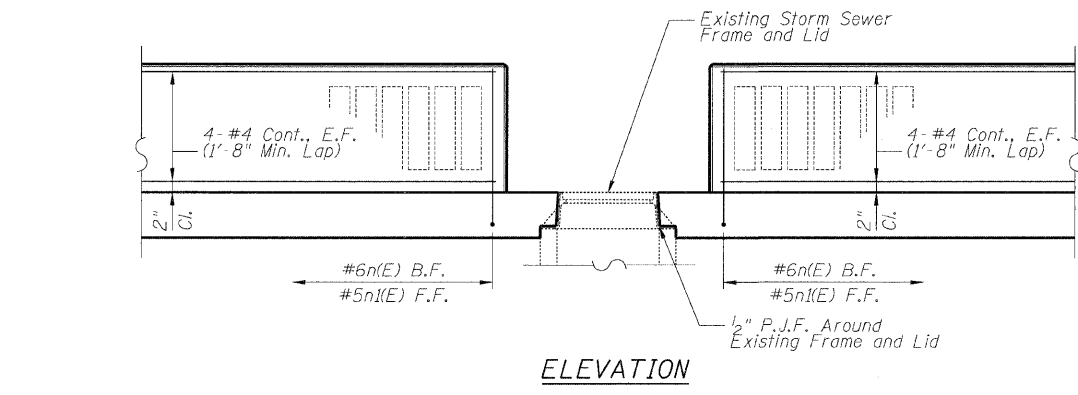
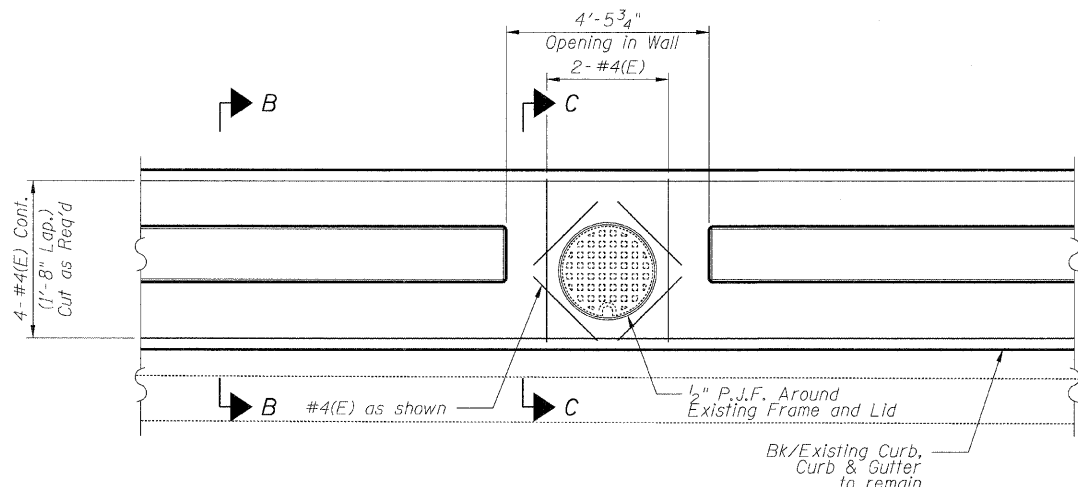


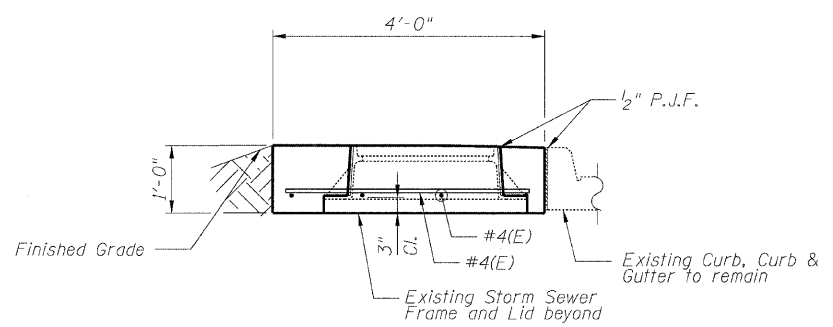
F.A.I.	SECTION	COUNTY	TOTAL SHEETS	SHEET NO.
94/90		COOK	37	19A
STA.	TO STA.			
FED. ROAD DIST. NO.	ILLINOIS	FED. AID PROJECT		
62992	(2323.6-2P&2324.6-1PI)			



ELEVATION



PLAN @ EXISTING STORM SEWER



SECTION C-C

NOTES:

1. All modifications shown on Detail D shall be included in the cast of Fluted Knee Wall.
2. See Sheet SD-1 for information and details not shown here.
3. Adjust California Finish as directed by Engineer.
4. Adjust dimensions to assure that a minimum of 6" of concrete is poured around the exist. storm sewer frame.
5. Center opening with center of frame and grate.

BOWMAN, BARRETT & ASSOCIATES INC.
CONSULTING ENGINEERS
Chicago, Illinois
312.228.0100
www.bbainc.com

REVISIONS	
NAME	DATE
REVISED	3-6-08

ILLINOIS DEPARTMENT OF TRANSPORTATION
F.A.I. 94/90 (DAN RYAN EXPRESSWAY)
NORTHBOUND KNEE WALLS (PERSHING RD TO 35TH ST)

DETAIL D

SCALE: N.T.S.
DATE: 03/06/08

DRAWN BY: PAH
CHECKED BY: BLU

SHEET SD-4

M:\660\road\94\NORTHBOUND KNEE WALLS\DETAILS\SD-4.DWG 7:55:51 PM 3/6/2008